

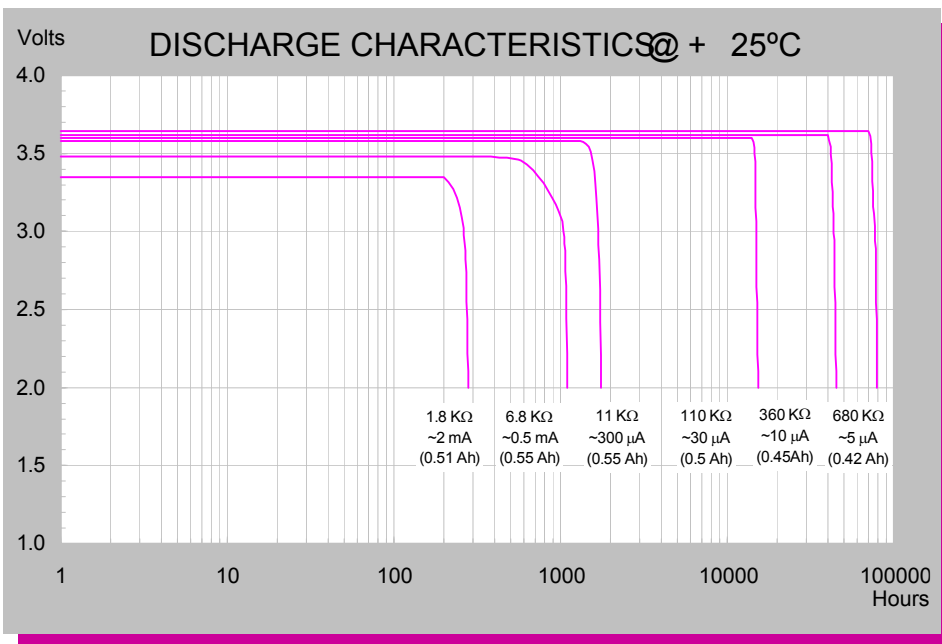
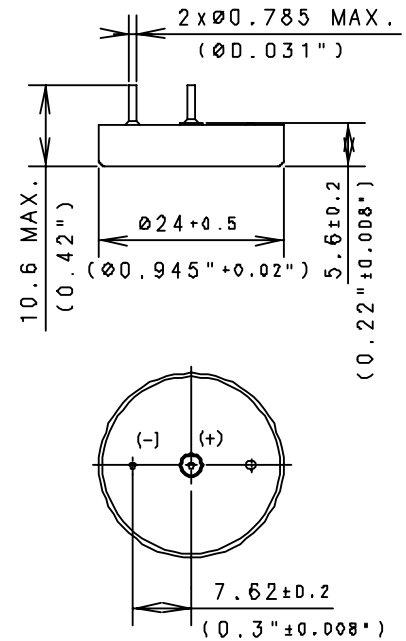
# MODEL TLH-2450

## TECHNICAL DATA

(Typical values @+25°C for batteries stored for one year or less)

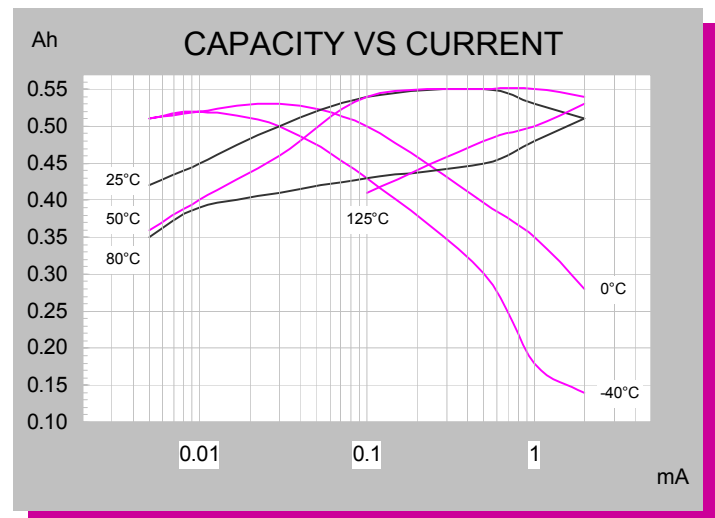
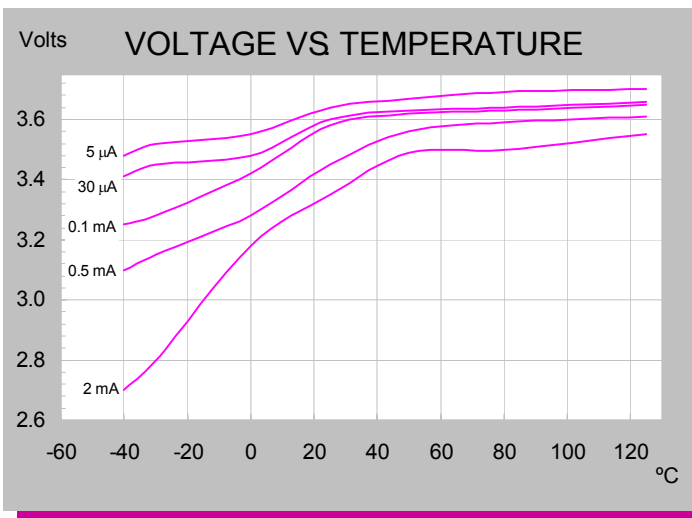
■ Nominal capacity @ 0.5 mA, to 2V	0.55 Ah
■ Rated voltage	3.6 V
■ Maximum recommended continuous current	5 mA
■ Maximum pulse current capability	10 mA
■ Weight	8.8g (0.310 oz)
■ Volume	2.60 cc
■ Operating temperature range	-55°C to +125°C
■ Maximum duration @ +150°C	3 hours
■ U.L. Component Recognition MH 12193	

## TADIRAN LITHIUM BATTERIES



### ADDITIONAL INFORMATION

SUFFIX- /P                      TIN PLATED NICKEL PINS  
 CATALOGUE NO.:                      15-2450-41532



## For Tire Pressure Monitoring Systems

Note: Any presentations in this data sheet concerning performance are for information purpose only and are not construed as warranties either expressed or implied, of future performance. ECN 1502262 Rev. B 02/11