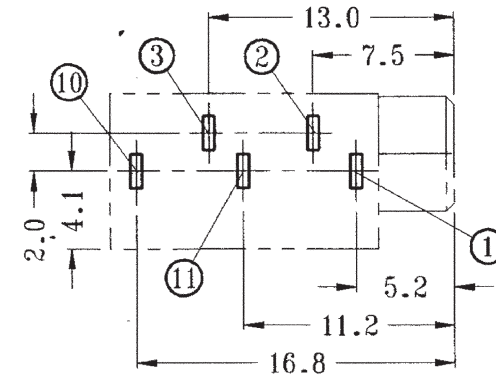
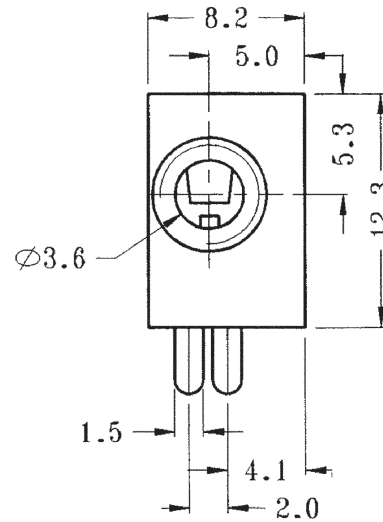
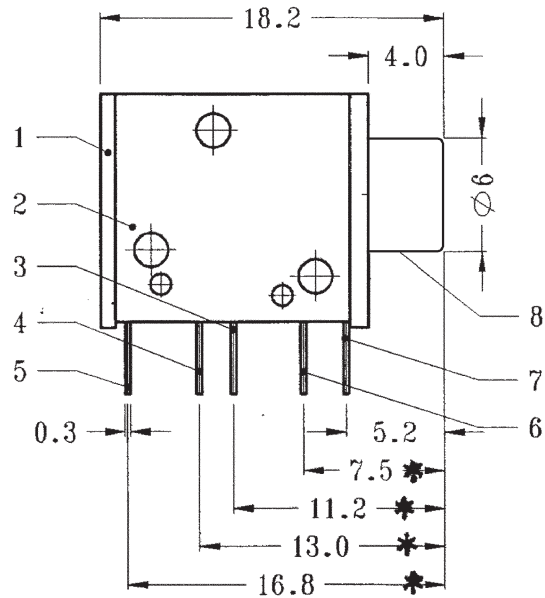
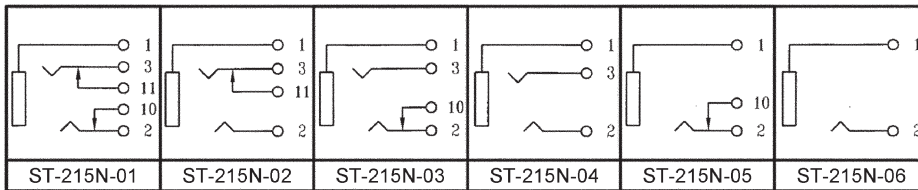


RoHS
Compliant
Drawing For
Reference Only



P.C.B LAYOUT



Technical requirement :

1. This product should meet EU RoHS related requirement.
2. The surface of plastic part should be without any crackle such as burr,lack,and so on phenomenon.
3. The surface of metal part should be without any defect such as scaur,nick,oxidation and plating problem.
4. The electronic performance should be the same as spec.
5. The un-specified tolerance is : $<6\pm 0.1$
 $6\sim 20\pm 0.2$
 $>20\pm 0.3$

9	Spring	Stainless Steel	2	Temper
8	Socket	Brass	1	Ni Plated
7	Terminal A	Brass Strip	1	Ag Plated Over Ni Plated
6	Spring Terminal A	PBS Strip	1	Ag Plated Over Ni Plated
5	Terminal C	Brass Strip	1	Ag Plated Over Ni Plated
4	Spring Terminal B	Brass Strip	1	Ag Plated Over Ni Plated
3	Terminal B	Brass Strip	1	Ag Plated Over Ni Plated
2	Cover	POM	1	Black
1	Case	POM	1	Black
No.	Part Name	Material	QTY	Finishing

DCI DRAGON CITY INDUSTRIES LIMITED

Design	K.W Law	Remark	Scale
Drawing	W.K Yeung	Remark	Material
Check	K.L Wong	Remark	Dwg No. 81202-0918
Approval	K.W Chan	Remark	Sheet

Item Name 3.5mm Phone Jack Tolerance :

Item No. ST-215N Unit : mm \pm $\frac{\square}{\triangle}$