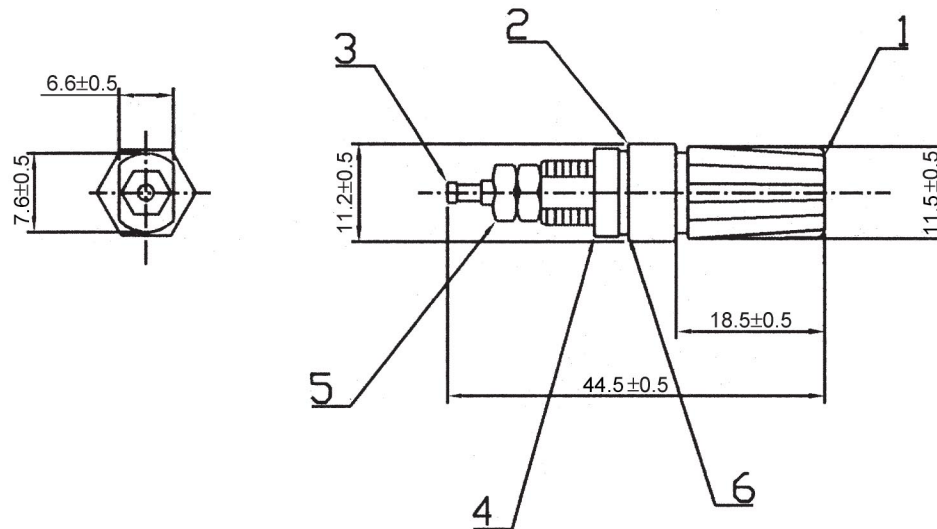


RoHS  
Compliant  
Drawing For  
Reference Only



Technical requirement :

1. This product should meet EU RoHS related requirement.
2. The surface of plastic part should be without any crackle such as burr, lack, and so on phenomenon.
3. The surface of metal part should be without any defect such as scour, nick, oxidation and plating problem.
4. The electronic performance should be the same as spec.
5. The un-specified tolerance is :  $<6\pm 0.1$   
 $6\sim 20\pm 0.2$   
 $>20\pm 0.3$

6	Washer	Steel	1	Ni Plated
5	Nut (Small)	Steel	1	Ni Plated
4	Nut (Large)	Steel	1	Ni Plated
3	Conductor	H59-1 Brass	1	Ni Plated
2	Base 2	ABS	1	-----
1	Base 1	ABS	1	-----
No.	Name	Material	QTY	Finishing

<b>DCI</b> DRAGON CITY INDUSTRIES LIMITED			Design	K.W Law	Remark	Scale
			Drawing	W.K Yeung	Remark	Material
Item Name	Binding Post	Tolerance :	Check	K.L Wong	Remark	Dwg No.
Item No.	BP-119-EN	Unit : mm $\varnothing$ $\nabla$	Approval	K.W Chan	Remark	Sheet
						A512071200