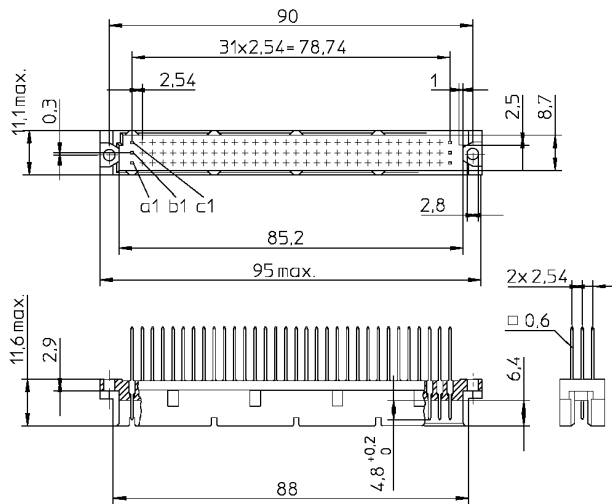
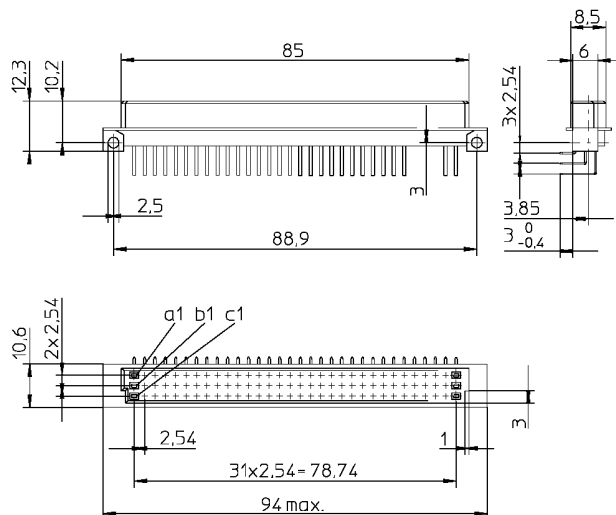


TWO-PART CONNECTORS FOR PRINTED BOARDS

MALE



FEMALE



TYPE R

Reversed
IEC 603
DIN 41612

MATERIALS

| | |
|-----------------|--|
| Connector body | Glass fiber filled polyester |
| Female contact | Phosphor bronze |
| Male contact | Copper alloy |
| Contact plating | Nickel all over + hard gold MIL-G-45204 B Type II (99.0 % gold minimum) Grade C (Knoop hardness 130-200) |

ELECTRIC DATA

| | | |
|-----------------------|---|-----------|
| Current rating | 1.5 A at 20 °C 1 A at 80 °C 0.75 A at 100 °C | |
| Proof voltage | Contact/contact 1000 V (rms) Contact/test panel 1550 V (rms) | |
| Insulation resistance | ≥ 10 ⁶ MΩ | |
| Contact resistance | ≤ 20 mΩ | |
| Minimum distance | | |
| between | Creepage | Clearance |
| - adjacent contacts | 1.2 mm | 1.2 mm |
| - contact and chassis | 1.8 mm | 1.6 mm |

PHYSICAL DATA

| | |
|-------------------|--|
| Temperature range | -55 °C...+125 °C |
| Flammability | UL 94 V-O |
| Insertion force | 32 pole ≤ 30 N 64 pole ≤ 60 N 96 pole ≤ 90 N |
| Retention force | ≥ 0.15 N/contact pair |

Mechanical endurance, salt mist, industrial atmosphere and other requirements according to IEC 603.

QUALITY DATA

Contact surfaces mechanically polished.
Dual-beam female contact profiled to trapezoidal form.

Frames, see sect. 8

VK or P – **R** **064** **M** **S** – **C1** **E** – **0,8** / **5** **-001**

| | | |
|----------|----------------------------|---|
| R | CONNECTOR TYPE | |
| | Three row body 1A Reversed | R |

| | | |
|---------------|--|-----|
| 064 | CONTACT ARRANGEMENT AND NUMBER OF POSITIONS | |
| | | 016 |
| | | 032 |
| | | 048 |
| | | 064 |
| | | 096 |
| | | A32 |
| | | B32 |
| | | X32 |
| | | B64 |
| Special types | | Z |

| | | |
|----------|------------------------|---|
| M | TYPE OF CONTACT | |
| | Female | F |
| | Male | M |

| | | |
|----------|----------------------------|---|
| S | TYPE OF TERMINATION | |
| | Solder | S |
| | Wrap | W |
| | Press-in | P |

| | | |
|-----------|--|--|
| C1 | Complete connector with contact finish of gold | |
|-----------|--|--|

| | | | | |
|--|--------------------------|---|----|---|
| A | TERMINATION STYLE | | | |
| | | F | MP | M |
| Right angle solder tail for 1.6 mm thick boards | A | | | |
| Straight solder tail for 1.6 mm thick boards | D | | | |
| Straight solder tail for 2.4 mm thick boards (Press-in from 1.5 to 4.0 mm) | E | | | |
| Wire wrap tail | F | | | |
| Wire wrap tail | H | | | |
| Wire wrap tail | L | | | |

| | | |
|------------|------------------------------------|--|
| 0,8 | CONTACT FINISH | |
| 0,8 | 0.8 µm hard gold over 2 µm nickel | |
| 1,25 | 1.25 µm hard gold over 2 µm nickel | |
| 2,5 | 2.5 µm hard gold over 3 µm nickel | |
| ... | other platings on request | |

| | | |
|----------|---|--|
| 5 | TERMINATION FINISH | |
| 1 | 1 µm tinlead over nickel on press-in area | |
| 5 | 5 µm tin over nickel | |
| 1,25 | 1.25 µm gold over nickel on contact area (5mm from the end) | |
| 0,1 | 0.1 µm gold over nickel | |
| ... | other platings on request | |

| | | |
|-------------|---|--|
| -001 | MARKING FOR SPECIAL TYPES | |
| Eg | First Make – Last Break Option: Male pins in any row may be extended 0.50 mm for ground before signal in types D and E. | |