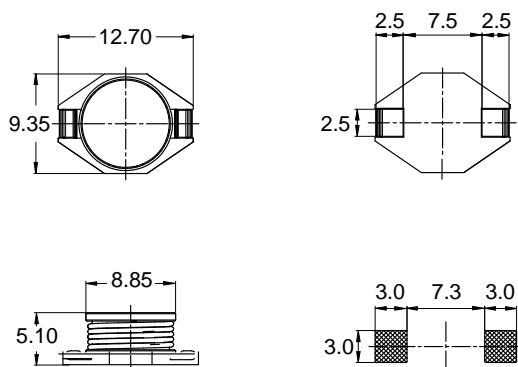
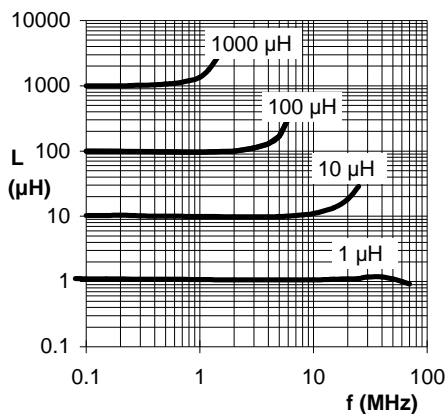


Series

Power Inductor SMD (Type M)

PISM



Recommended layout for solder pads

Ordering Code	L (μH)	f_L (MHz)	Tol. (%)	SRF min (MHz)	DC Res. max (Ω)	Rated DC Current		Material
						I_{sat} (A)*	$I_{\Delta T=15^\circ\text{C}}$ (A)*	
PISM-1R0M-04	1.0			115	0.008	10.0	6.9	Ferrite
PISM-1R5M-04	1.5			90	0.009	9.0	6.5	
PISM-2R2M-04	2.2			80	0.01	8.0	6.2	
PISM-3R3M-04	3.3			58	0.014	7.0	5.5	
PISM-4R7M-04	4.7			49	0.017	6.0	4.9	
PISM-6R8M-04	6.8			39	0.022	5.1	4.4	
PISM-100M-04	10			28	0.036	4.2	3.9	
PISM-150M-04	15			22	0.05	3.2	3.2	
PISM-220M-04	22			17	0.06	2.7	2.7	
PISM-330M-04	33	0.1	± 20	13	0.10	2.1	2.1	
PISM-470M-04	47			10	0.14	1.7	1.7	
PISM-680M-04	68			8.5	0.19	1.5	1.5	
PISM-101M-04	100			7	0.28	1.2	1.2	
PISM-151M-04	150			5.3	0.42	1.0	1.0	
PISM-221M-04	220			4.1	0.60	0.85	0.85	
PISM-331M-04	330			3.2	0.90	0.65	0.65	
PISM-471M-04	470			2.8	1.25	0.55	0.55	
PISM-681M-04	680			2.3	2.0	0.45	0.45	
PISM-102M-04	1000			1.7	2.7	0.35	0.35	

* explanation and packing specification see page 43

Sample Kits available: each 10 pcs. per value tolerance $\pm 5\%$ Order no. **SK PISM**
Tighter tolerance and individual sample kits on request