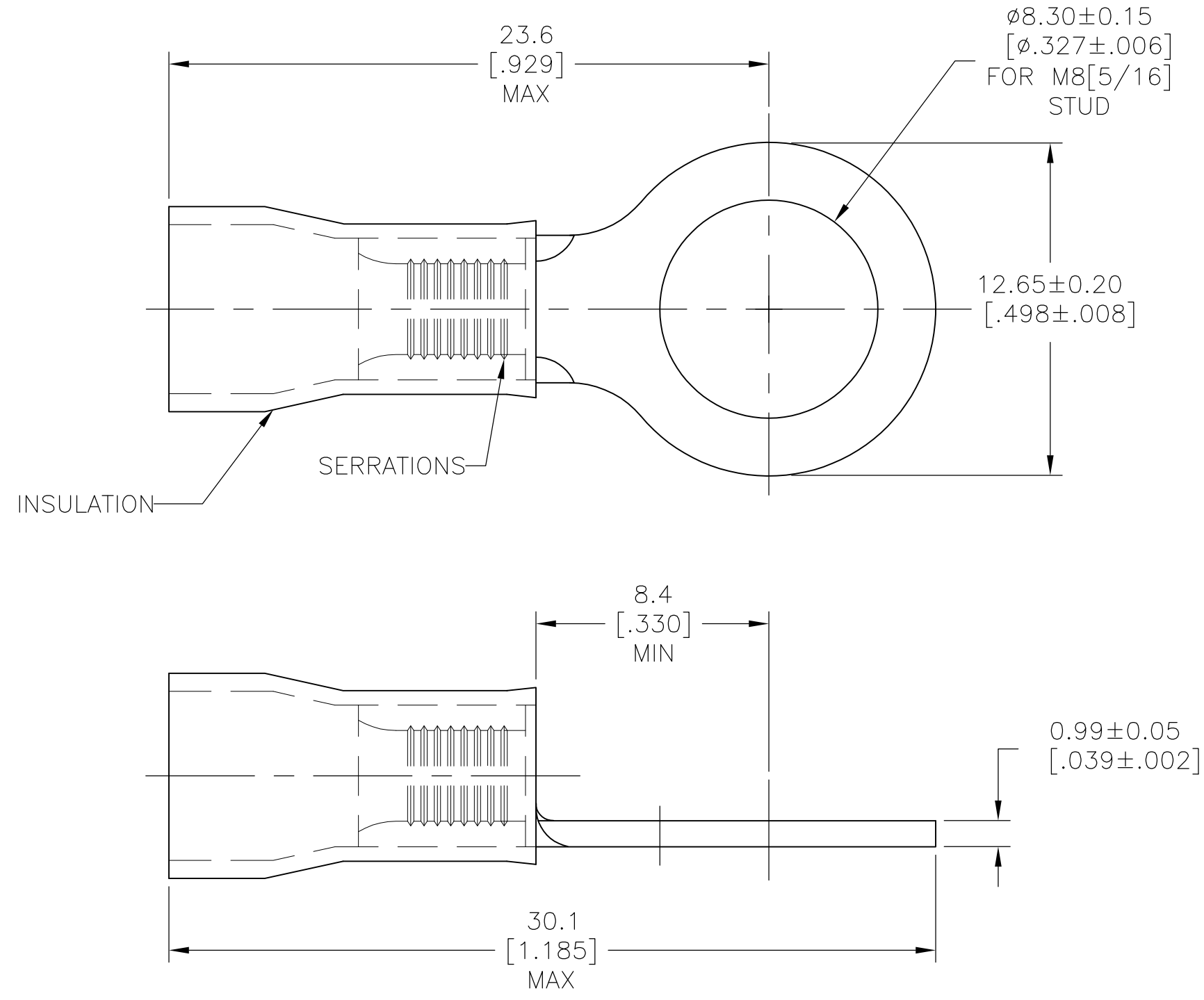


THIS DRAWING IS UNPUBLISHED. RELEASED FOR PUBLICATION
 © COPYRIGHT - By - ALL RIGHTS RESERVED.

LOC	DIST	REVISIONS			
P	LTR	DESCRIPTION	DATE	DWN	APVD
G	02	A1	REVISED PER ECO-11-020548	06FEB12	KH DR



- 1 COPPER PER ASTM B152
- 2 INSULATION: PVC, YELLOW
- 3 TIN PLATE PER ASTM B545
- 3. FOR 3.80[.150] TO 6.30[.248] MAX INSULATION DIAMETER

OBSOLETE	-	-	2-160296-1
	500	LOOSE PIECE	160296
	QTY	PACKAGE TYPE	PART NO

THIS DRAWING IS A CONTROLLED DOCUMENT.		DWN KIRAN HOLAL 06FEB12	STE TE Connectivity	
DIMENSIONS: mm [INCHES]		CHK ROHDE DANIEL 06FEB12		
TOLERANCES UNLESS OTHERWISE SPECIFIED:		APVD ROHDE DANIEL 06FEB12	NAME	
0 PLC ± -		PRODUCT SPEC	RING TONGUE ,TERMINAL PLASTI GRIP	
1 PLC ± -		APPLICATION SPEC	WIRE SIZE: 12-10 AWG	
2 PLC ± -		WEIGHT	SIZE	CAGE CODE
3 PLC ± -			A3	00779
4 PLC ± -			DRAWING NO	RESTRICTED TO
ANGLES ± -			C-160296	-
FINISH		CUSTOMER DRAWING		
1	2	SCALE	SHEET	REV
		5:1	1 OF 1	A1