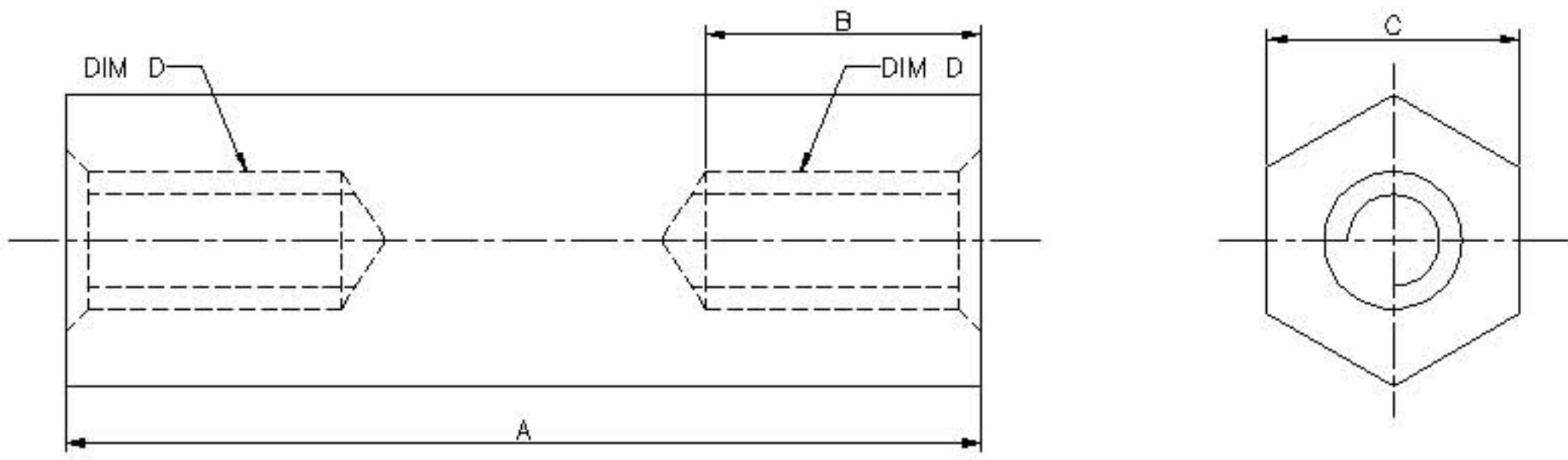


REV.	DESCRIPTION	DRAWN	CHECKED	APPROVED
A	NEW RELEASE	LJC 06/18/05'		



NOTES:

- 1.Materials: Copper alloy.
- 2:Plating: Nickel plating.
- 3:Part number code:  
H - LXXXX - XXXX -5 -03 - 2N  
- Thread type: DIM D  
03: M3.0  
- DIM C:  
5:  $\phi 5.5\text{mm}$   
- DIM B:  
0600: 6.0mm  
- DIM A:  
0600: 6.0mm  
4000: 40.0mm

GENERAL TOLERANCE	ANGLE TOLERANCE	PROJECTION		TITLE	Screws		
X, $\pm 0.30$	X, $\pm 2^\circ$	UNITS	mm	SERIES	Hardwares SERIES		
.X $\pm 0.20$	.X $\pm 1^\circ$	SHEET SIZE	A4				
.XX $\pm 0.15$	.XX $\pm 0.5^\circ$	<b>晨翔电子有限公司</b> <b>CONNPLY CONNPLY ELECTRONIC CO. LTD</b>					
DRAWING TYPE	CUSTOMER DRAWING						
SCALE	1:1						SHEET 1 OF 1
DRAWING NO.	H-LXXXX-XXXX-5-03-2N						