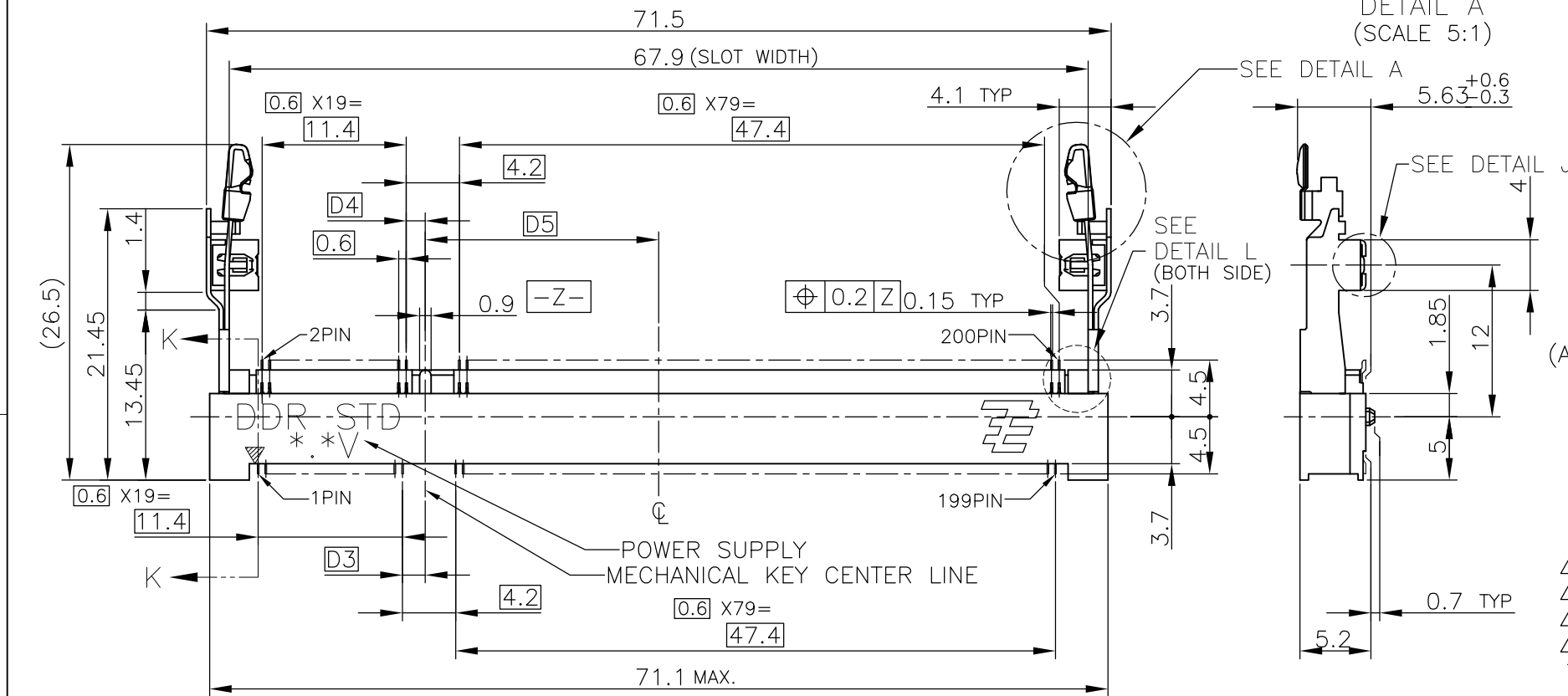
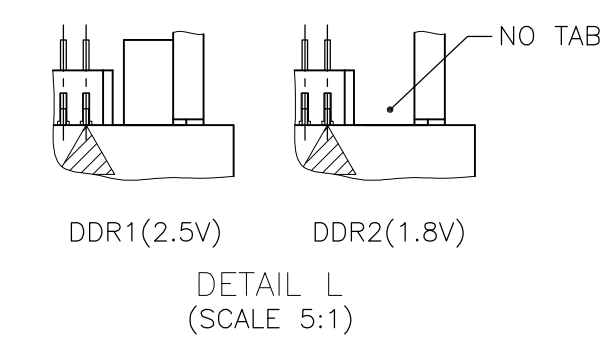
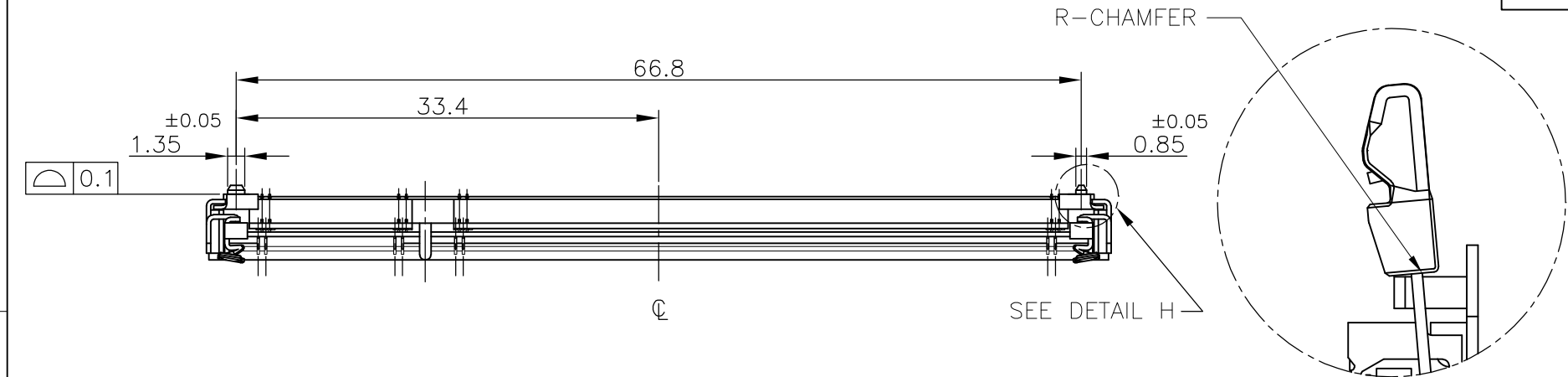
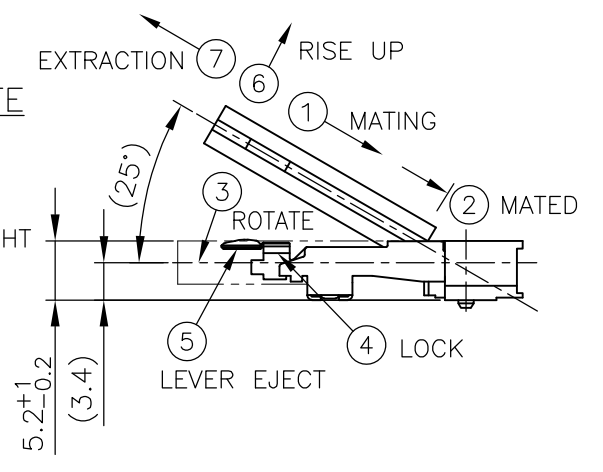


THIS DRAWING IS UNPUBLISHED. RELEASED FOR PUBLICATION OCT. 2001.  
 © COPYRIGHT 2001 By - ALL RIGHTS RESERVED.

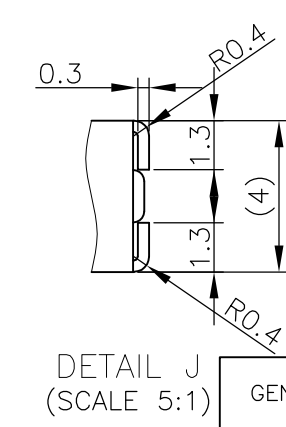
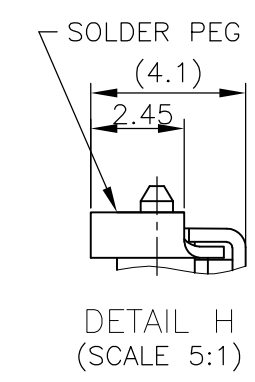
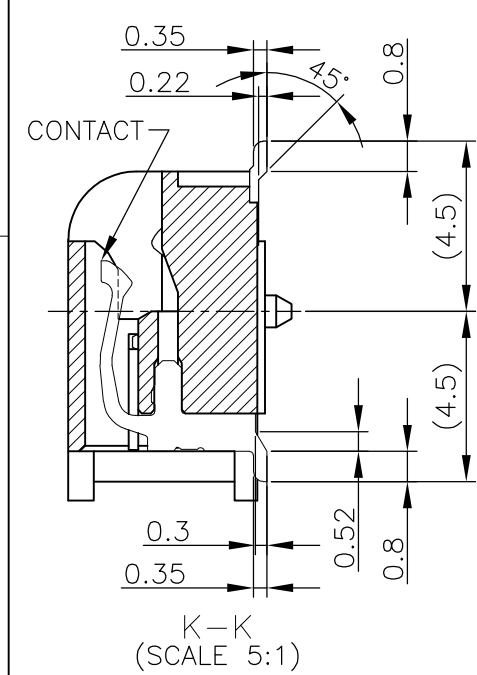
| LOC | DIST | REVISIONS   |                           |         |        |
|-----|------|-------------|---------------------------|---------|--------|
| P   | LTR  | DESCRIPTION | DATE                      | DWN     | APVD   |
| J   | /    | K3          | REVISED PER ECO-11-005033 | 28MAR11 | RK HMR |



HOW TO MATE AND UNMATE  
 MATE: ① → ④  
 UNMATE: ⑤ → ⑦



- (APPLIED TO SHEET 1-2)
- MATERIAL ; HOUSING: HIGH TEMPERATURE THERMO PLASTIC UL94V-0  
 CONTACT: COPPER ARROY  
 LOCK LEVER STAINLESS STEEL  
 SOLDER PEG: COPPER ARROY
  - FINISH ; CONTACT AREA: GOLD FLASH ON 0.0013MIN ALL OVER NICKEL.  
 SOLDERING AREA: GOLD FLASH PLT.  
 SOLDER PEG: TIN PLATING.
- ⚠ MECHANICAL KEY POSITION OF CONNECTOR SEE TABLE.  
 ⚠ TOLERANCES NON-CUMULATIVE.  
 ⚠ NOT TO SCALE.  
 ⚠ [ ] INSIDE MUST BE RESIST COAT EXCEPT SOLDER PATTERN.  
 7. IF THE MODULE DOESN'T INSERT AND LOCK IN THE LATCH SMOOTHLY,  
 OPEN WIDE BOTH LATCHES BY MANUAL. AND THE MODULE MUST BE  
 INSERTED AND LOCKED IN THE LATCH.



GENERAL TOLERANCE  
 10 ≥ : ±0.2  
 30 ≥ > 10 : ±0.25  
 100 ≥ > 30 : ±0.3  
 ANGLES : ±3°

|  |                |  |            |   |         |               |             |
|--|----------------|--|------------|---|---------|---------------|-------------|
| TIN PLATING                            | AVAILABLE      | 1.8V (DDR2)                            | 17.55      | 2.4   | 2.7     | 200           | 1-1473149-4 |
|  | AVAILABLE      | 1.8V (DDR2)                            | 17.55      | 2.4   | 2.7     | 200           | 1473149-4   |
|  | AVAILABLE      | 2.5V (DDR1)                            | 18.45      | 1.5   | 1.8     | 200           | 1473149-1   |
| REMARK (PEG)                           | TOOLING STATUS | POWER SUPPLY                           | D5         | D4  | D3      | POS           | PART NO.    |
| THIS DRAWING IS A CONTROLLED DOCUMENT. |                | DWN                                    | T.FUMIKURA |   | 16JAN02 |               |             |
|  |                | CHK                                    | T.KUSUHARA |   | 17JAN02 |               |             |
|  |                | APVD                                   | I.ENOMOTO  |   | 17JAN02 |               |             |
| DIMENSIONS: MM                         |                | TOLERANCES UNLESS OTHERWISE SPECIFIED: |            | NAME  |         |               |             |
| 0 PLC ±                                |                | 1 PLC ±                                |            | TE Connectivity                                 |         |               |             |
| 2 PLC ±                                |                | 3 PLC ±                                |            | DDR1 & DDR2 SODIMM SOCKET                       |         |               |             |
| 4 PLC ±                                |                | ANGLES ±                               |            | 0.6mm PITCH 200POS                              |         |               |             |
| FINISH                                 |                |  |            | STANDARD PROFILE STANDARD TYPE (NEW LATCH TYPE) |         |               |             |
| MATERIAL                               |                |  |            | SIZE  |         | RESTRICTED TO |             |
|  |                |  |            | A300779   |         | -             |             |
|  |                |  |            | C-1473149                                       |         |               |             |
|  |                | WEIGHT                                 |            | 4.7g  |         |               |             |
|  |                | CUSTOMER DRAWING                       |            | SCALE   |         | SHEET         |             |
|  |                |  |            | 2:1   |         | 1 OF 4        |             |
|  |                |  |            |   |         | REV           |             |
|  |                |  |            |   |         | K3            |             |

THIS DRAWING IS UNPUBLISHED.

RELEASED FOR PUBLICATION

OCT ,2001.

© COPYRIGHT 2001 By -

ALL RIGHTS RESERVED.

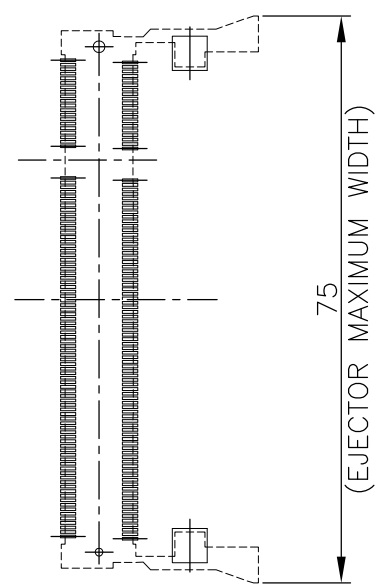
LOC J

DIST

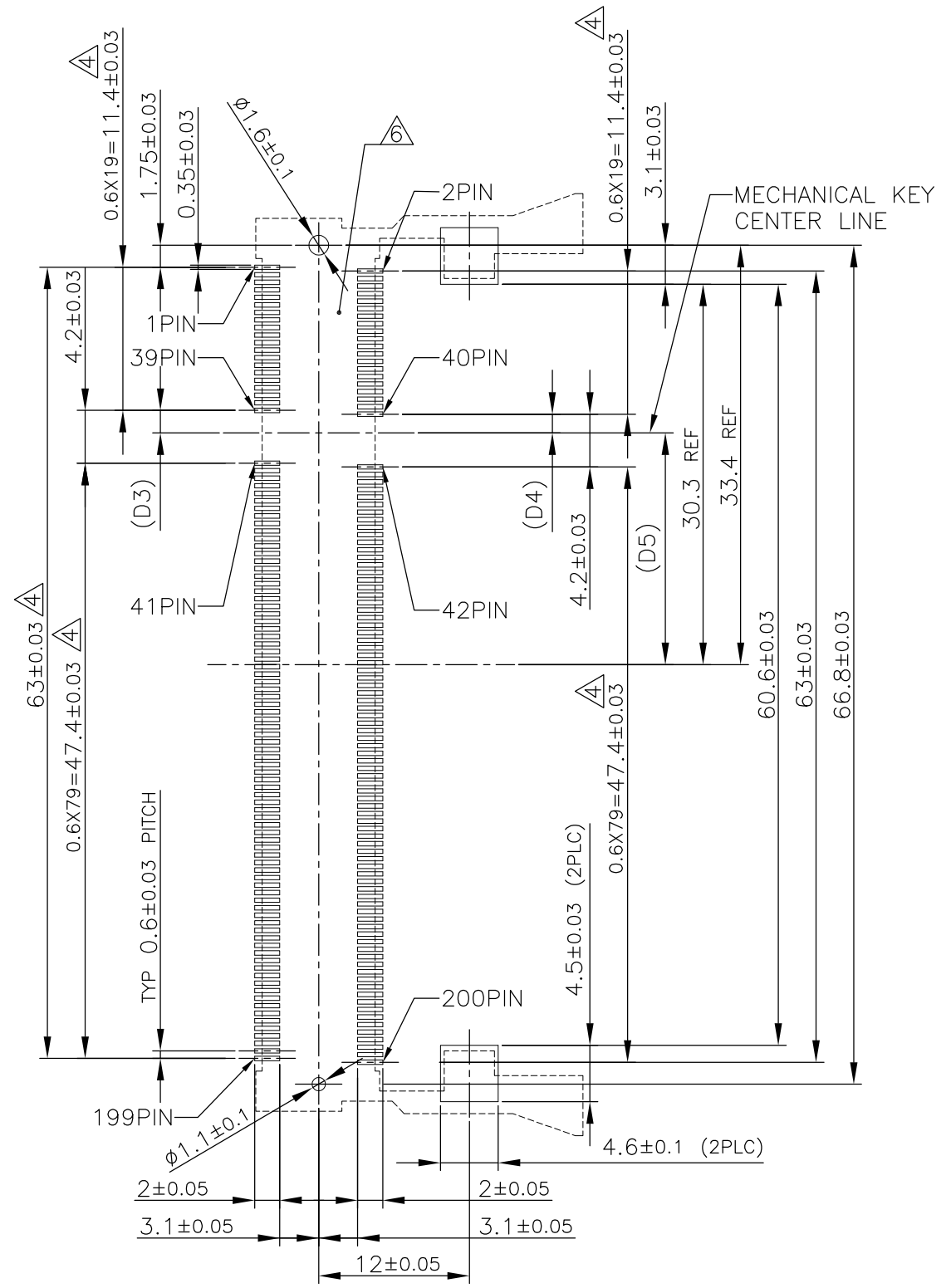
REVISIONS

| P | LTR | DESCRIPTION | DATE | DWN | APVD |
|---|-----|-------------|------|-----|------|
| - | -   | SEE SHEET 1 | -    | -   | -    |

# REFERENCE P.C.BOARD PATTERN LAYOUT (CONNECTOR MOUNTING SIDE)



REAL SIZE (SCALE 1:1)



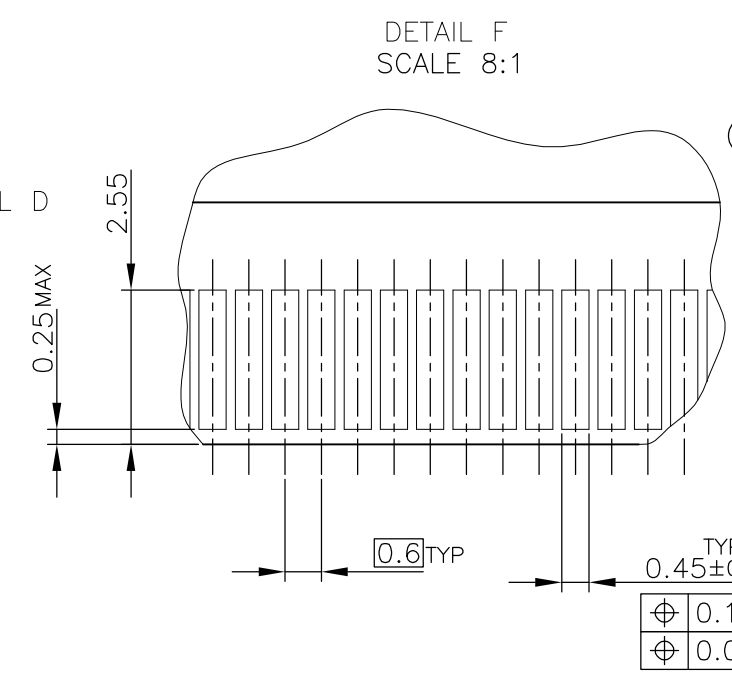
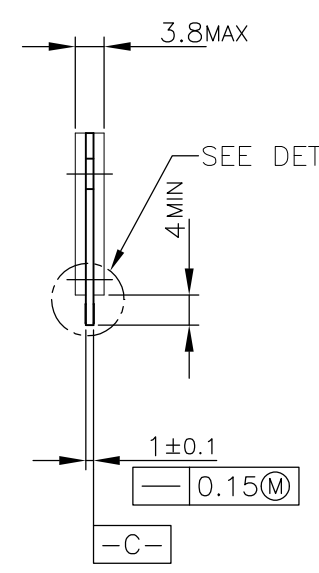
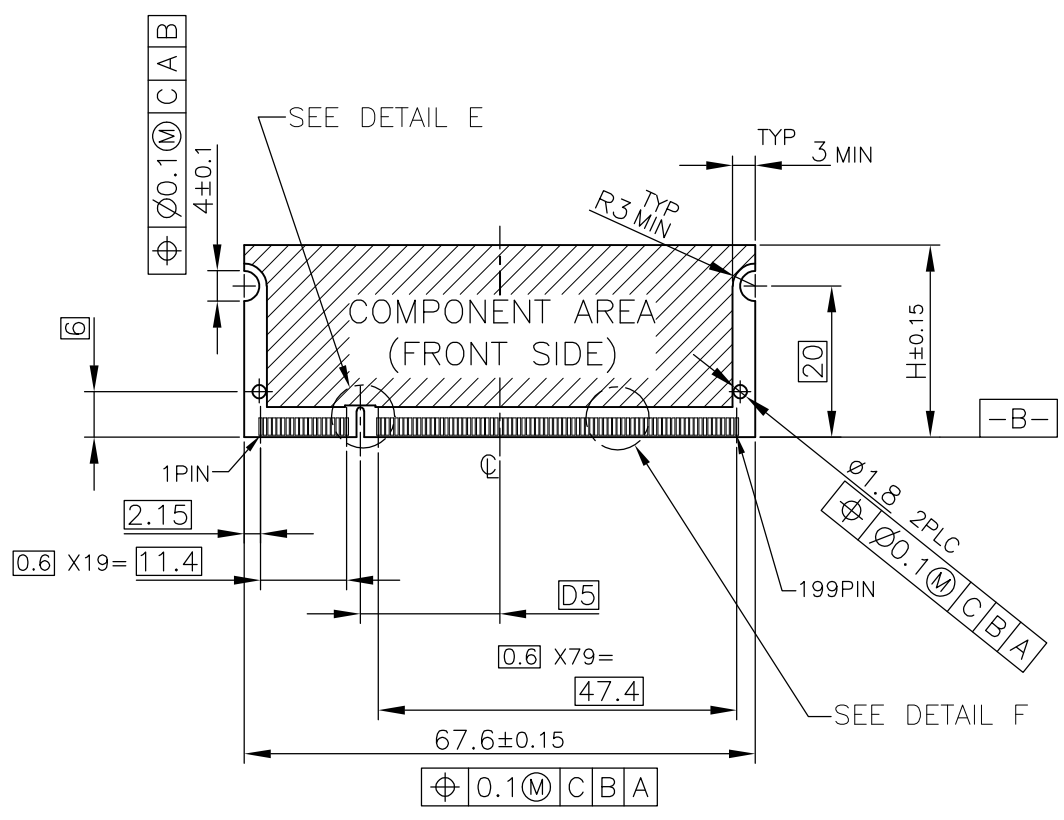
|              |       |     |     |
|--------------|-------|-----|-----|
| 1.8V         | 17.55 | 2.4 | 2.7 |
| 2.5V         | 18.45 | 1.5 | 1.8 |
| POWER SUPPLY | D5    | D4  | D3  |

|  |  |
|--|--|
| THIS DRAWING IS A CONTROLLED DOCUMENT. |  |
| DIMENSIONS:<br>MM                      | TOLERANCES UNLESS OTHERWISE SPECIFIED: |
|  | 0 PLC ±                                |
|  | 1 PLC ±                                |
|  | 2 PLC ±                                |
|  | 3 PLC ±                                |
|  | 4 PLC ±                                |
|  | ANGLES ±                               |
| MATERIAL                               | FINISH                                 |

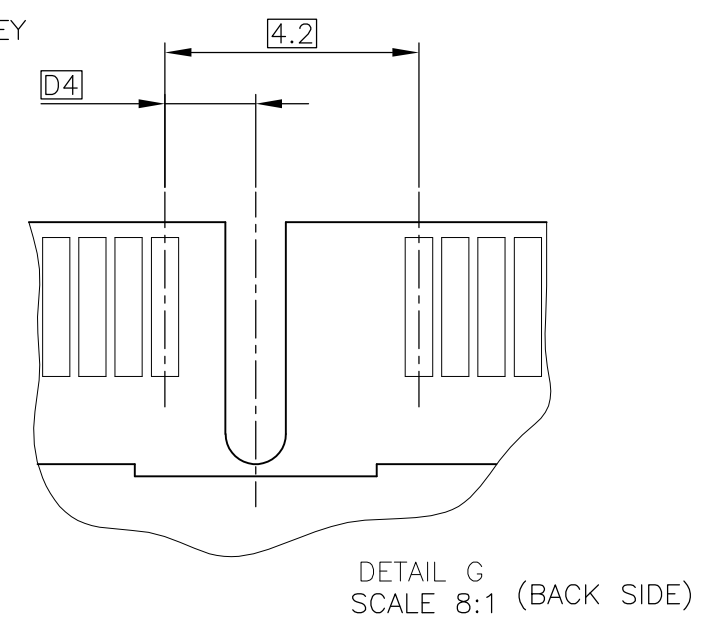
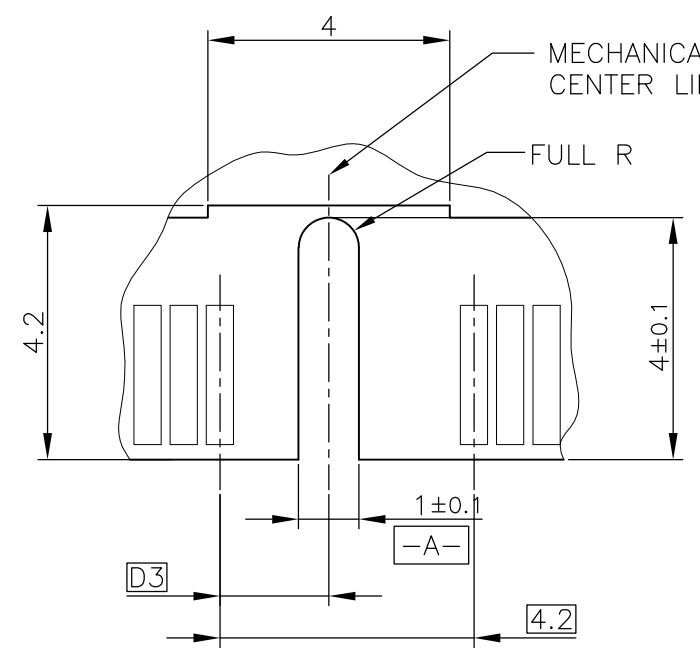
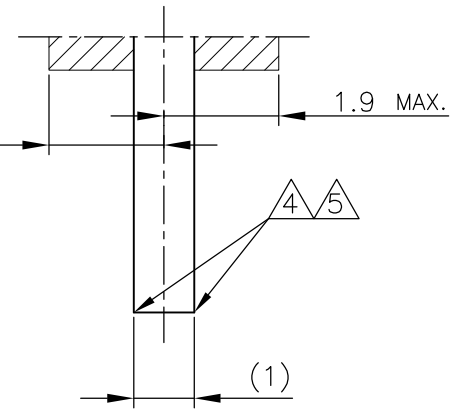
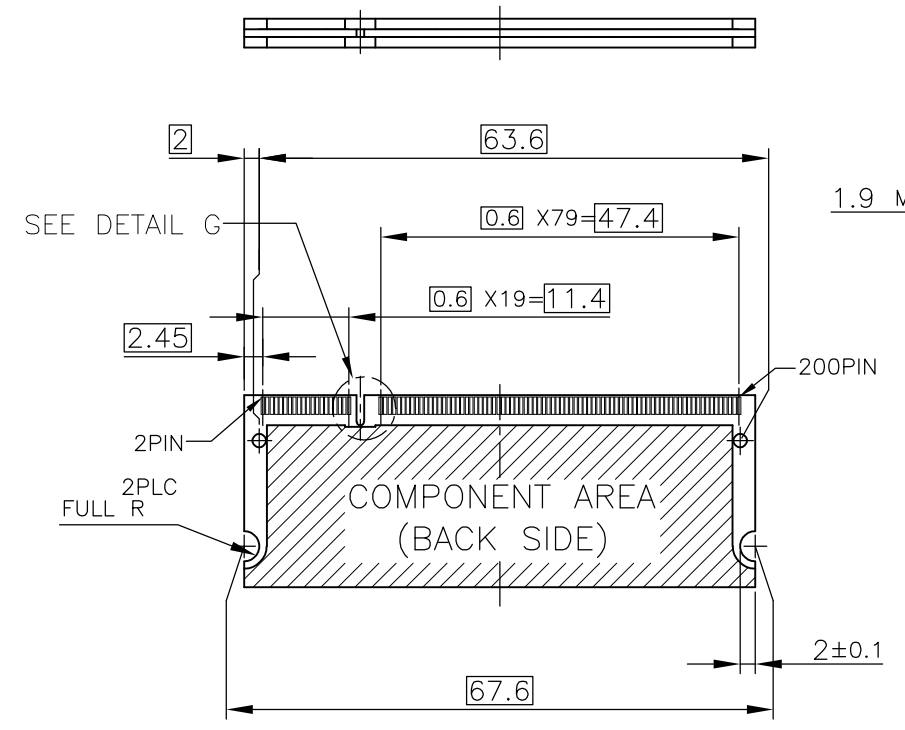
|                  |   |   |            |
|------------------|---|---|------------|
| DWN              |   | TE Connectivity                                 |            |
| CHK              |   | NAME  |            |
| APVD             |   | DDR1 & DDR2 SODIMM SOCKET<br>0.6mm PITCH 200POS |            |
| PRODUCT SPEC     | STANDARD PROFILE STANDARD TYPE (NEW LATCH TYPE) |   |            |
| APPLICATION SPEC | SIZE  | CAGE CODE                                       | DRAWING NO |
| WEIGHT           | A3  | 00779   | C-1473149  |
| CUSTOMER DRAWING |   | SCALE   | SHEET      |
|                  |   | 2:1   | 2 OF 4     |
|                  |   | REV   | K3         |

THIS DRAWING IS UNPUBLISHED. RELEASED FOR PUBLICATION OCT. 2001.  
 © COPYRIGHT 2001 By - ALL RIGHTS RESERVED.

| LOC | DIST | REVISIONS   |      |     |      |
|-----|------|-------------|------|-----|------|
| P   | LTR  | DESCRIPTION | DATE | DWN | APVD |
| J   | /    | SEE SHEET 1 | -    | -   | -    |



- (APPLIED TO SHEET 3)
1. TOLERANCES ON ALL DIMENSIONS ±0.15 UNLESS OTHERWISE SPECIFIED.
  2. P.C. BOARD THICKNESS APPLIES ACROSS TABS AND INCLUDES PLATING AND/OR METALIZATION.
  3. FINISH OF PAD : GOLD PLATING 0.00076 MIN. OVER Ni PLATING 0.002MIN.
- △ NO BURR  
 △ CHAMFER 0.25 MAX x 45° IF EXIST.



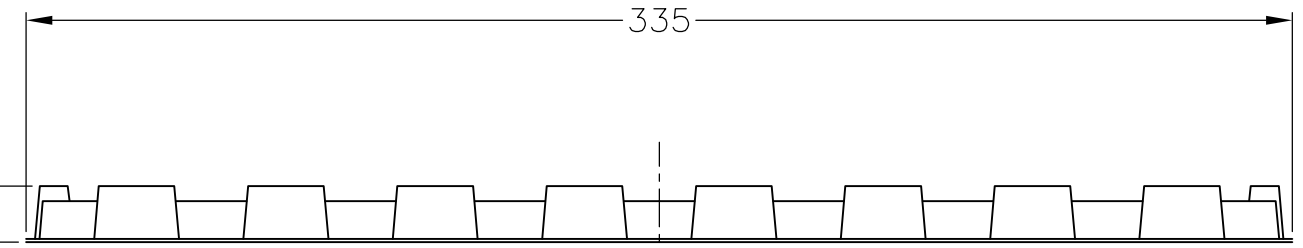
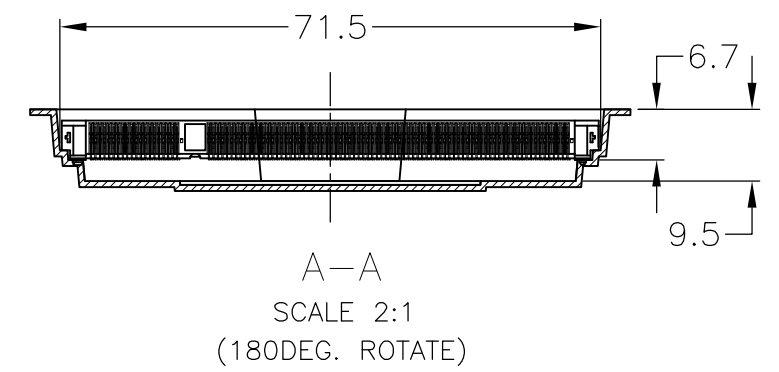
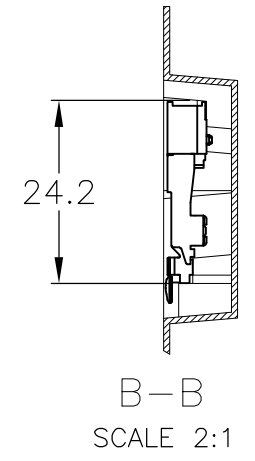
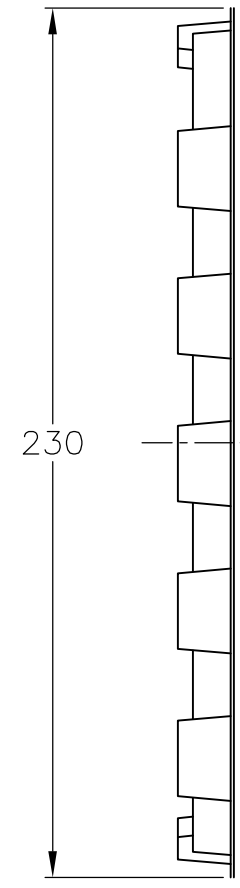
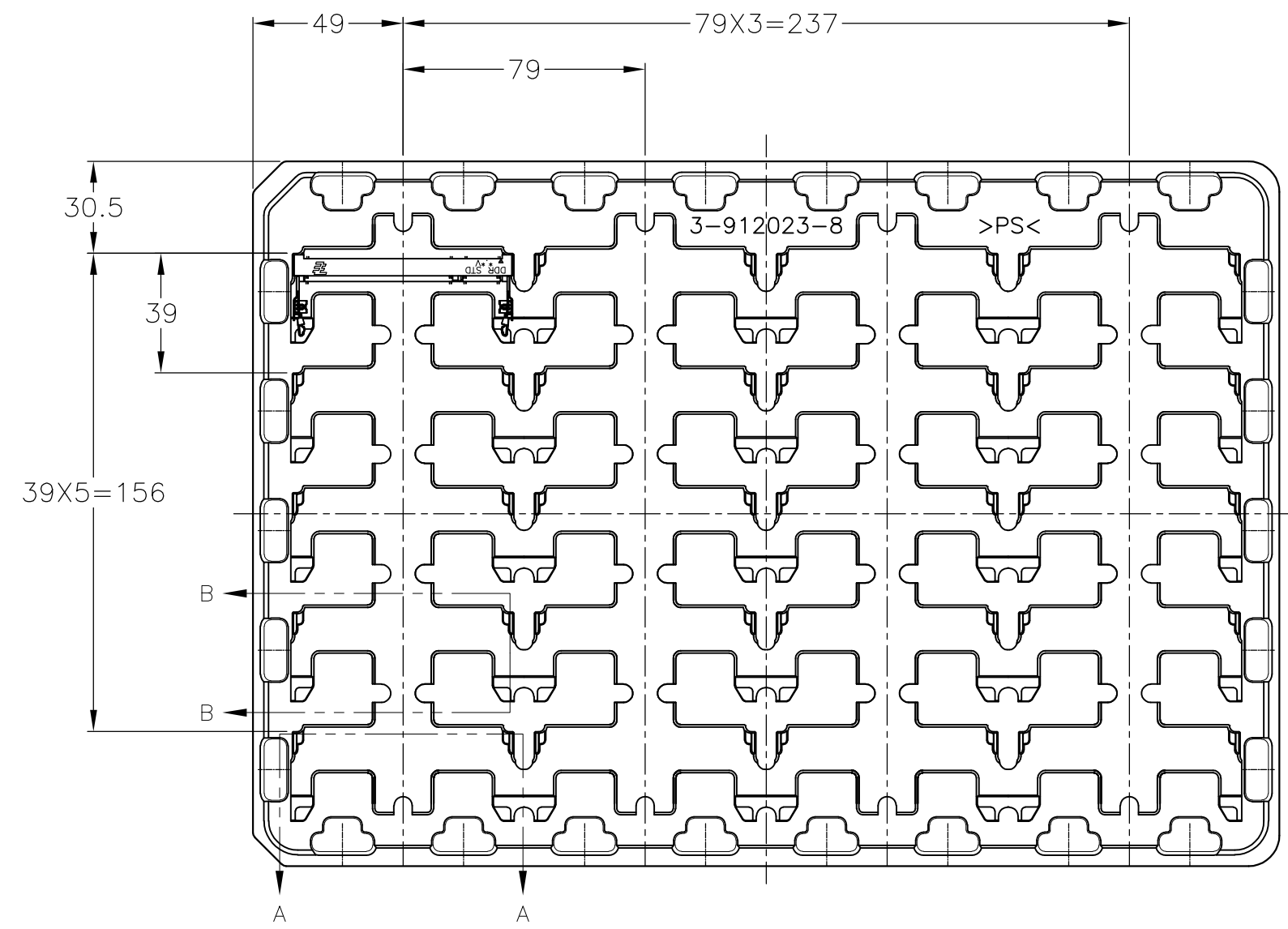
RECOMMENDED MATING P.C.B CONFIGURATION

|       |              |       |     |     |
|-------|--------------|-------|-----|-----|
| 31.75 | 1.8V         | 17.55 | 2.4 | 2.7 |
| 25.4  | 2.5V         | 18.45 | 1.5 | 1.8 |
| H     | POWER SUPPLY | D5    | D4  | D3  |

|  |  |              |  |   |  |
|--|--|--------------|--|---|--|
| THIS DRAWING IS A CONTROLLED DOCUMENT.   |  | DWN          |  | TE Connectivity<br>NAME<br>DDR1 & DDR2 SODIMM SOCKET<br>0.6mm PITCH 200POS<br>STANDARD PROFILE STANDARD TYPE (NEW LATCH TYPE) |  |
| DIMENSIONS: MM   |  | CHK          |  |   |  |
| TOLERANCES UNLESS OTHERWISE SPECIFIED:   |  | APVD         |  |   |  |
| 0 PLC ±<br>1 PLC ±<br>2 PLC ±<br>3 PLC ±<br>4 PLC ±<br>ANGLES ±<br>MATERIAL FINISH |  | PRODUCT SPEC |  |   |  |
| MATERIAL   |  | APVD         |  | APPLICATION SPEC  |  |
| MATERIAL   |  | WEIGHT       |  | SIZE  |  |
| MATERIAL   |  | WEIGHT       |  | CAGE CODE   |  |
| MATERIAL   |  | WEIGHT       |  | DRAWING NO  |  |
| MATERIAL   |  | WEIGHT       |  | RESTRICTED TO   |  |
| MATERIAL   |  | WEIGHT       |  | A300779 C-1473149   |  |
| MATERIAL   |  | WEIGHT       |  | SCALE 2:1   |  |
| MATERIAL   |  | WEIGHT       |  | SHEET 3 OF 4  |  |
| MATERIAL   |  | WEIGHT       |  | REV K3  |  |

THIS DRAWING IS UNPUBLISHED. RELEASED FOR PUBLICATION OCT , 2001.  
 © COPYRIGHT 2001 By - ALL RIGHTS RESERVED.

| LOC | DIST | REVISIONS   |      |     |      |
|-----|------|-------------|------|-----|------|
| P   | LTR  | DESCRIPTION | DATE | DWN | APVD |
| J   | /    | SEE SHEET 1 | -    | -   | -    |



|        |           |             |
|--------|-----------|-------------|
| DDR2   | 20EA/TRAY | 1-1473149-4 |
| DDR2   | 20EA/TRAY | 1473149-4   |
| DDR1   | 20EA/TRAY | 1473149-1   |
| REMARK | QTY       | P/N         |

14.8

- (APPLIED TO SHEET 4)
- 1 THE DIRECTION OF EACH CONNECTOR ON A TRAY IS REFERRED TO THIS DRAWING.
  - 2 GENERAL TOLERANCE: ±0.5

|   |  |              |   |           |            |               |
|---|--|--------------|---|-----------|------------|---------------|
| THIS DRAWING IS A CONTROLLED DOCUMENT.                                      |  | DWN          | TE Connectivity<br>NAME<br>DDR1 & DDR2 SODIMM SOCKET<br>0.6mm PITCH 200POS<br>STANDARD PROFILE STANDARD TYPE (NEW LATCH TYPE) |           |            |               |
| DIMENSIONS: MM  |  | CHK          |   |           |            |               |
| TOLERANCES UNLESS OTHERWISE SPECIFIED:                                      |  | APVD         |   |           |            |               |
| 0 PLC ±<br>1 PLC ±<br>2 PLC ±<br>3 PLC ±<br>4 PLC ±<br>ANGLES ±<br>FINISH ± |  | PRODUCT SPEC |   |           |            |               |
| MATERIAL  |  | APPLIC. SPEC | SIZE  | CAGE CODE | DRAWING NO | RESTRICTED TO |
|   |  | WEIGHT       | A300779   |           | C-1473149  | -             |
| CUSTOMER DRAWING  |  |              | SCALE   | SHEET     | REV        |               |
|   |  |              | 1:2   | 4 OF 4    | K3         |               |

# Mouser Electronics

Authorized Distributor

Click to View Pricing, Inventory, Delivery & Lifecycle Information:

[TE Connectivity:](#)

[1473149-4](#)