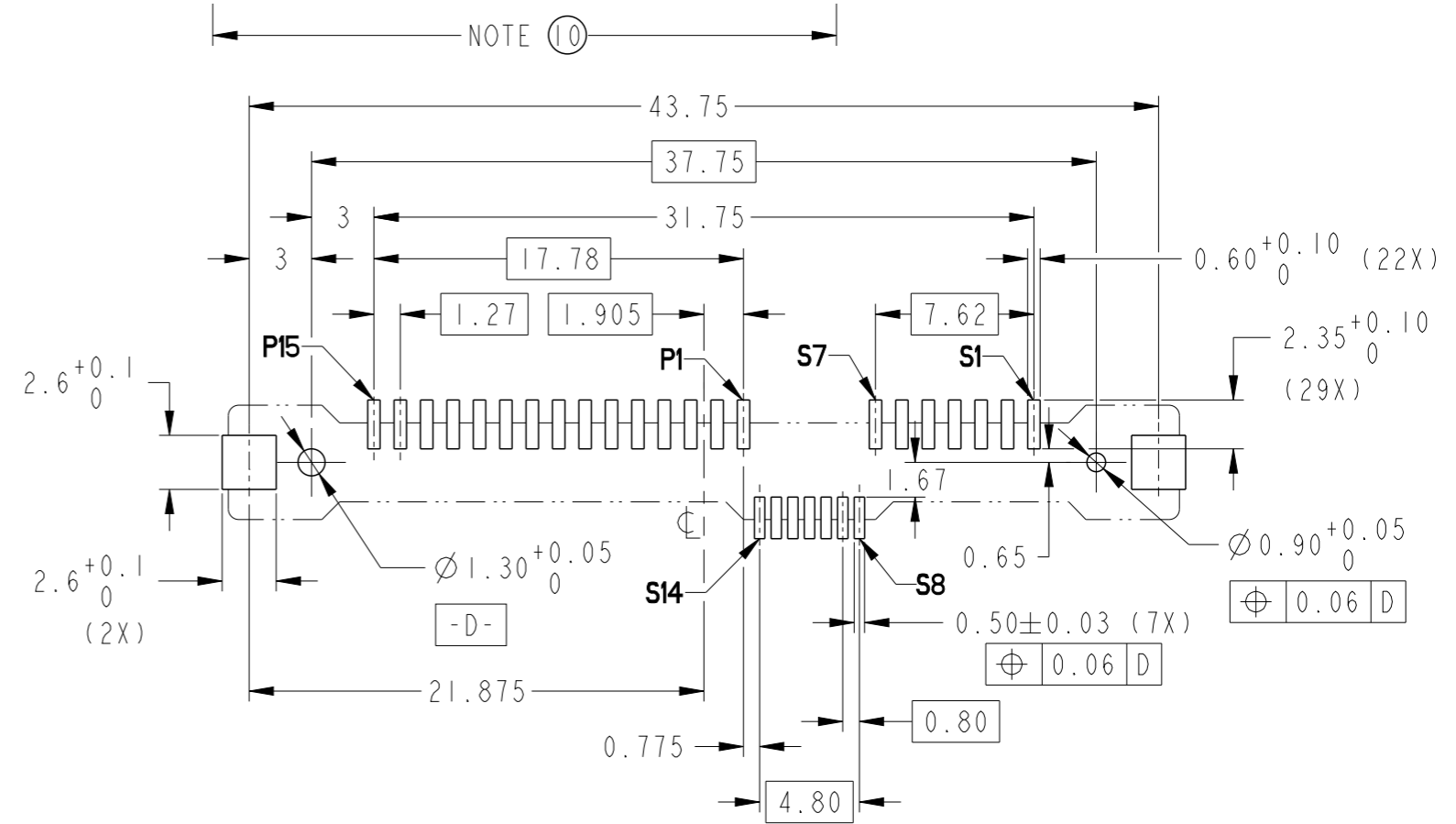


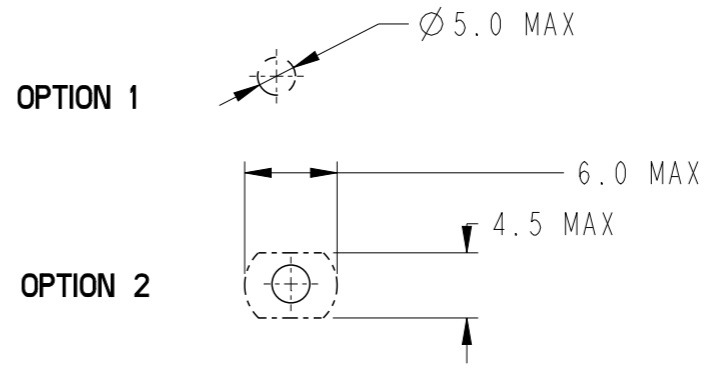
| | | | | | | | |
|--------------------|------------|---------|-------------|-------------|--------------|--------------------|---------|
| PRODUCT NUMBER | METAL CLIP | PLATING | PICK-UP CAP | PACKAGING | REMARKS | PRODUCT NUMBER | PLATING |
| 10120818-001LF | 2 PCS | NOTE ② | NO | TRAY | NOTE ⑧ | 10120818-401LF | NOTE ⑩ |
| 10120818-001CLF | | | YES | | NOTE ④ & ⑧ | 10120818-401CLF | |
| 10120818-001C-TRLF | | | YES | TAPE & REEL | NOTE ④ ⑥ & ⑧ | 10120818-401C-TRLF | |

NOTES:

- MATERIAL :
1) HOUSING : HIGH TEMP THERMOPLASTIC, UL 94V-0
COLOR : BLACK
2) TERMINAL : COPPER ALLOY
3) HOLD DOWN : COPPER ALLOY
- FINISH :
1) TERMINAL : 30μ" Au PLATING (CONTACT POINT) OVER 50μ" NICKEL
2) SOLDER TAIL : 100μ" MIN Sn OVER 50μ" NICKEL
3) HOLD DOWN : 100μ" MIN Sn OVER 50μ" NICKEL
- PER SFF REV 1.1, EXCEPT 0.8mm PITCH BUMP AREA.
- PART WITH PICK-UP CAP, P/N XXXXXXXX-XXXCLF.
- THE STD PACKAGING IS IN TRAY UNLESS OTHERWISE SPECIFIED.
- PART NUMBER WITH SUFFIX "-TR" MEANS FOR TAPE & REEL PACKAGING (E.G. P/N: XXXXXXXX-XXXC-TRLF).
- THE HOUSING WILL WITHSTAND EXPOSURE TO 260°C PEAK TEMPERATURE FOR 10 SECONDS IN A CONVECTION, INFRA-RED OR VAPOR PHASE REFLOW OVEN.
- THIS PRODUCT MEETS EUROPEAN UNION DIRECTIVES AND OTHER COUNTRY REGULATIONS AS DESCRIBED IN GS-47-0004.
- PART NUMBERS ENDING IN "LF" MEANS FOR NOTE 8 LEAD FREE IDENTIFICATION
- FINISH :
1) TERMINAL : 15μ" GXT PLATING (CONTACT POINT) OVER 50μ" NICKEL
2) SOLDER TAIL : 100μ" MIN Sn OVER 50μ" NICKEL
3) HOLD DOWN : 100μ" MIN Sn OVER 50μ" NICKEL
- FINISH :
1) TERMINAL : 30μ" GXT PLATING (CONTACT POINT) OVER 50μ" NICKEL
2) SOLDER TAIL : 100μ" MIN Sn OVER 50μ" NICKEL
3) HOLD DOWN : 100μ" MIN Sn OVER 50μ" NICKEL
- A \triangle SYMBOL WILL BE NEXT TO ANY DIMENSION, VIEW, OR NOTE WHICH HAS BEEN MODIFIED WITH THE CURRENT DRAWING REVISION.



RECOMMENDED PCB LAYOUT



RECOMMENDED SUCTION HEAD SIZE

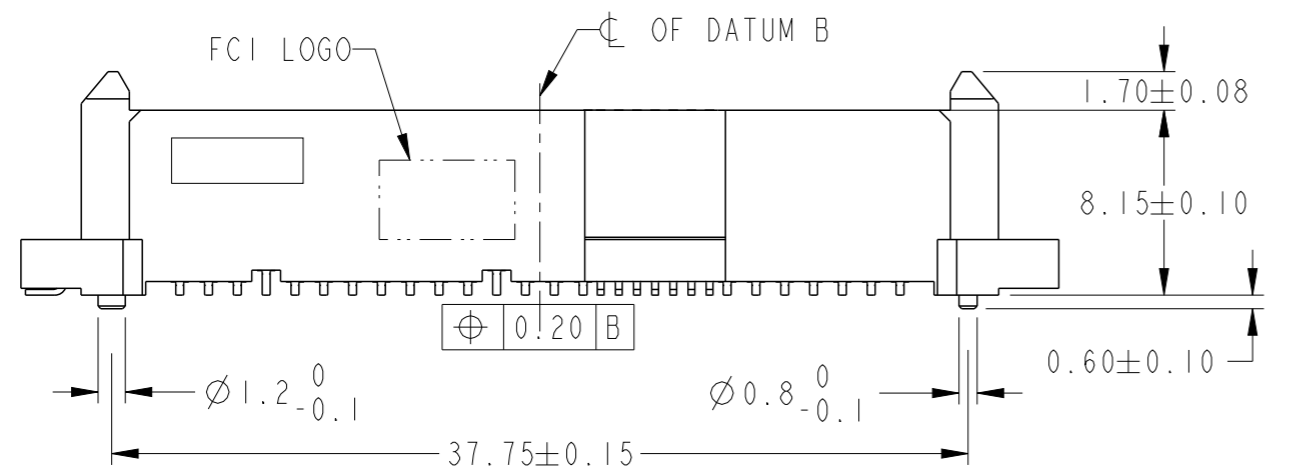
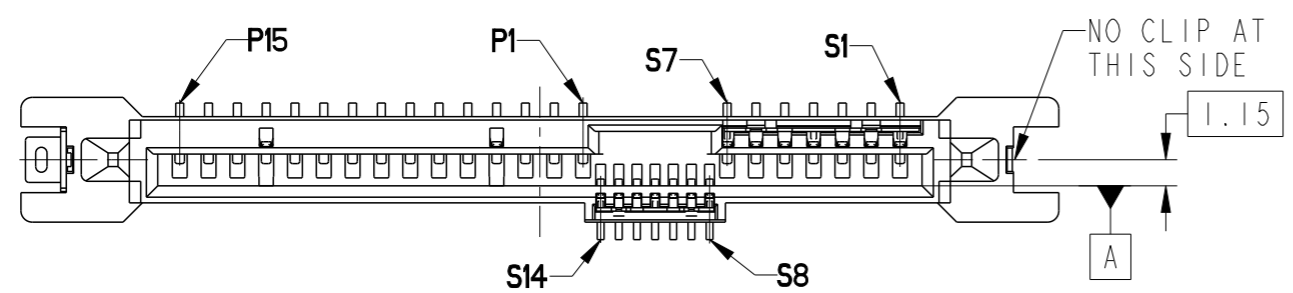
⑬ DATE CODE LOCATION. DATE CODE NO. YYWW (E.G. 14225)

| | | | | | | | | | | |
|---------------------------------------|---------------------|-----|--------------|------------------------|------------|--------------------|--------|------------------------|--------------|----------|
| spec ref | - | dr | K Ayyapparaj | 2012/07/27 | projection | mm | size | A3 | scale | 3:1 |
| tolerance std | ISO 406 ISO 1101 | eng | Noorhazlinda | 2016/10/04 | | | ecn no | ELX-M-25080-1 | rel level | Released |
| TOLERANCES UNLESS OTHERWISE SPECIFIED | | chr | - | apppr | | | | | | |
| surface | linear | 0.X | ± | Amphenol FCI | | 12G SAS RECEPTACLE | dwg no | 10120818 | rev | C |
| | angular | 0° | ±2° | VERTICAL SMT TYPE ASSY | | cat. no. | - | Product - Customer Drw | sheet 2 of 3 | |

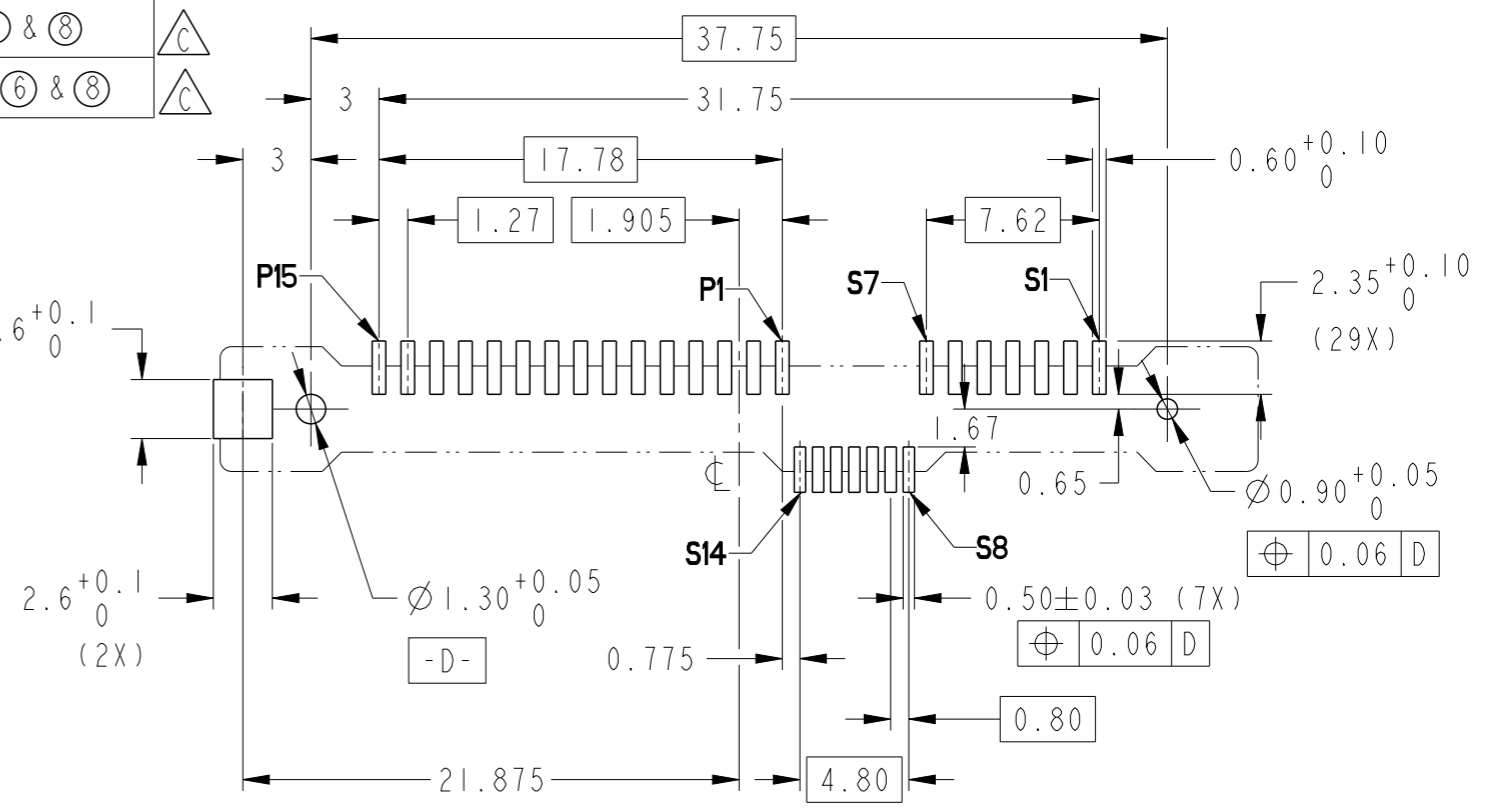
Amphenol FCI
 © 2016 AFCI

| PRODUCT NUMBER | METAL CLIP | PLATING | PICK-UP CAP | PACKAGING | REMARKS |
|--------------------|------------|---------|-------------|-----------|-------------|
| 10120818-002LF | 1 PCS | NOTE ② | NO | TRAY | NOTE ⑧ |
| 10120818-002CLF | | | YES | | NOTE ④ & ⑧ |
| 10120818-002C-TRLF | | | YES | | TAPE & REEL |
| 10120818-402LF | | NOTE ⑩ | NO | TRAY | NOTE ⑧ |
| 10120818-402CLF | | | YES | | NOTE ④ & ⑧ |
| 10120818-402C-TRLF | | | YES | | TAPE & REEL |
| 10120818-502LF | | NOTE ⑪ | NO | TRAY | NOTE ⑧ |
| 10120818-502CLF | | | YES | | NOTE ④ & ⑧ |
| 10120818-502C-TRLF | | | YES | | TAPE & REEL |

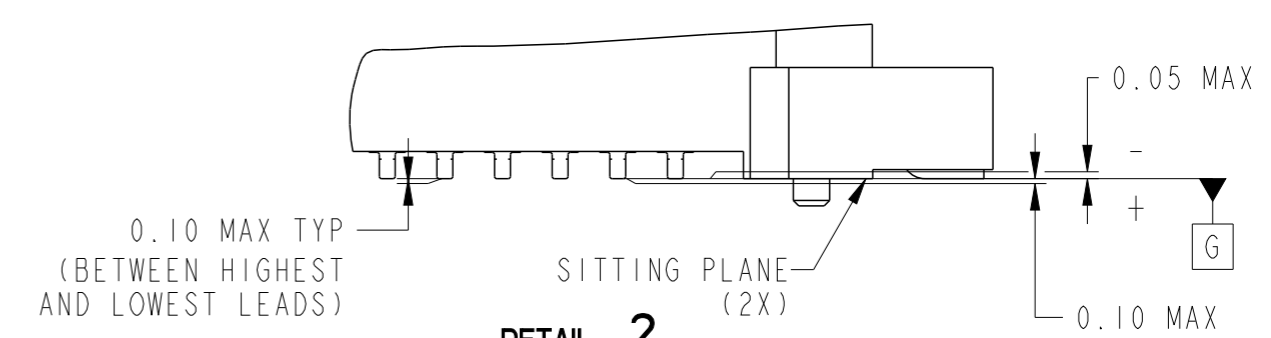
△
△
△



ALL OTHER DIMENSIONS, REFER TO SHEET 1



RECOMMENDED PCB LAYOUT



DETAIL SCALE 2 6:1

| | | | | | | | | | | |
|---------------------------------------|---------------------|-------|--------------|---------------------|------------|--|--------|--------------------|-----------|----------|
| spec ref | - | dr | K Ayyapparaj | 2012/07/27 | projection | mm | size | A3 | scale | 3:1 |
| tolerance std | ISO 406 ISO 1101 | eng | Noorhazlinda | 2016/10/04 | | | ecn no | ELX-M-25080-1 | rel level | Released |
| TOLERANCES UNLESS OTHERWISE SPECIFIED | | chr | - | apppr | | | | | | |
| surface | linear | 0.X | ± | Amphenol FCI | | 12G SAS RECEPTACLE VERTICAL SMT TYPE ASSY | | dwg no 10120818 | rev C | |
| | angular | 0.XXX | ± | | | | | | | cat. no. |