

Analog Peripherals

12-Bit ADC, 5 V input signal; up to 32 external inputs

- ± 1 LSB INL; guaranteed monotonic
- Programmable throughput up to 200 ksps
- Data-dependent windowed interrupt generator
- Programmable gain maximizes input signal span

Built-in Temperature Sensor (± 3 °C)

Three Comparators

Precision Internal Voltage Reference

V_{DD} Monitor/Brown-out Detector

On-Chip Debug

- On-chip debug circuitry facilitates full speed, non-intrusive in-system debug (no emulator required)
- Provides breakpoints, single stepping, watch-points
- Inspect/modify memory, registers, and stack
- Superior performance to emulation systems using ICE-chips, target pods, and sockets

Temperature Range: -40 to +125 °C

Operating Voltage: 1.8 to 5.25 V

- Multiple power saving sleep and shutdown modes

Development Kit: C8051F580DK

High-Speed 8051 μ C Core

- Pipelined instruction architecture; executes 70% of instructions in one or two system clocks
- Up to 50 MIPS throughput

Memory

- 128 kB Flash; in-system programmable; flexible security features
- 8448 bytes data RAM (256 + 8 kB)

Digital Peripherals

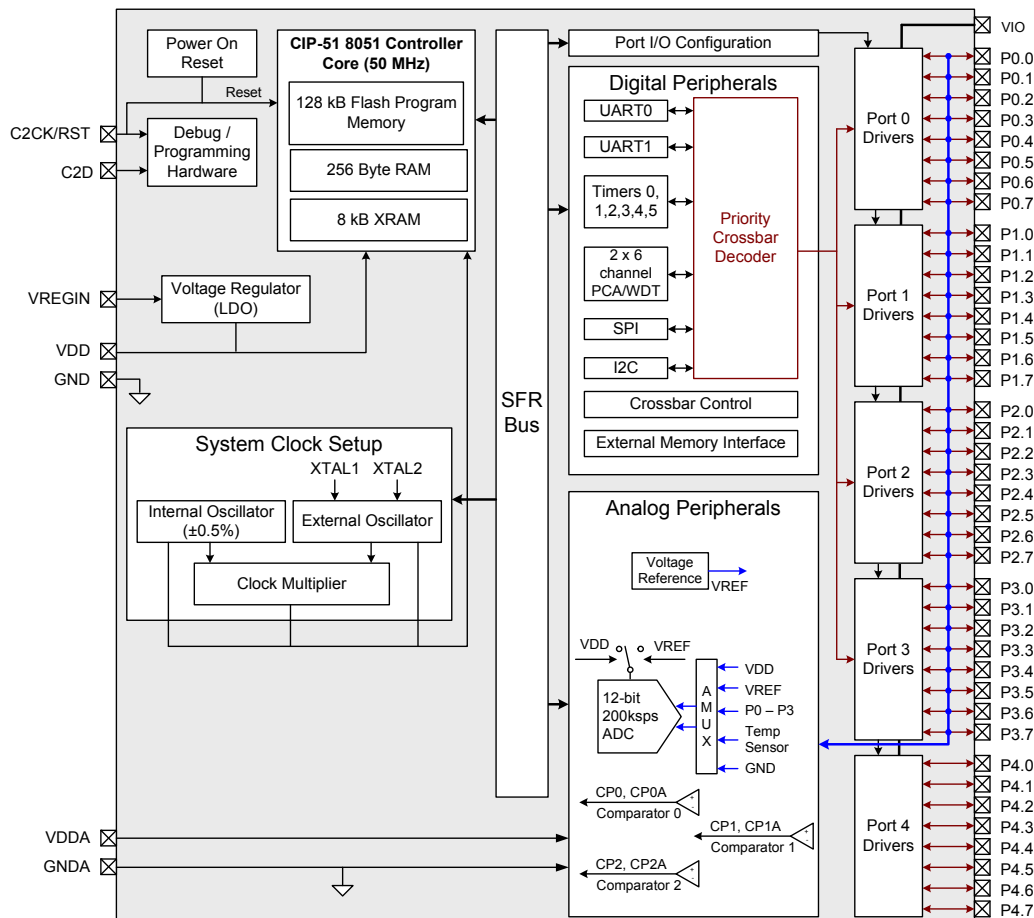
- Up to 40 digital I/O; all are 5 V push-pull
- Hardware I²C, SPI™, and two UART serial ports available concurrently
- Two independent programmable 16-bit counter array with six capture/compare modules
- Six general-purpose 16-bit counter/timers
- External Memory Interface (EMIF)

Clock Sources

- Internal programmable $\pm 0.5\%$ oscillator: Up to 50 MHz
- External oscillator: Crystal, RC, C, or CMOS Clock

Ordering Part Numbers

- C8051F581-IM, 48-Pin QFN (RoHS-compliant), 7 x 7 mm²
- C8051F581-IQ, 48-Pin QFP (RoHS-compliant), 9 x 9 mm²



Mouser Electronics

Authorized Distributor

Click to View Pricing, Inventory, Delivery & Lifecycle Information:

[Silicon Laboratories:](#)

[C8051F581-IQ](#)