



UMCX Jack Connector Solder Attachment Surface Mount PCB

TECHNICAL DATA SHEET

PE44594

Configuration

Connector	UMCX Jack
Connector Interface Type	Surface Mount
Attachment Method (Shield/Contact)	Solder
Body Style	Straight

Electrical Specifications

Frequency Range	DC to 3 GHz
Impedance	50 Ohms
Maximum VSWR	1.3:1
Maximum Operating Voltage	60 Volts

Frequency 1

Frequency	DC to 3 GHz
VSWR	1.3:1

Mechanical Specifications

Temperature

Operating Range	-40 to +90 deg C
-----------------	------------------

Size

Length	0.118 in [3 mm]
Width/Dia.	0.122 in [3.10 mm]
Height	0.049 in [1.24 mm]
Weight	0.001 lbs [0.45 g]

Connector

Type	UMCX Jack
Contact Material and Plating	Brass, Gold
Body Material and Plating	Phosphor Bronze, Silver
Dielectric Type	LCP

Compliance Certifications (visit www.Pasternack.com for current document)

RoHS Compliant	
REACH Compliant	06/18/2012

Click the following link (or enter part number in "SEARCH" on website) to obtain additional part information including price, inventory and certifications: [UMCX Jack Connector Solder Attachment Surface Mount PCB PE44594](#)





UMCX Jack Connector Solder Attachment Surface Mount PCB

TECHNICAL DATA SHEET

PE44594

Plotted and Other Data

Notes:

- Values at +25 °C, sea level

UMCX Jack Connector Solder Attachment Surface Mount PCB from Pasternack Enterprises has same day shipment for domestic and International orders. Our RF, microwave and millimeter wave products maintain a 99% availability and are part of the broadest selection in the industry.

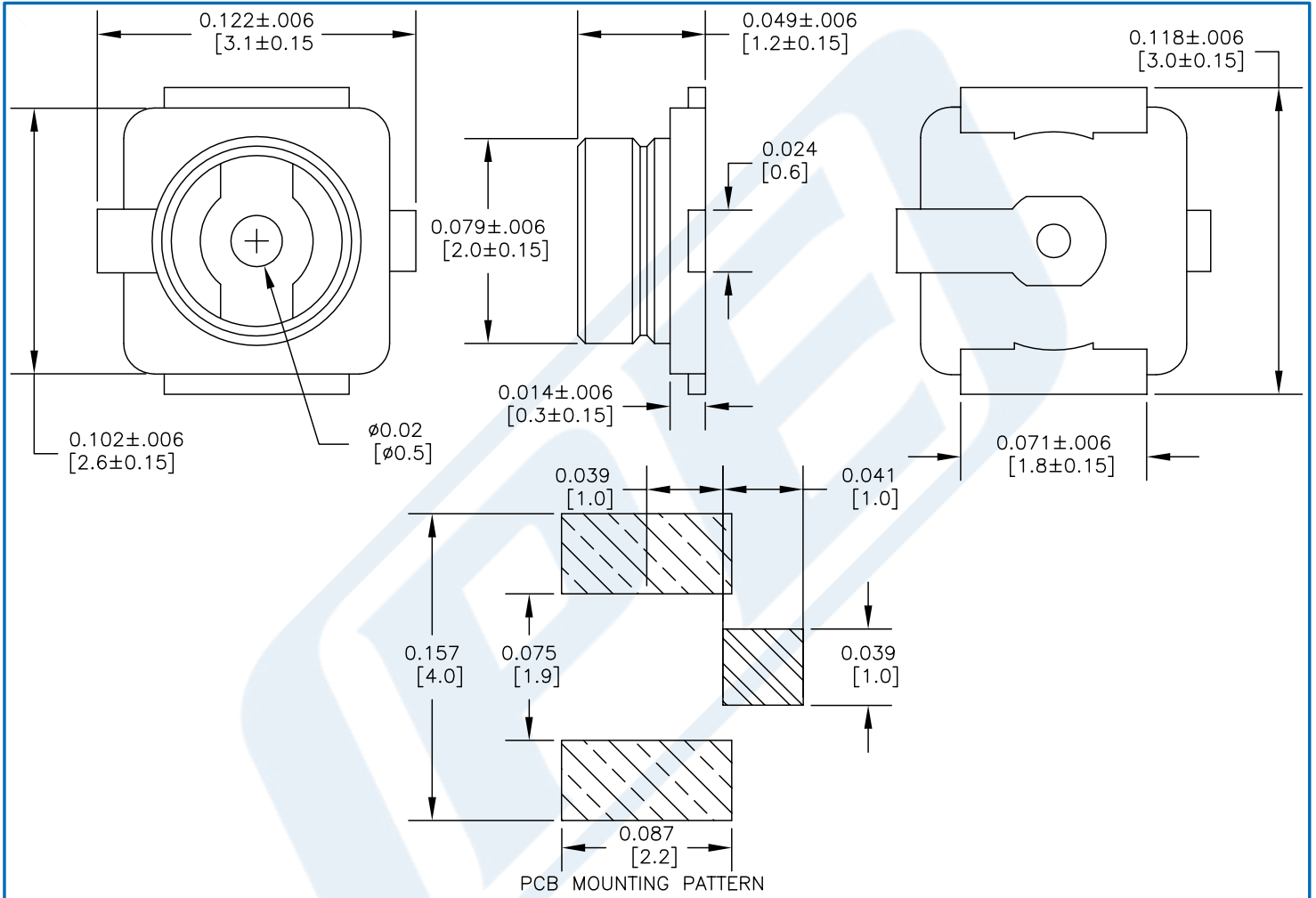
Click the following link (or enter part number in "SEARCH" on website) to obtain additional part information including price, inventory and certifications: [UMCX Jack Connector Solder Attachment Surface Mount PCB PE44594](#)

URL: <http://www.pasternack.com/umcx-jack-surface-mount-pcb-connector-pe44594-p.aspx>

The information contained in this document is accurate to the best of our knowledge and representative of the part described herein. It may be necessary to make modifications to the part and/or the documentation of the part, in order to implement improvements. Pasternack reserves the right to make such changes as required. Unless otherwise stated, all specifications are nominal. Pasternack does not make any representation or warranty regarding the suitability of the part described herein for any particular purpose, and Pasternack does not assume any liability arising out of the use of any part or documentation.

PE44594 CAD Drawing

UMCX Jack Connector Solder Attachment Surface Mount PCB



Pasternack Enterprises, Inc.
P.O. Box 16759 | Irvine | CA | 92623

Phone: (949) 261-1920 | Fax: (949) 261-7451

Website: www.pasternack.com | E-Mail: sales@pasternack.com

DWG TITLE

PE44594

NOTES:

1. UNLESS OTHERWISE SPECIFIED ALL DIMENSIONS ARE NOMINAL.
2. ALL SPECIFICATIONS ARE SUBJECT TO CHANGE WITHOUT NOTICE AT ANY TIME.
3. DIMENSIONS ARE IN INCHES [mm].

FSCM NO. 53919

CAD FILE 070314

SCALE N/A

SIZE A

150