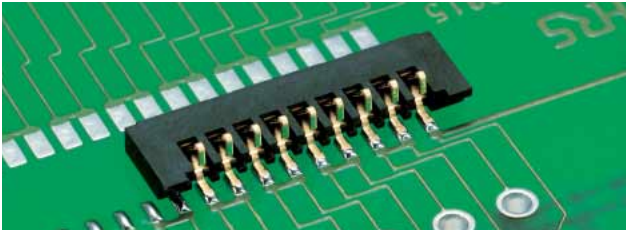
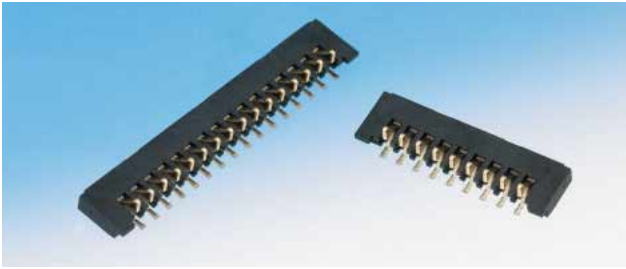
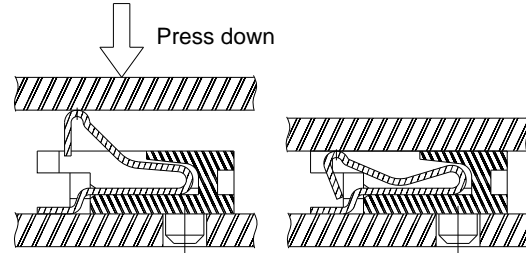


1.1mm Pitch Low Profile Compression Connectors

DF26 Series



Compression Connectors
-Mating height: 1.2mm and 1.7mm



Features

1. Low Profile

Connectors are available in heights : 1.2mm and 1.7mm.

2. Miniature, Space-Saving Design

The space-saving design of these connectors permits increase in the mounting density as compared to equivalent products.

3. One-Piece Connector

These connectors support cost reduction requirement since there is no need for a mating half connector. This design also permits a reduction in the number of assembly steps.

4. Variations

Number of Contacts	9 Contacts	16 Contacts	18 Contacts
Mating Height			
1.2mm	✓	✓	Under development
1.7mm	✓		

Applications

LCD, cellular phones, notebook computers, miniature office automation equipment, and miniature consumer products.

Product	Item	Before Contact	Contacting (Effective Mating Height)	
			1.55mm	1.2mm
1.2mm				
1.7mm				

Product Specifications

Rating	Current rating Voltage rating	0.5 A 50 V AC	Operation Temperature Operation Humidity	-35°C to 85°C (Note 1) 20% to 80%	Storage Temperature Storage Humidity	-10°C to 60°C (Note 2) 40% to 70% (Note 2)
--------	----------------------------------	------------------	---	--------------------------------------	---	---

Item	Specification	Conditions
1. Insulation resistance	500 M ohms min.	100 V DC
2. Withstanding voltage	No flashover or insulation breakdown	150 V AC / one minute
3. Contact resistance	50 m ohms max.	100 mA
4. Vibration	No electrical discontinuity of 1μs or more	Frequency: 10 to 55 Hz, single amplitude of 0.75 mm, 2 hours in each of the 3 directions
5. Humidity	Below the contact resistance standard value. Insulation resistance: 500 M min.	96 hours at temperature of 40 ±2°C and humidity of 90% to 95%
6. Temperature cycle	Below the contact resistance standard value. Insulation resistance: 500 M ohms min.	Temperature: -55°C → +5°C to +35°C → +85°C → +5°C to +35°C Time sequence: 30 → 10 → 30 → 10 (Minutes) 5 cycles
7. Stroke life	Below contact resistance standard value	50 stroke cycles
8. Resistance to soldering heat	No deformation of the insulator parts affecting performance.	Reflow soldering: At recommended temperature profile Manual soldering: Soldering iron temperature 300°C, 3 seconds

Note 1: Includes temperature rise caused by current flow.

Note 2: The term "storage" refers to connectors stored for long period of time prior to mounting and use. Operating Temperature Range and Humidity range covers non-conducting condition of installed connectors in storage, shipment or during transportation.

Materials

Item	Part	Material	Finish	Remarks
Compression	Insulator	LCP	Color: Black	UL94V-0
	Contacts	Phosphor bronze	Gold plating	—

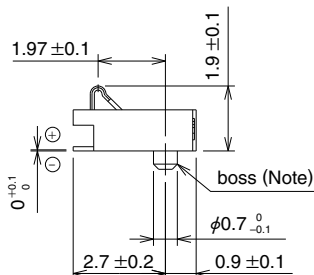
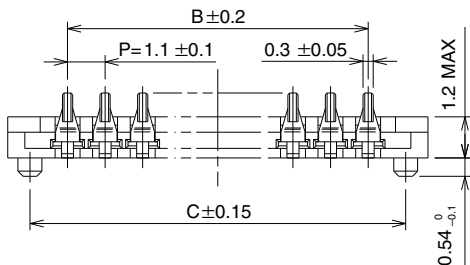
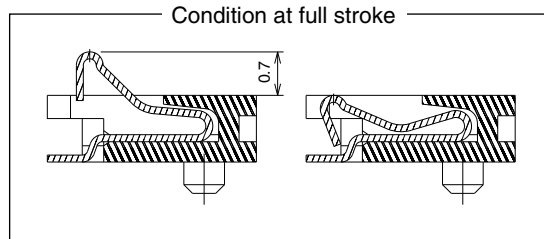
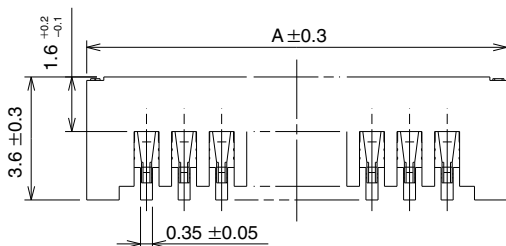
Ordering Information

DF26 # 1.2 - * CP - 1.1 V (* *)

① ② ③ ④ ⑤ ⑥ ⑦ ⑧

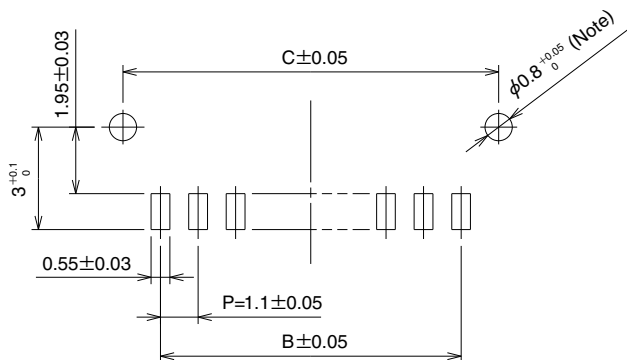
① Series name: DF26	④ Number of contacts: 9, 16	⑧ Packaging (51): Embossed tape packaging (2,000 pieces per reel) 0.1 micron gold plated (66): Embossed tape packaging (2,000 pieces per reel) 0.5 micron gold plated
② Boss type A: With boss	⑤ Connector type CP: Single row compression	
③ Mating height 1.2: 1.2mm 1.7: 1.7mm	⑥ Contact pitch: 1.1mm ⑦ Contact type V: Straight SMT	

Compression Connectors (Straight SMT) for 1.2mm Mating

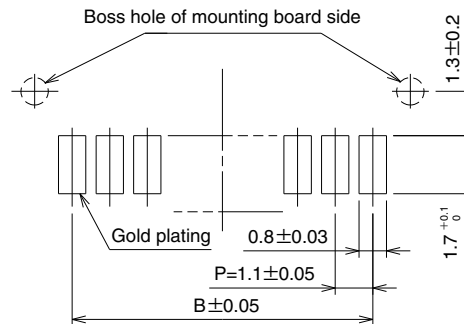


PCB Mounting Pattern

Connector Mounting Surface Side



Connector Contact Side



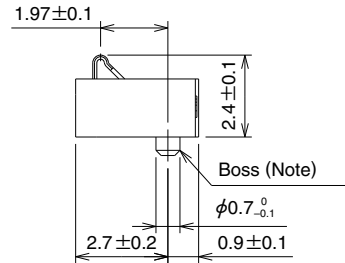
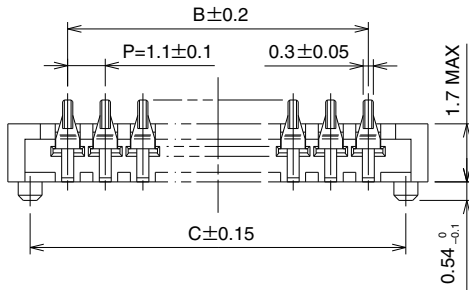
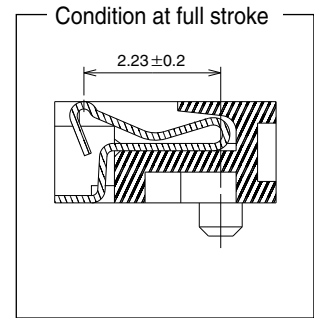
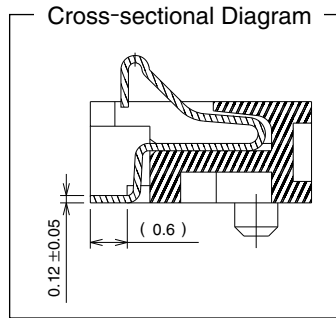
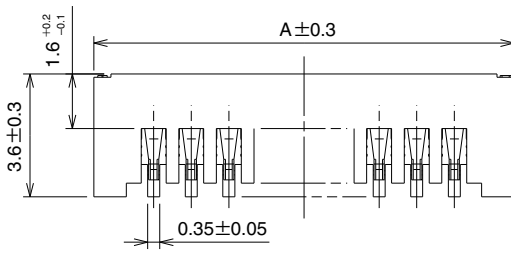
[Specification number] — **, (**)
 (51): Gold plating, embossed tape packaging (2,000 pieces per reel)

Unit: mm

Product No.	HRS No.	Number of Contacts.	A	B	C	Embossed width	Notes
DF26A1.2- 9CP-1.1V(**)	CL661-0002-5-**	9	12.3	8.8	11.0	24	With boss

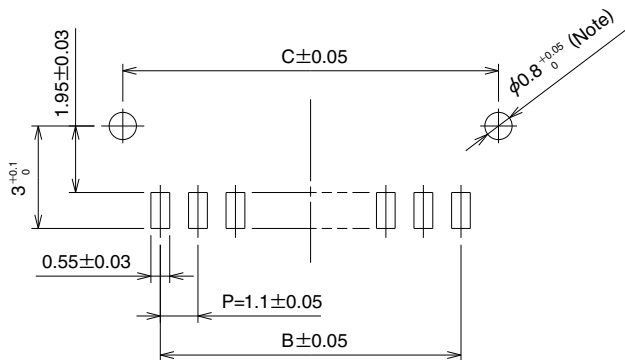
Note: Order by number of reels.

Compression Connectors (Straight SMT) for 1.7mm Mating

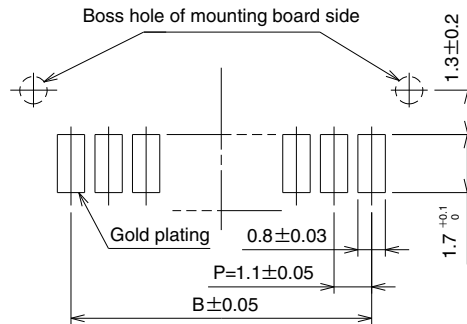


PCB Mounting Pattern

Connector Mounting Surface Side



Connector Contact Side



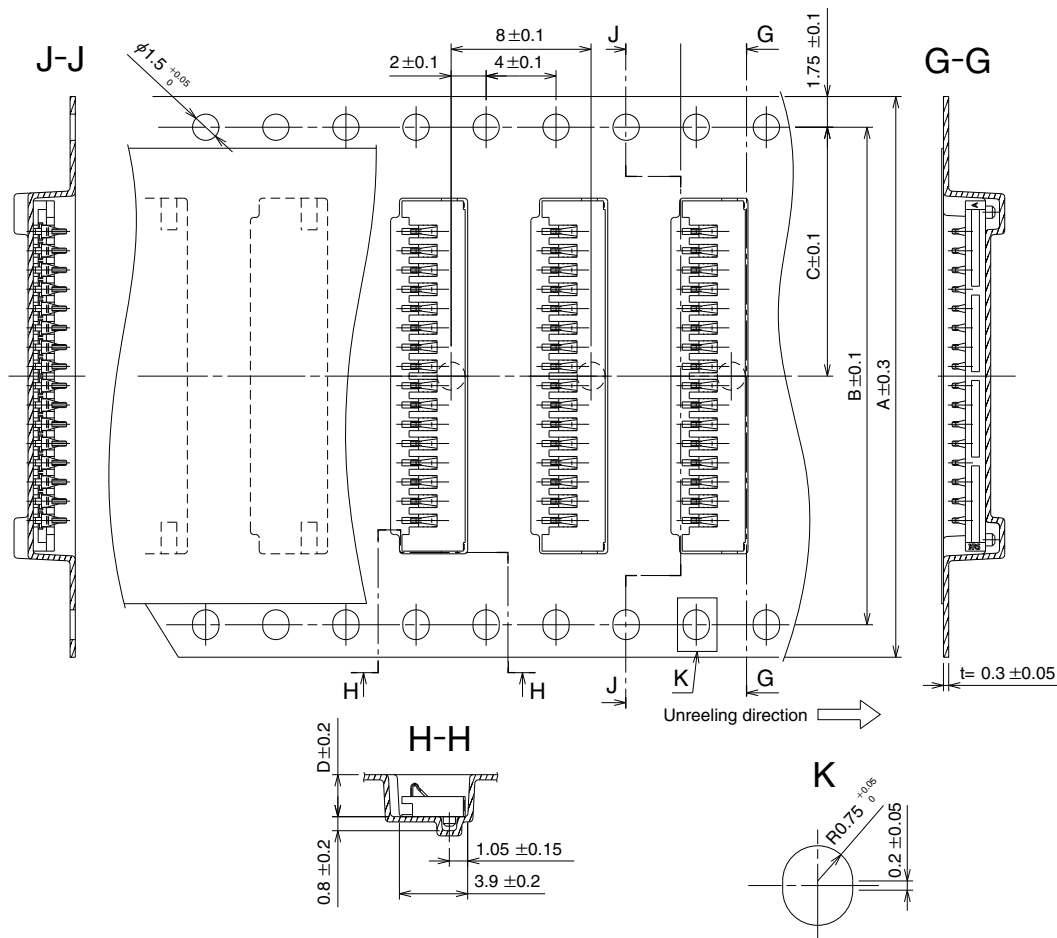
[Specification number] — **, (**)
 (66): Gold plating, embossed tape packaging (2,000 pieces per reel)

Unit: mm

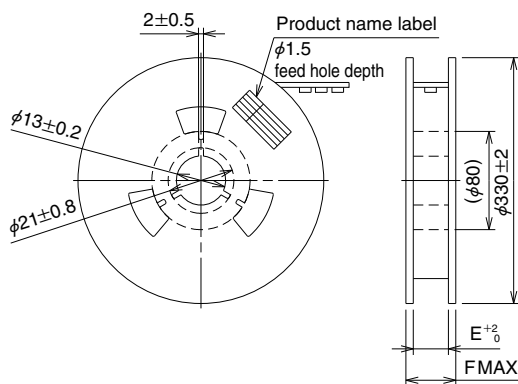
Product No.	HRS No.	Number of Contacts	A	B	C	Embossed width	Notes
DF26A1.7-9CP-1.1V(**)	CL661-0008-1-**(66)	9	12.3	8.8	11.0	24	With boss

Note: Order by number of reels.

◆ Embossed Carrier Tape Dimensions



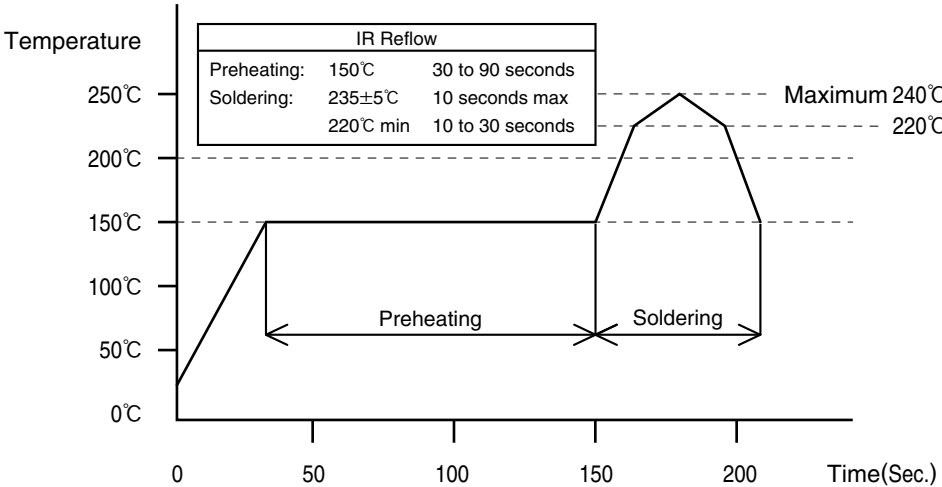
Reel Dimension



Unit: mm

Product No.	Number of Contacts	A	B	C	D	E	F	Notes
DF26A1.2- 9CP-1.1V	9	24	—	11.5	2.4	24.4	30.4	With boss
DF26A1.7- 9CP-1.1V	9	24	—	11.5	2.9	24.4	30.4	

◆ Precautions for Use

<p>1. Recommended Temperature Profile</p>	 <p>The graph shows a temperature profile for IR reflow. The y-axis is Temperature (0°C to 250°C) and the x-axis is Time (0 to 200+ seconds). The profile starts at 0°C, rises to 150°C, holds for 90 seconds (Preheating), then rises to a peak of 240°C (Maximum) and holds for 10 seconds (Soldering), before cooling down. A table within the graph specifies: IR Reflow Preheating: 150°C 30 to 90 seconds; Soldering: 235±5°C 10 seconds max, 220°C min 10 to 30 seconds.</p> <p>Note1: Up to 2 cycles of reflow soldering are possible under the same conditions, provided that there is a return to normal temperature between the first and second cycle.</p> <p>Note2: The temperature profile indicates the board surface temperature at the point of contacts with the connector terminals (for surface mounted receptacle).</p>
<p>2. Recommended manual soldering</p>	<p>Manual soldering: 290±10°C for 3 seconds</p>
<p>3. Recommended screen thickness</p>	<p>0.15mm</p>
<p>4. Board warpage</p>	<p>Maximum of 0.03mm at the connector center, with both ends of the connector as reference points.</p>
<p>5. Cleaning conditions</p>	<p>Refer to "Nylon connector Use Handbook".</p>
<p>6. Precautions</p>	<ul style="list-style-type: none"> ■ Excessive twisting when mating/un-mating may cause damage to the connector. ■ The contacts are of an exposed design and touching them with bare hands may cause breakdown of the elements due to contact faults or static electricity.

USA:

HIROSE ELECTRIC (U.S.A.), INC. Headquarters
 2688 Westhills Court, Simi Valley, CA 93065-6235
 Phone : 1-805-522-7958
 Fax : 1-805-522-3217
<http://www.hiroseusa.com>

USA:

HIROSE ELECTRIC (U.S.A.), INC. North California Office
 20400 Stevens Creek Blvd., Ste 250, Cupertino, CA 95014
 Phone : 1-408-253-9640
 Fax : 1-408-253-9641
<http://www.hiroseusa.com>

USA:

HIROSE ELECTRIC (U.S.A.), INC. Dallas Office
 1701 N. Greenville Ave. Ste 817, Richardson, TX 75081
 Phone : 1-469-330-9200
 Fax : 1-469-330-9205
<http://www.hiroseusa.com>

USA:

HIROSE ELECTRIC (U.S.A.), INC. Chicago Office
 2777 Finley Road, Suite 28 Downers Grove, IL 60148
 Phone : 1-630-916-1455
 Fax : 1-630-916-1451
<http://www.hiroseusa.com>

USA:

HIROSE ELECTRIC (U.S.A.), INC. New York Office
 510 Broadhollow Road, Suite 305, Melville, NY 11747
 Phone : 1-516-249-5259
<http://www.hiroseusa.com>

USA:

HIROSE ELECTRIC (U.S.A.), INC. Detroit Office (Automotive)
 37650 Professional Center Drive, Suite 120A, Livonia, MI 48154
 Phone : 1-734-542-9963
 Fax : 1-734-542-9964
<http://www.hiroseusa.com>

GERMANY:

HIROSE ELECTRIC GmbH
 Herzog-Carl-Strasse 4 D-73760 Ostfildern (Scharnhäuser Park)
 Phone : 49-711-4560-02-1
 Fax : 49-711-4560-02-299
<http://www.hirose.de>

THE NETHERLANDS:

HIROSE ELECTRIC EUROPE B.V.
 Hogehillweg #8 1101 CC Amsterdam Z-O
 Phone : 31-20-6557490
 Fax : 31-20-6557469
<http://www.hiroseeurope.com>

FINLAND:

Hirose Electric Europe B.V. Finland Office
 Teknobulevardi 3-5 01530 VANTAA
 Phone : 358-9-2517-8459
 Fax : 358-9-2517-8460
<http://www.hiroseeurope.com>

UNITED KINGDOM:

HIROSE ELECTRIC UK LTD.
 First Floor, St Andrews House, Caldecotte Lake Business Park, Milton Keynes MK7 8LE
 Phone : 44-1908-369060
 Fax : 44-1908-369078
<http://www.hirose.co.uk>

CHINA:

HIROSE ELECTRIC CO., LTD. Beijing Office
 Unit 1605, Block A, ZhuBang2000 BusinessCenter, No.100, Balizhuang Xili, Chaoyang District, Beijing, 10025
 Phone : 86-10-5165-9332
 Fax : 86-10-8586-1418
<http://www.hirose-china.com.cn>

CHINA:

HIROSE ELECTRIC (SHANGHAI) CO., LTD.
 1501-02, Cross Tower Building 318 Fuzhou Road, Huang Pu District Shanghai, 200001
 Phone : 86-21-6391-3355
 Fax : 86-21-6391-3335
<http://www.hirose-china.com.cn>

CHINA:

HIROSE ELECTRIC CO., LTD. Shenzhen Office
 Room 1902-05, Office Tower Shun Hing Square, DiWang Commercial Centre 5002 ShenNanDong Road, ShenZhen
 Phone : 86-755-8207-0851
 Fax : 86-755-8207-0873
<http://www.hirose-china.com.cn>

HONG KONG:

HIROSE ELECTRIC CO., LTD.
 Unit 1102, Energy Plaza, 92 Granville Road, Tsim Sha Tsui East, Kowloon
 Phone : 852-2803-5338
 Fax : 852-2591-6560
<http://www.hirose-hongkong.com.hk>

TAIWAN:

HIROSE ELECTRIC TAIWAN CO., LTD.
 No.28 Lane 247 Sec. 2 Yen Ping N,Rd.Taipei
 Phone : 886-2-2557-7351,7352
 Fax : 886-2-2552-9851
<http://www.hirose-taiwan.com.tw>

SINGAPORE:

HIROSE ELECTRIC CO., LTD.
 10 Anson Road #26-16 International Plaza 079903
 Phone : 65-6324-6113
 Fax : 65-6324-6123
<http://www.hirose-singapore.com.sg>

KOREA:

HIROSE KOREA CO., LTD.
 (#2NA311,Shihwa Industrial Complex),1261-10, Jeungwhang-Dong, Shihung-City, Kyunggi-Do 429-450
 Phone : 82-31-496-7000,7124
 Fax : 82-31-496-7100
<http://www.hirose.co.kr>



HIROSE ELECTRIC CO.,LTD.

5-23,OSAKI 5-CHOME,SHINAGAWA-KU,TOKYO 141-8587,JAPAN
 PHONE: 81-3-3491-9741, FAX: 81-3-3493-2933
<http://www.hirose.com>
<http://www.hirose-connectors.com>