



Nanopower μ P Supervisory Circuits with Manual Reset and Watchdog Timer

General Description

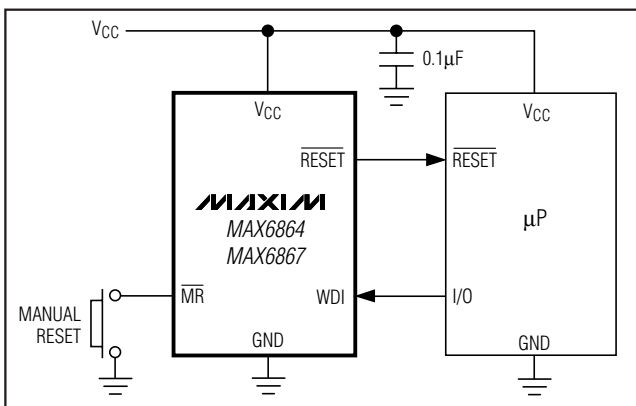
The MAX6854/MAX6855/MAX6856/MAX6858/MAX6860–MAX6869 ultra-low-current (170nA, typ) microprocessor (μ P) supervisory circuits combine voltage monitoring, watchdog timer, and manual reset input functions in a 5-pin SOT23 package. These devices assert a reset signal whenever the monitored voltage drops below the factory-trimmed reset threshold voltage, manual reset is asserted, or the watchdog timer expires. The reset output remains asserted for a minimum timeout period after V_{CC} rises above the reset threshold and manual reset is deasserted. Factory-trimmed reset threshold voltages are offered from +1.575V to +4.625V in approximately 100mV increments (see the *Threshold Suffix Guide*). Each device is offered with six minimum reset timeout options, ranging from 10ms to 1200ms.

The MAX6854/MAX6855/MAX6856/MAX6858/MAX6860–MAX6869 are offered in a variety of configurations (see the *Selector Guide*). The MAX6854/MAX6855/MAX6856/MAX6861–MAX6869 provide a manual reset input, MR. The MAX6864–MAX6869 offer a watchdog timer that monitors activity at the WDI input to prevent code execution errors. The MAX6864–MAX6869 offer watchdog timeout options of 3.3s or 209s (typ). The MAX6861/MAX6862/MAX6863 feature a pin-selectable reset delay period of 10ms or 150ms (min). Push-pull active-low, push-pull active-high, and open-drain active-low reset outputs are available.

Applications

Portable/Battery-Powered Equipment
PDA's/Cell Phones
MP3 Players/Pagers
Glucose Monitors/Patient Monitors

Typical Operating Circuit



Features

- ◆ Ultra-Low 170nA (typ) Supply Current
- ◆ Reset Thresholds from +1.575V to +4.625V in Approximately 100mV Increments
- ◆ Six Minimum Reset Timeout Period Options from 10ms to 1200ms
- ◆ Manual Reset Option
- ◆ Watchdog Timer Option
- ◆ Pin-Selectable 10ms/150ms (min) Reset Timeout Period (MAX6861/MAX6862/MAX6863)
- ◆ Immune to Short V_{CC} Transients
- ◆ Guaranteed Reset Valid to $V_{CC} = +1.1V$
- ◆ Three Reset Output Options:
 - Push-Pull RESET
 - Push-Pull RESET
 - Open-Drain RESET
- ◆ No External Components
- ◆ Small 5-Pin SOT23 Package
- ◆ Pin Compatible to the TPS3836/TPS3837/TPS3838 (MAX6861/MAX6862/MAX6863)

Ordering Information

| PART [†] | TEMP RANGE | PIN-PACKAGE |
|-------------------|----------------|-------------|
| MAX6854UK_ _D_-T | -40°C to +85°C | 5 SOT23-5 |
| MAX6855UK_ _D_-T | -40°C to +85°C | 5 SOT23-5 |

[†]Insert reset threshold suffix (see Table 2, *Threshold Suffix Guide*) after UK. Insert the number corresponding to the desired reset timeout period (see Table 4, *Reset Timeout Period*) after D.

Note: Sample stock is generally held on standard versions only (see Table 5, *Standard Versions Table*). Standard versions have an order increment of 2500 pieces. Nonstandard versions have an order increment of 10,000 pieces. Contact factory for availability of nonstandard versions.

Devices are available in both leaded and lead-free packaging. Specify lead-free by replacing "-T" with "+T" when ordering.

Pin Configurations and Selector Guide appear at end of data sheet.

Ordering Information continued at end of data sheet.



Nanopower μ P Supervisory Circuits with Manual Reset and Watchdog Timer

ABSOLUTE MAXIMUM RATINGS

V_{CC} , Open-Drain \overline{RESET} to GND-0.3V to +6.0V
 MR, Push-Pull \overline{RESET} , \overline{RESET} ,
 WDI, CT, I.C.....-0.3V to (V_{CC} + 0.3V)
 Input Current, Output Current (all pins)..... ± 20 mA
 Continuous Power Dissipation ($T_A = +70^\circ\text{C}$)
 5-Pin SOT23 (derate 7.1mW/ $^\circ\text{C}$ above +70 $^\circ\text{C}$).....571mW

Operating Temperature Range-40 $^\circ\text{C}$ to +85 $^\circ\text{C}$
 Junction Temperature+150 $^\circ\text{C}$
 Storage Temperature Range-65 $^\circ\text{C}$ to +150 $^\circ\text{C}$
 Lead Temperature (soldering, 10s)+300 $^\circ\text{C}$

Stresses beyond those listed under "Absolute Maximum Ratings" may cause permanent damage to the device. These are stress ratings only, and functional operation of the device at these or any other conditions beyond those indicated in the operational sections of the specifications is not implied. Exposure to absolute maximum rating conditions for extended periods may affect device reliability.

ELECTRICAL CHARACTERISTICS

($V_{CC} = 1.2\text{V}$ to 5.5V , $T_A = -40^\circ\text{C}$ to $+85^\circ\text{C}$, unless otherwise specified. Typical values are at $V_{CC} = 2.5\text{V}$, $T_A = +25^\circ\text{C}$.) (Note 1)

| PARAMETER | SYMBOL | CONDITIONS | MIN | TYP | MAX | UNITS | |
|---|------------|---|------------------------|---------------------|------------------|---------------|----|
| Supply Voltage | V_{CC} | $T_A \geq 0^\circ\text{C}$ | 1.1 | | 5.5 | V | |
| | | $T_A = -40^\circ\text{C}$ to $+85^\circ\text{C}$ | 1.2 | | 5.5 | | |
| Supply Current | I_{CC} | $V_{CC} > V_{TH}$, no load, reset output deasserted (Note 2) | $V_{CC} = 5.0\text{V}$ | 210 | 400 | nA | |
| | | | $V_{CC} = 3.3\text{V}$ | 190 | 380 | | |
| | | | $V_{CC} = 1.8\text{V}$ | 170 | 370 | | |
| | | $V_{CC} < V_{TH}$, no load, reset output asserted | | 7 | 15 | μA | |
| V_{CC} Reset Threshold | V_{TH} | V_{CC} falling (see Table 2) | $V_{TH} - 2.5\%$ | V_{TH} | $V_{TH} + 2.5\%$ | V | |
| Reset Threshold Hysteresis | V_{HYST} | Reset asserted to reset deasserted | | 0.5 | | % V_{TH} | |
| Reset Timeout Period | t_{RP} | $V_{CC} = V_{TH} + 150\text{mV}$ (Figures 2 and 3) | D1 | 10 | 15 | 25 | ms |
| | | | D2 | 40 | 60 | 80 | |
| | | | D3 | 150 | 225 | 300 | |
| | | | D4 | 1200 | 1800 | 2400 | |
| | | | D5 | 300 | 450 | 600 | |
| | | | D6 | 600 | 900 | 1200 | |
| V_{CC} to Reset Delay | t_{RD} | V_{CC} falling from ($V_{TH} + 100\text{mV}$) to ($V_{TH} - 100\text{mV}$) at $10\text{mV}/\mu\text{s}$ | | 40 | | μs | |
| \overline{RESET} Output Voltage | V_{OL} | $V_{CC} \geq 1.1\text{V}$, $I_{SINK} = 50\mu\text{A}$, \overline{RESET} asserted, $T_A \geq 0^\circ\text{C}$ | | | 0.3 | V | |
| | | $V_{CC} \geq 1.2\text{V}$, $I_{SINK} = 100\mu\text{A}$, \overline{RESET} asserted | | | 0.3 | | |
| | | $V_{CC} \geq 2.12\text{V}$, $I_{SINK} = 1.2\text{mA}$, \overline{RESET} asserted | | | 0.3 | | |
| | V_{OH} | $V_{CC} \geq 1.71\text{V}$, $I_{SOURCE} = 200\mu\text{A}$, \overline{RESET} deasserted, push-pull \overline{RESET} only | | $0.8 \times V_{CC}$ | | | |
| $V_{CC} \geq 2.38\text{V}$, $I_{SOURCE} = 500\mu\text{A}$, \overline{RESET} deasserted, push-pull \overline{RESET} only | | | $0.8 \times V_{CC}$ | | | | |
| Open-Drain \overline{RESET} Leakage Current | I_{LKG} | \overline{RESET} deasserted | | | 25 | nA | |

Nanopower μ P Supervisory Circuits with Manual Reset and Watchdog Timer

ELECTRICAL CHARACTERISTICS (continued)

($V_{CC} = 1.2V$ to $5.5V$, $T_A = -40^{\circ}C$ to $+85^{\circ}C$, unless otherwise specified. Typical values are at $V_{CC} = 2.5V$, $T_A = +25^{\circ}C$.) (Note 1)

| PARAMETER | SYMBOL | CONDITIONS | MIN | TYP | MAX | UNITS |
|---|-----------|--|----------------|-----|------|-----------|
| RESET Output Voltage | V_{OH} | $V_{CC} \geq 1.1V$, $I_{SOURCE} = 10\mu A$, RESET asserted, $T_A \geq 0^{\circ}C$ | 0.8 x V_{CC} | | | V |
| | | $V_{CC} \geq 1.2V$, $I_{SOURCE} = 10\mu A$, RESET asserted | 0.8 x V_{CC} | | | |
| | | $V_{CC} \geq 1.53V$, $I_{SOURCE} = 200\mu A$, RESET asserted | 0.8 x V_{CC} | | | |
| | | $V_{CC} \geq 2.12V$, $I_{SOURCE} = 500\mu A$, RESET asserted | 0.8 x V_{CC} | | | |
| | V_{OL} | $V_{CC} \geq 1.71V$, $I_{SINK} = 500\mu A$, RESET deasserted | | | 0.3 | |
| | | $V_{CC} \geq 2.38V$, $I_{SINK} = 1.2mA$, RESET deasserted | | | 0.3 | |
| CT Input Current | | CT = GND or V_{CC} | | | 20 | nA |
| CT Input Voltage | V_{IH} | | 0.8 x V_{CC} | | | V |
| | V_{IL} | | 0.2 x V_{CC} | | | |
| MANUAL RESET INPUT | | | | | | |
| \overline{MR} Input Voltage | V_{IH} | | 0.7 x V_{CC} | | | V |
| | V_{IL} | | 0.3 x V_{CC} | | | |
| \overline{MR} Minimum Pulse Width | t_{MPW} | | 1 | | | μs |
| \overline{MR} Glitch Rejection | | | 200 | | | ns |
| \overline{MR} to Reset Delay | t_{MRD} | | 250 | | | ns |
| \overline{MR} Pullup Resistance | | | 5 | 10 | 20 | $k\Omega$ |
| WATCHDOG TIMER (MAX6864–MAX6869) | | | | | | |
| WDI Input Voltage | V_{IH} | | 0.7 x V_{CC} | | | V |
| | V_{IL} | | 0.3 x V_{CC} | | | |
| WDI Input Current | | WDI = GND or V_{CC} | | | 20 | nA |
| WDI Pulse Width | t_{WDI} | (Note 3) | 150 | | | ns |
| Watchdog Timeout Period | t_{WD} | S | 1.5 | 3.3 | 7.75 | s |
| | | L | 95 | 209 | 487 | |

Note 1: Devices are tested at $T_A = +25^{\circ}C$. Specifications for $T_A = -40^{\circ}C$ to $+85^{\circ}C$ are guaranteed by design.

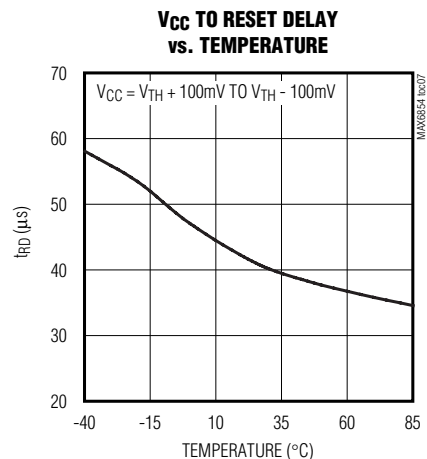
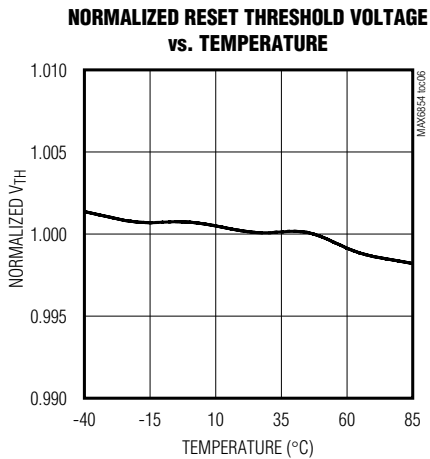
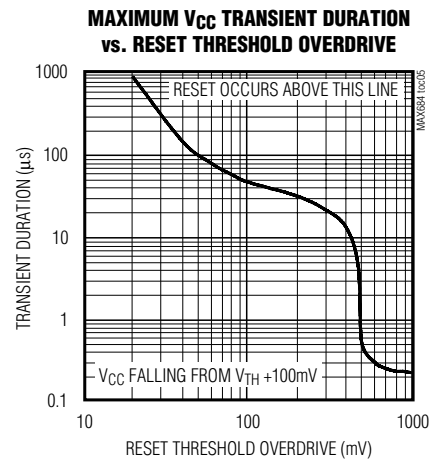
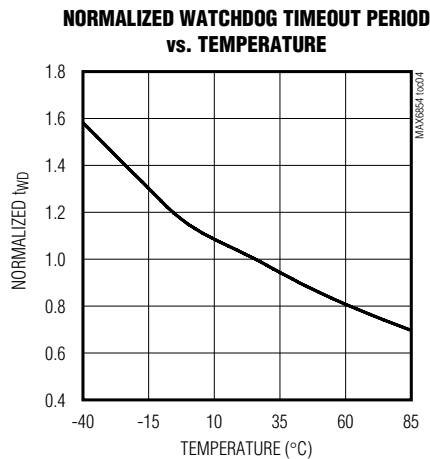
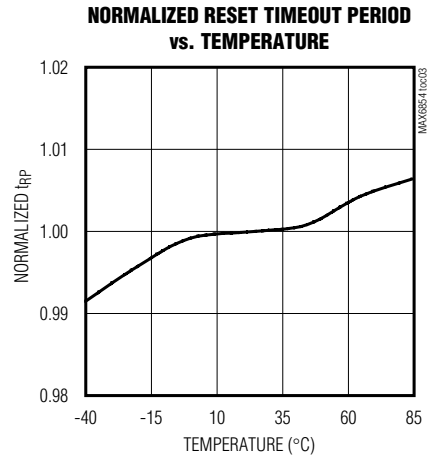
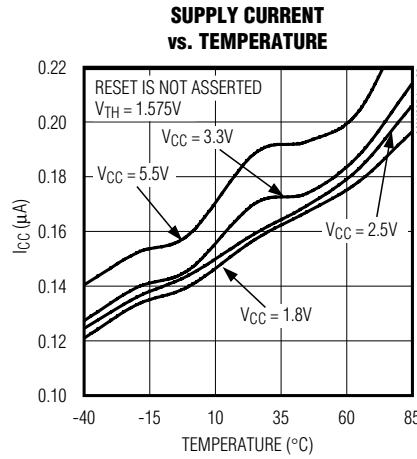
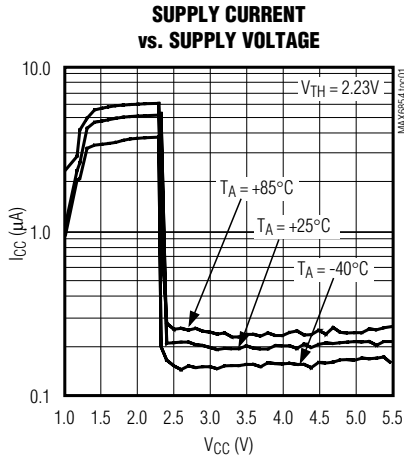
Note 2: For the MAX6864–MAX6869, the watchdog period is 1s with t_{RISE} and $t_{FALL} < 50ns$.

Note 3: Guaranteed by design.

Nanopower μ P Supervisory Circuits with Manual Reset and Watchdog Timer

Typical Operating Characteristics

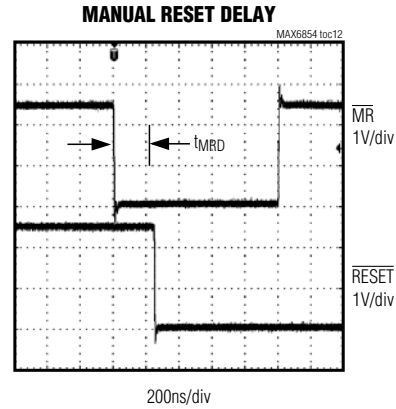
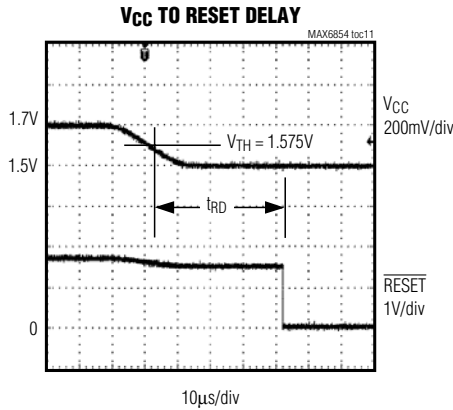
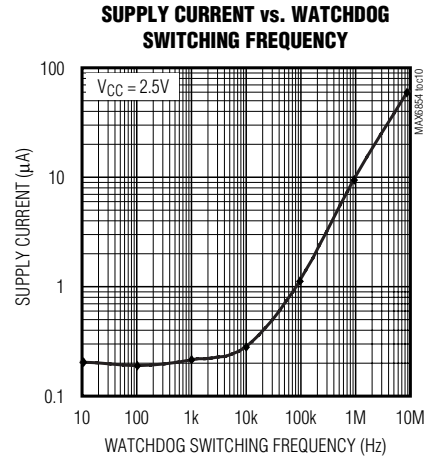
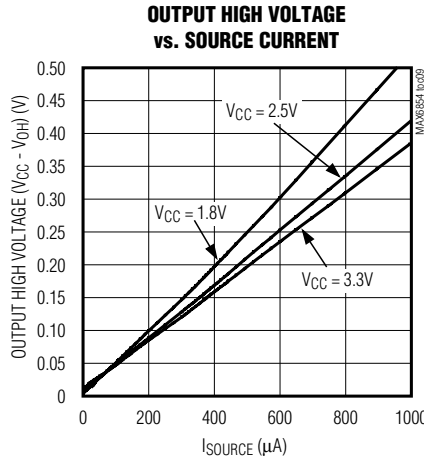
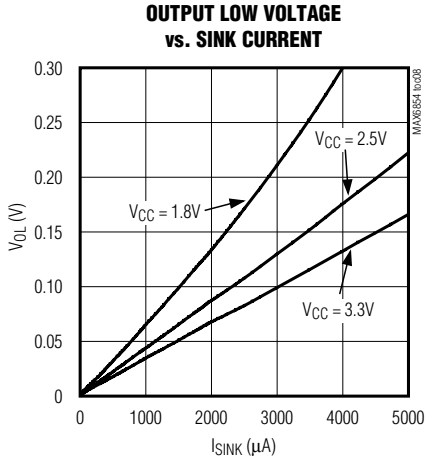
($V_{CC} = +2.5V$, $T_A = +25^\circ C$, unless otherwise noted.)



Nanopower μ P Supervisory Circuits with Manual Reset and Watchdog Timer

Typical Operating Characteristics (continued)

($V_{CC} = +2.5V$, $T_A = +25^\circ C$, unless otherwise noted.)



MAX6854/MAX6855/MAX6856/MAX6858/MAX6860-MAX6869

Nanopower μ P Supervisory Circuits with Manual Reset and Watchdog Timer

MAX6854/MAX6855/MAX6856 Pin Description

| PIN | | NAME | FUNCTION |
|---------------------|---------|---------------------------|---|
| MAX6854/ MAX6856 | MAX6855 | | |
| 1 | — | $\overline{\text{RESET}}$ | Active-Low Open-Drain or Push-Pull Reset Output. $\overline{\text{RESET}}$ transitions from high to low when V_{CC} drops below the selected reset threshold or $\overline{\text{MR}}$ is pulled low. $\overline{\text{RESET}}$ remains low for the reset timeout period after V_{CC} exceeds the device reset threshold and $\overline{\text{MR}}$ deasserts. Push-pull $\overline{\text{RESET}}$ outputs are referenced to V_{CC} . Open-drain $\overline{\text{RESET}}$ outputs require an external pullup resistor. |
| 2, 4 | 2, 4 | GND | Ground. Connect all GND inputs to the same potential. |
| 3 | 3 | $\overline{\text{MR}}$ | Active-Low Manual Reset Input. Drive $\overline{\text{MR}}$ low to initiate a reset. The reset output remains asserted while $\overline{\text{MR}}$ is held low and for the reset timeout period after $\overline{\text{MR}}$ transitions high. Leave $\overline{\text{MR}}$ unconnected or connect to V_{CC} if unused. $\overline{\text{MR}}$ is internally pulled up to V_{CC} through 10k Ω . |
| 5 | 5 | V_{CC} | Supply Voltage. Input for V_{CC} reset monitor. For noisy systems, bypass V_{CC} with a 0.1 μ F capacitor to GND. |
| — | 1 | RESET | Active-High Push-Pull Reset Output. RESET transitions from low to high when V_{CC} drops below the selected reset threshold or $\overline{\text{MR}}$ is pulled low. RESET remains high for the reset timeout period after V_{CC} exceeds the device reset threshold and $\overline{\text{MR}}$ deasserts. RESET is referenced to V_{CC} . |

MAX6858/MAX6860 Pin Description

| PIN | | NAME | FUNCTION |
|---------------------|--|---------------------------|--|
| MAX6858/ MAX6860 | | | |
| 1, 2 | | I.C. | Internally Connected. For increased noise immunity, connect I.C. to GND. |
| 3 | | GND | Ground |
| 4 | | $\overline{\text{RESET}}$ | Active-Low Open-Drain or Push-Pull Reset Output. $\overline{\text{RESET}}$ transitions from high to low when V_{CC} drops below the selected reset threshold. $\overline{\text{RESET}}$ remains low for the reset timeout period after V_{CC} exceeds the device reset threshold. Push-pull $\overline{\text{RESET}}$ outputs are referenced to V_{CC} . Open-drain $\overline{\text{RESET}}$ outputs require an external pullup resistor. |
| 5 | | V_{CC} | Supply Voltage. Input for V_{CC} reset monitor. For noisy systems, bypass V_{CC} with a 0.1 μ F capacitor to GND. |

Nanopower μ P Supervisory Circuits with Manual Reset and Watchdog Timer

MAX6861/MAX6862/MAX6863 Pin Description

| PIN | | NAME | FUNCTION |
|---------------------|---------|---------------------------|--|
| MAX6861/ MAX6863 | MAX6862 | | |
| 1 | 1 | CT | Reset Timeout Select Input. Connect CT low to select the D1 reset timeout output period (see Tables 1 and 4). Connect CT high (normally V _{CC}) to select the D3 reset timeout period. |
| 2 | 2 | GND | Ground |
| 3 | 3 | $\overline{\text{MR}}$ | Active-Low Manual Reset Input. Drive $\overline{\text{MR}}$ low to initiate a reset. The reset output remains asserted while $\overline{\text{MR}}$ is held low and for the reset timeout period after $\overline{\text{MR}}$ transitions high. Leave $\overline{\text{MR}}$ unconnected or connect to V _{CC} if unused. $\overline{\text{MR}}$ is internally pulled up to V _{CC} through 10k Ω . |
| 4 | — | $\overline{\text{RESET}}$ | Active-Low Open-Drain or Push-Pull Reset Output. $\overline{\text{RESET}}$ transitions from high to low when V _{CC} drops below the selected reset threshold or $\overline{\text{MR}}$ is pulled low. $\overline{\text{RESET}}$ remains low for the reset timeout period after V _{CC} exceeds the device reset threshold and $\overline{\text{MR}}$ deasserts. Push-pull $\overline{\text{RESET}}$ outputs are referenced to V _{CC} . Open-drain $\overline{\text{RESET}}$ outputs require an external pullup resistor. |
| 5 | 5 | V _{CC} | Supply Voltage. Input for V _{CC} reset monitor. For noisy systems, bypass V _{CC} with a 0.1 μ F capacitor to GND. |
| — | 4 | RESET | Active-High Push-Pull Reset Output. RESET transitions from low to high when V _{CC} drops below the selected reset threshold or $\overline{\text{MR}}$ is pulled low. RESET remains high for the reset timeout period after V _{CC} exceeds the device reset threshold and $\overline{\text{MR}}$ deasserts. RESET is referenced to V _{CC} . |

MAX6854/MAX6855/MAX6856/MAX6858/MAX6860-MAX6869

Nanopower μ P Supervisory Circuits with Manual Reset and Watchdog Timer

MAX6864/MAX6865/MAX6866 Pin Description

| PIN | | NAME | FUNCTION |
|---------------------|---------|---------------------------|--|
| MAX6864/ MAX6866 | MAX6865 | | |
| 1 | — | $\overline{\text{RESET}}$ | Active-Low Open-Drain or Push-Pull Reset Output. $\overline{\text{RESET}}$ transitions from high to low when V_{CC} drops below the selected reset threshold, $\overline{\text{MR}}$ is pulled low, or the watchdog timer expires. $\overline{\text{RESET}}$ remains low for the reset timeout period after V_{CC} exceeds the device reset threshold, $\overline{\text{MR}}$ deasserts, or after the watchdog timer expires. Push-pull $\overline{\text{RESET}}$ outputs are referenced to V_{CC} . Open-drain $\overline{\text{RESET}}$ outputs require an external pullup resistor. |
| 2 | 2 | GND | Ground |
| 3 | 3 | $\overline{\text{MR}}$ | Active-Low Manual Reset Input. Drive $\overline{\text{MR}}$ low to initiate a reset. The reset output remains asserted while $\overline{\text{MR}}$ is held low and for the reset timeout period after $\overline{\text{MR}}$ transitions high. Leave $\overline{\text{MR}}$ unconnected or connect to V_{CC} if unused. $\overline{\text{MR}}$ is internally pulled up to V_{CC} through 10k Ω . |
| 4 | 4 | WDI | Watchdog Input. If WDI remains high or low for longer than the watchdog timeout period, the internal watchdog timer expires, and a reset is triggered for the reset timeout period. The internal watchdog timer clears whenever reset is asserted, the manual reset is asserted, or WDI sees a rising or falling edge. |
| 5 | 5 | V_{CC} | Supply Voltage. Input for V_{CC} reset monitor. For noisy systems, bypass V_{CC} with a 0.1 μ F capacitor to GND. |
| — | 1 | RESET | Active-High Push-Pull Reset Output. RESET transitions from low to high when V_{CC} drops below the selected reset threshold, $\overline{\text{MR}}$ is pulled low, or the watchdog timer expires. RESET remains high for the reset timeout period after V_{CC} exceeds the device reset threshold, $\overline{\text{MR}}$ deasserts, or after the watchdog timer expires. RESET is referenced to V_{CC} . |

Nanopower μ P Supervisory Circuits with Manual Reset and Watchdog Timer

MAX6867/MAX6868/MAX6869 Pin Description

| PIN | | NAME | FUNCTION |
|---------------------|---------|---------------------------|---|
| MAX6867/ MAX6869 | MAX6868 | | |
| 1 | 1 | WDI | Watchdog Input. If WDI remains high or low for longer than the watchdog timeout period, the internal watchdog timer expires, and a reset is triggered for the reset timeout period. The internal watchdog timer clears whenever reset is asserted, the manual reset is asserted, or WDI sees a rising or falling edge. |
| 2 | 2 | GND | Ground |
| 3 | 3 | $\overline{\text{MR}}$ | Active-Low Manual Reset Input. Drive $\overline{\text{MR}}$ low to initiate a reset. The reset output remains asserted while $\overline{\text{MR}}$ is held low and for the reset timeout period after $\overline{\text{MR}}$ transitions high. Leave $\overline{\text{MR}}$ unconnected or connect to V_{CC} if unused. $\overline{\text{MR}}$ is internally pulled up to V_{CC} through 10k Ω . |
| 4 | — | $\overline{\text{RESET}}$ | Active-Low Open-Drain or Push-Pull Reset Output. $\overline{\text{RESET}}$ transitions from high to low when V_{CC} drops below the selected reset threshold, $\overline{\text{MR}}$ is pulled low, or the watchdog timer expires. $\overline{\text{RESET}}$ remains low for the reset timeout period after V_{CC} exceeds the device reset threshold, $\overline{\text{MR}}$ deasserts, or after the watchdog timer expires. Push-pull $\overline{\text{RESET}}$ outputs are referenced to V_{CC} . Open-drain $\overline{\text{RESET}}$ outputs require an external pullup resistor. |
| 5 | 5 | V_{CC} | Supply Voltage. Input for V_{CC} reset monitor. For noisy systems, bypass V_{CC} with a 0.1 μ F capacitor to GND. |
| — | 4 | RESET | Active-High Push-Pull Reset Output. RESET transitions from low to high when V_{CC} drops below the selected reset threshold, $\overline{\text{MR}}$ is pulled low, or the watchdog timer expires. RESET remains high for the reset timeout period after V_{CC} exceeds the device reset threshold, $\overline{\text{MR}}$ deasserts, or after the watchdog timer expires. RESET is referenced to V_{CC} . |

MAX6854/MAX6855/MAX6856/MAX6858/MAX6860-MAX6869

Nanopower μ P Supervisory Circuits with Manual Reset and Watchdog Timer

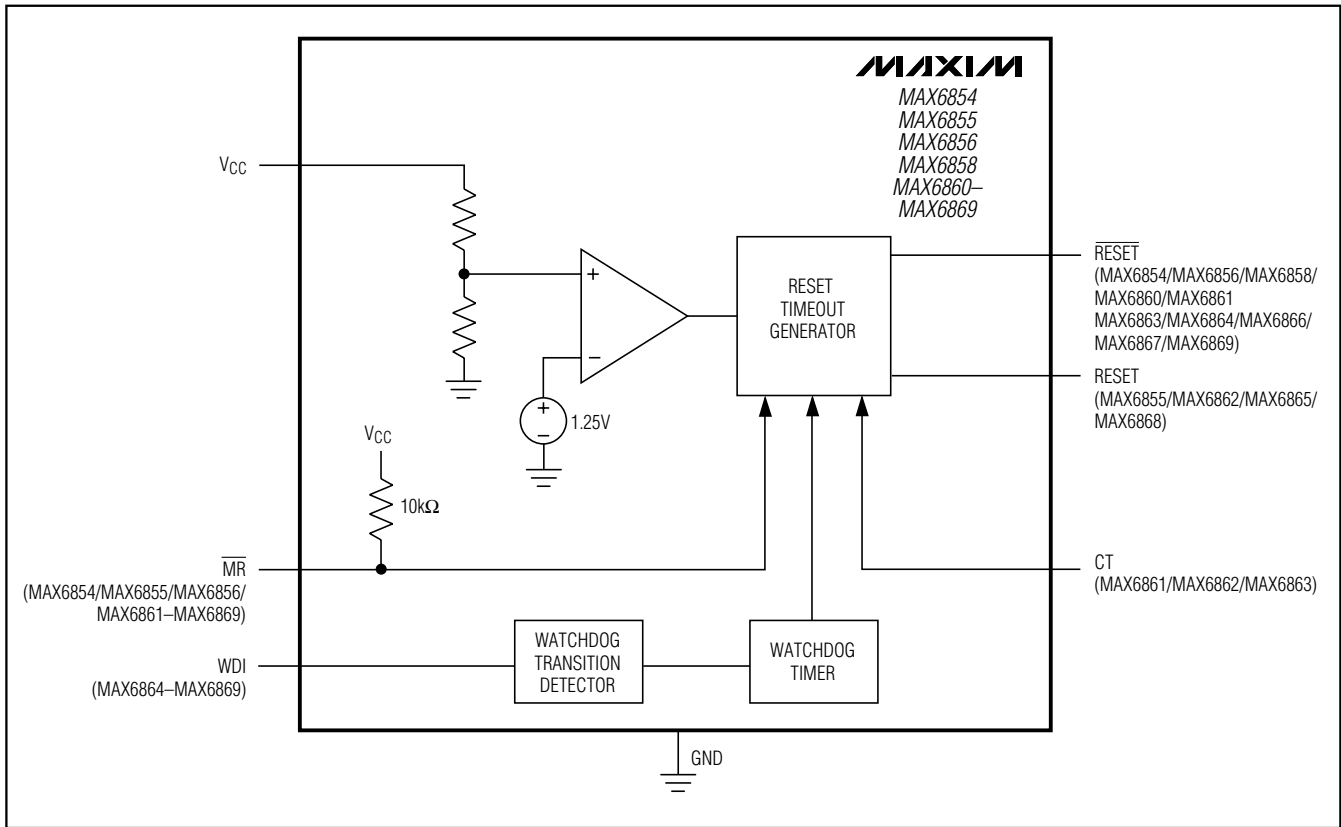


Figure 1. Functional Diagram

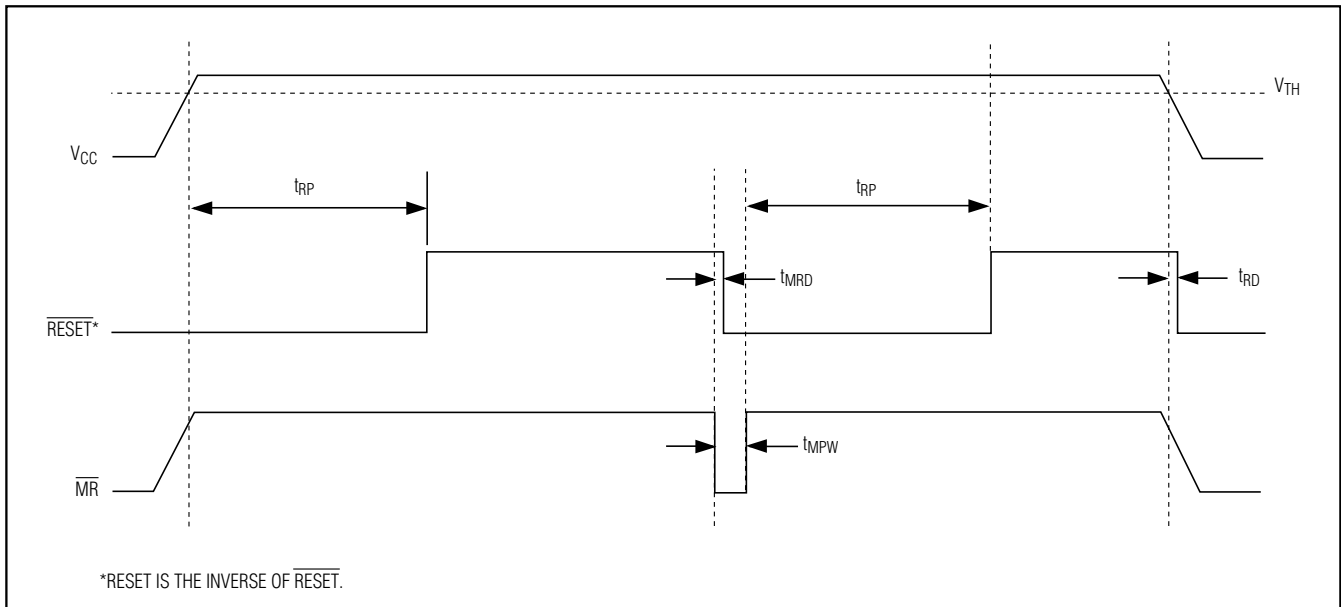


Figure 2. RESE Timing Relationship

Nanopower μ P Supervisory Circuits with Manual Reset and Watchdog Timer

MAX6854/MAX6855/MAX6856/MAX6858/MAX6860-MAX6869

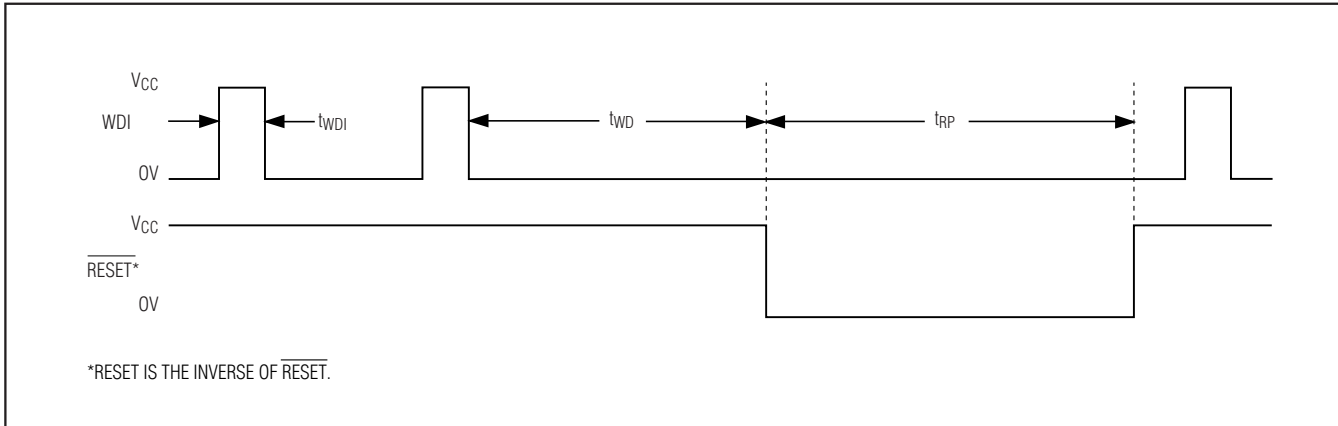


Figure 3. Detailed Watchdog Input Timing Relationship

Detailed Description

RESET/RESET Output

A μ P's reset input starts the μ P in a known state. The MAX6854/MAX6855/MAX6856/MAX6858/MAX6860-MAX6869 μ P supervisory circuits assert a reset to prevent code-execution errors during power-up, power-down, and brownout conditions. The MAX6854/MAX6855/MAX6856/MAX6858/MAX6860-MAX6869 reset output is guaranteed to be valid for V_{CC} down to 1.1V.

Whenever V_{CC} falls below the reset threshold, the reset output asserts low for $\overline{\text{RESET}}$ and high for RESET . Once V_{CC} exceeds the reset threshold, an internal timer keeps the reset output asserted for the specified reset timeout period, then after this interval the reset output deasserts (see Figure 2).

Manual Reset Input

Many μ P-based products require manual reset capability, allowing the operator, a test technician, or external logic circuitry to initiate a reset. The MAX6854/MAX6855/MAX6856/MAX6861-MAX6869 feature an $\overline{\text{MR}}$ input. A logic low on $\overline{\text{MR}}$ asserts a reset. Reset remains asserted while $\overline{\text{MR}}$ is low and for the timeout period, t_{RP} , after $\overline{\text{MR}}$ returns high. The devices provide an internal $10\text{k}\Omega$ pullup from $\overline{\text{MR}}$ to V_{CC} . Leave $\overline{\text{MR}}$ unconnected or connect to V_{CC} if unused. $\overline{\text{MR}}$ can be driven with CMOS logic levels or with open-drain/collector outputs. Connect a normally open momentary switch from $\overline{\text{MR}}$ to GND to implement a manual reset function; external debounce circuitry is not required. If $\overline{\text{MR}}$ is driven by long cables or the device is used in a noisy environment, connect a $0.1\mu\text{F}$ capacitor from $\overline{\text{MR}}$ to GND to provide additional noise immunity.

Watchdog Input

The MAX6864-MAX6869's watchdog timer circuitry monitors the μ P's activity. If the μ P does not toggle (low-to-high or high-to-low) the watchdog input (WDI) within the watchdog timeout period (t_{WDI}), reset asserts for the reset timeout period (t_{RP}). The internal timer is cleared when reset asserts, when manual reset is asserted, or by a rising or falling edge on WDI. The watchdog input detects pulses as short as 150ns. While reset is asserted the watchdog timer does not count. As soon as reset deasserts, the watchdog timer resumes counting (Figure 3).

Applications Information

Selecting the Reset Timeout Period

The reset timeout period for the MAX6854/MAX6855/MAX6856/MAX6858/MAX6860/MAX6864-MAX6869 is fixed (see Table 4). The MAX6861/MAX6862/MAX6863 feature a reset timeout select input, CT. Connect CT according to Table 1 to select between the available 10ms and 150ms (min) reset timeout periods. The timeout period can be changed while a reset timeout period is in progress, but will not update until the reset timeout period has expired.

Table 1. MAX6861/MAX6862/MAX6863 Reset Timeout Period Selection

| CT CONNECTION | MIN | TYP | MAX | UNITS |
|---------------|-----|-----|-----|-------|
| LOW | 10 | 15 | 25 | ms |
| HIGH | 150 | 225 | 300 | |

Nanopower μ P Supervisory Circuits with Manual Reset and Watchdog Timer

Transient Immunity

In addition to issuing a reset to the μ P during power-up, power-down, and brownout conditions, the MAX6854/MAX6855/MAX6856/MAX6858/MAX6860–MAX6869 are relatively immune to short-duration supply transients, or glitches. The Maximum V_{CC} Transient Duration vs. Reset Threshold Overdrive graph in the *Typical Operating Characteristics* shows this relationship.

The area below the curve of the graph is the region in which these devices typically do not generate a reset pulse. This graph was generated using a falling pulse applied to V_{CC} , starting 100mV above the actual reset threshold, V_{TH} , and ending below this threshold (reset-threshold overdrive). As the magnitude of the transient increases, the maximum allowable pulse width decreases. Typically, a 100mV V_{CC} transient duration of 40 μ s or less does not cause a reset.

Interfacing to Other Voltages for Logic Compatibility

The open-drain \overline{RESET} output can be used to interface to a μ P with other logic levels. As shown in Figure 4, the open-drain output can be connected to voltages from 0 to 5.5V.

Generally, the pullup resistor connected to \overline{RESET} connects to the supply voltage that is being monitored at the IC's V_{CC} input. However, some systems use the

open-drain output to level-shift from the monitored supply to reset circuitry powered by another supply voltage. Keep in mind that as the supervisor's V_{CC} decreases, so does the IC's ability to sink current at \overline{RESET} .

Ensuring a Valid \overline{RESET} Down to $V_{CC} = 0V$ (Push-Pull \overline{RESET})

When V_{CC} falls below 1.1V, \overline{RESET} 's current-sinking capability declines drastically. The high-impedance CMOS logic inputs connected to \overline{RESET} can drift to undetermined voltages. This presents no problems in most applications, since most μ Ps and other circuitry do not operate with V_{CC} below 1.1V.

In those applications where \overline{RESET} must be valid down to 0, add a pulldown resistor between \overline{RESET} and GND for the MAX6854/MAX6858/MAX6861/MAX6864/MAX6867 push-pull outputs. The resistor sinks any stray leakage currents, holding \overline{RESET} low (Figure 5). Choose a pulldown resistor that accommodates leakages, such that \overline{RESET} is not significantly loaded and is capable of pulling to GND. The external pulldown cannot be used with the open-drain reset outputs.

Watchdog Software Considerations

One way to help the watchdog timer monitor software execution more closely is to set and reset the watchdog

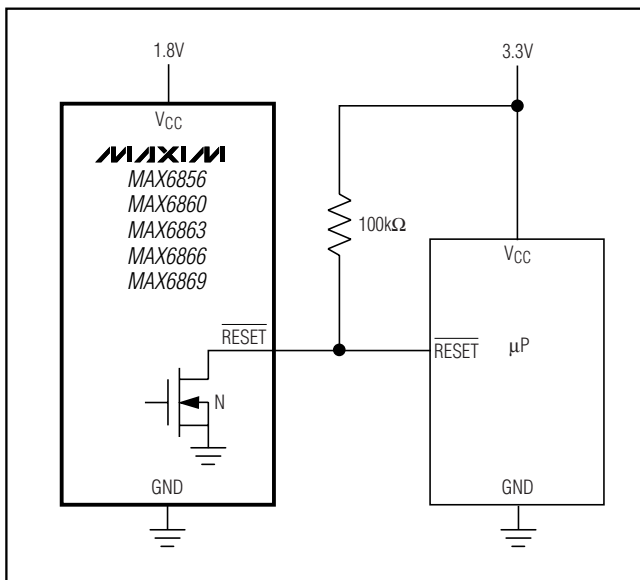


Figure 4. Interfacing with Other Voltage Levels

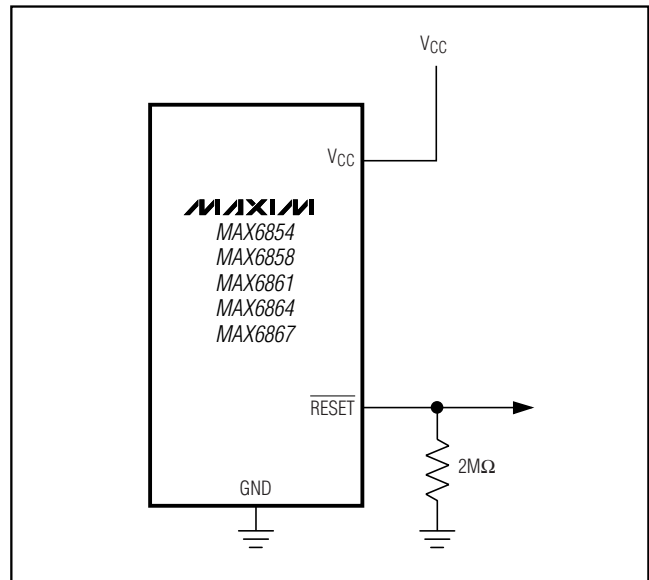


Figure 5. Ensuring \overline{RESET} Valid to $V_{CC} = \text{Ground}$

Nanopower μ P Supervisory Circuits with Manual Reset and Watchdog Timer

input at different points in the program, rather than pulsing the watchdog input high-low-high or low-high-low. This technique avoids a stuck loop, in which the watchdog timer would continue to be reset inside the loop, keeping the watchdog from timing out.

Figure 6 shows an example of a flow diagram where the I/O driving the watchdog input is set high at the beginning of the program, set low at the beginning of every subroutine or loop, then set high again when the program returns to the beginning. If the program should hang in any subroutine, the problem would quickly be corrected, since the I/O is continually set low and the watchdog timer is allowed to time out, causing a reset or interrupt to be issued.

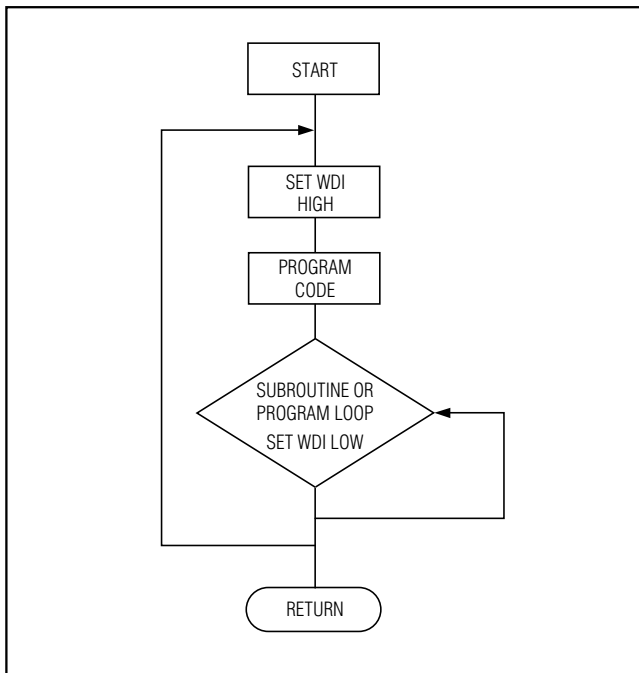


Figure 6. Watchdog Flow Diagram

Table 2. Threshold Suffix Guide

| SUFFIX | V _{CC} THRESHOLD FALLING | | | UNITS |
|--------|-----------------------------------|-------|-------|-------|
| | MIN | TYP | MAX | |
| 46 | 4.509 | 4.625 | 4.741 | V |
| 45 | 4.388 | 4.500 | 4.613 | |
| 44 | 4.266 | 4.375 | 4.484 | |
| 43 | 4.193 | 4.300 | 4.408 | |
| 42 | 4.095 | 4.200 | 4.305 | |
| 41 | 3.998 | 4.100 | 4.203 | |
| 40 | 3.900 | 4.000 | 4.100 | |
| 39 | 3.802 | 3.900 | 3.998 | |
| 38 | 3.705 | 3.800 | 3.895 | |
| 37 | 3.608 | 3.700 | 3.793 | |
| 36 | 3.510 | 3.600 | 3.690 | |
| 35 | 3.413 | 3.500 | 3.588 | |
| 34 | 3.315 | 3.400 | 3.485 | |
| 33 | 3.218 | 3.300 | 3.383 | |
| 32 | 3.120 | 3.200 | 3.280 | |
| 31 | 2.998 | 3.075 | 3.152 | |
| 30 | 2.925 | 3.000 | 3.075 | |
| 29 | 2.852 | 2.925 | 2.998 | |
| 28 | 2.730 | 2.800 | 2.870 | |
| 27 | 2.633 | 2.700 | 2.768 | |
| 26 | 2.559 | 2.625 | 2.691 | |
| 25 | 2.438 | 2.500 | 2.563 | |
| 24 | 2.340 | 2.400 | 2.460 | |
| 23 | 2.255 | 2.313 | 2.371 | |
| 225 | 2.180 | 2.235 | 2.290 | |
| 22 | 2.133 | 2.188 | 2.243 | |
| 21 | 2.048 | 2.100 | 2.153 | |
| 20 | 1.950 | 2.000 | 2.050 | |
| 19 | 1.853 | 1.900 | 1.948 | |
| 18 | 1.755 | 1.800 | 1.845 | |
| 17 | 1.623 | 1.665 | 1.707 | |
| 16 | 1.536 | 1.575 | 1.614 | |

Table 3. Watchdog Timeout

| SUFFIX | WATCHDOG TIMEOUT PERIOD | | | UNITS |
|--------|-------------------------|-----|------|-------|
| | MIN | TYP | MAX | |
| S | 1.5 | 3.3 | 7.75 | s |
| L | 95 | 209 | 487 | |

MAX6854/MAX6855/MAX6856/MAX6858/MAX6860-MAX6869

Nanopower μ P Supervisory Circuits with Manual Reset and Watchdog Timer

Table 4. Reset Timeout Periods

| TIMEOUT OPTION | RESET TIMEOUT PERIODS | | | UNITS |
|----------------|-----------------------|------|------|-------|
| | MIN | TYP | MAX | |
| D1 | 10 | 15 | 25 | ms |
| D2 | 40 | 60 | 80 | |
| D3 | 150 | 225 | 300 | |
| D4 | 1200 | 1800 | 2400 | |
| D5 | 300 | 450 | 600 | |
| D6 | 600 | 900 | 1200 | |

Table 5. Standard Versions

| PART | TOP MARK |
|----------------|----------|
| MAX6854UK16D3 | AEFS |
| MAX6854UK23D3 | AEFY |
| MAX6854UK26D3 | AEFZ |
| MAX6854UK29D3 | AEGA |
| MAX6854UK31D3 | AEGB |
| MAX6856UK16D3 | AEGR |
| MAX6856UK23D3 | AEGS |
| MAX6856UK26D3 | AEGT |
| MAX6856UK29D3 | AEGU |
| MAX6856UK31D3 | AEGV |
| MAX6861UK17 | AEKO |
| MAX6861UK225 | AEKS |
| MAX6861UK26 | AEKP |
| MAX6861UK29 | AEKQ |
| MAX6862UK17 | AEOS |
| MAX6862UK225 | AEOT |
| MAX6862UK26 | AEOU |
| MAX6862UK29 | AEOV |
| MAX6863UK17 | AEOW |
| MAX6863UK225 | AEOX |
| MAX6863UK26 | AEOY |
| MAX6863UK29 | AEOZ |
| MAX6864UK16D3S | AEGC |
| MAX6864UK23D3S | AEGD |
| MAX6864UK26D3S | AEGE |
| MAX6864UK29D3S | AEGF |
| MAX6864UK31D3S | AEGG |
| MAX6866UK16D3S | AEGW |
| MAX6866UK23D3S | AEGX |
| MAX6866UK26D3S | AEGY |
| MAX6866UK29D3S | AEFT |
| MAX6866UK31D3S | AEGZ |

Ordering Information (continued)

| PART [†] | TEMP RANGE | PIN-PACKAGE |
|-------------------|----------------|-------------|
| MAX6856UK__D_-T | -40°C to +85°C | 5 SOT23-5 |
| MAX6858UK__D_-T | -40°C to +85°C | 5 SOT23-5 |
| MAX6860UK__D_-T | -40°C to +85°C | 5 SOT23-5 |
| MAX6861UK__-T | -40°C to +85°C | 5 SOT23-5 |
| MAX6862UK__-T | -40°C to +85°C | 5 SOT23-5 |
| MAX6863UK__-T | -40°C to +85°C | 5 SOT23-5 |
| MAX6864UK__D__-T | -40°C to +85°C | 5 SOT23-5 |
| MAX6865UK__D__-T | -40°C to +85°C | 5 SOT23-5 |
| MAX6866UK__D__-T | -40°C to +85°C | 5 SOT23-5 |
| MAX6867UK__D__-T | -40°C to +85°C | 5 SOT23-5 |
| MAX6868UK__D__-T | -40°C to +85°C | 5 SOT23-5 |
| MAX6869UK__D__-T | -40°C to +85°C | 5 SOT23-5 |

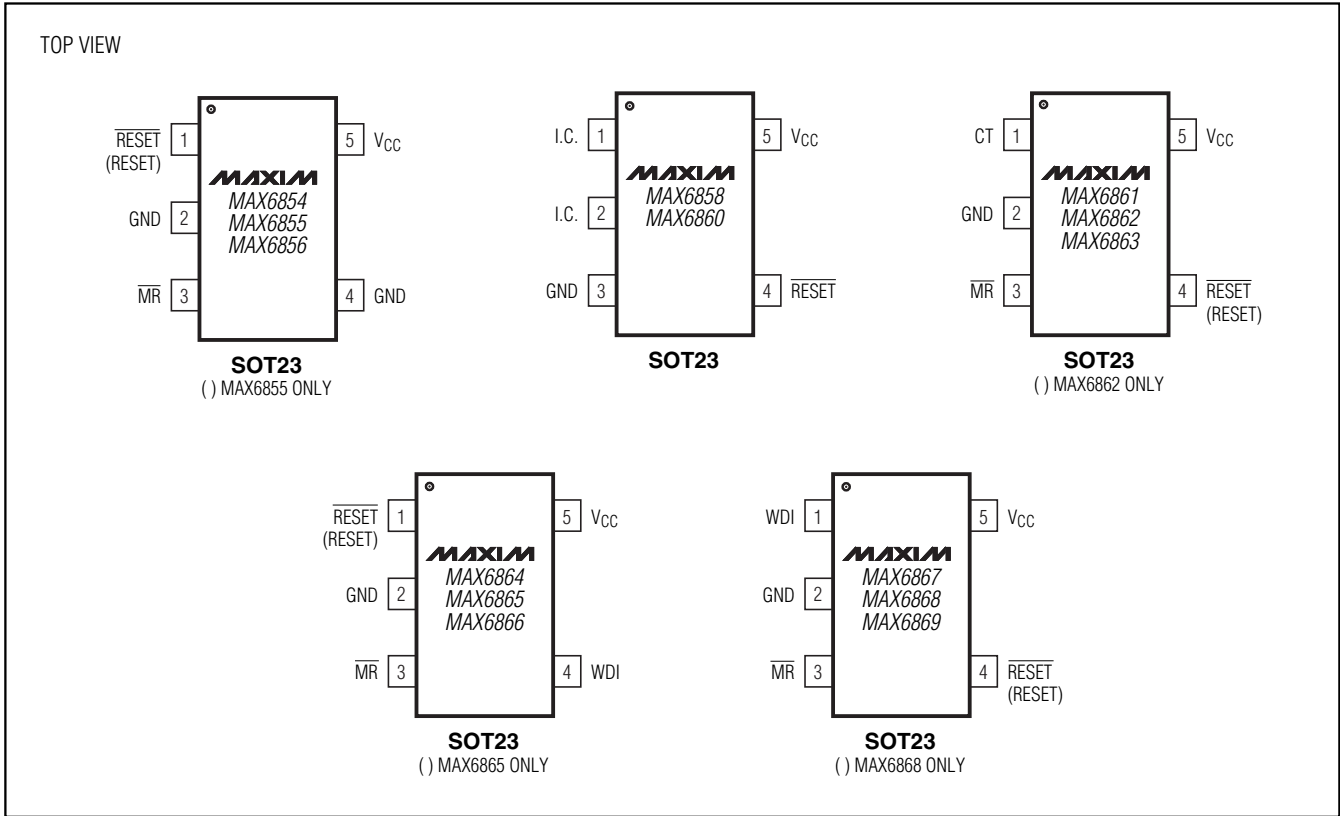
[†] Insert reset threshold suffix (see Table 2, Threshold Suffix Guide) after UK. Insert the number corresponding to the desired reset timeout period (see Table 4, Reset Timeout Period) after D. Insert the letter corresponding to the desired watchdog timeout period (S or L, see Table 3) into the blank following the reset timeout period suffix for the MAX6864–MAX6869.

Note: Sample stock is generally held on standard versions only (see Table 5, Standard Versions Table). Standard versions have an order increment of 2500 pieces. Nonstandard versions have an order increment of 10,000 pieces. Contact factory for availability of nonstandard versions.

Devices are available in both leaded and lead-free packaging. Specify lead-free by replacing “-T” with “+T” when ordering.

Nanopower μ P Supervisory Circuits with Manual Reset and Watchdog Timer

Pin Configurations



MAX6854/MAX6855/MAX6856/MAX6858/MAX6860-MAX6869

Nanopower μ P Supervisory Circuits with Manual Reset and Watchdog Timer

Selector Guide

| PART | RESET OUTPUT | | | $\overline{\text{MR}}$ | WDI | CT |
|---------|----------------------|-----------------------|-----------------------|------------------------|-----|----|
| | PUSH-PULL ACTIVE LOW | PUSH-PULL ACTIVE HIGH | OPEN-DRAIN ACTIVE LOW | | | |
| MAX6854 | √ | — | — | √ | — | — |
| MAX6855 | — | √ | — | √ | — | — |
| MAX6856 | — | — | √ | √ | — | — |
| MAX6858 | √ | — | — | — | — | — |
| MAX6860 | — | — | √ | — | — | — |
| MAX6861 | √ | — | — | √ | — | √ |
| MAX6862 | — | √ | — | √ | — | √ |
| MAX6863 | — | — | √ | √ | — | √ |
| MAX6864 | √ | — | — | √ | √ | — |
| MAX6865 | — | √ | — | √ | √ | — |
| MAX6866 | — | — | √ | √ | √ | — |
| MAX6867 | √ | — | — | √ | √ | — |
| MAX6868 | — | √ | — | √ | √ | — |
| MAX6869 | — | — | √ | √ | √ | — |

Chip Information

TRANSISTOR COUNT: 2848

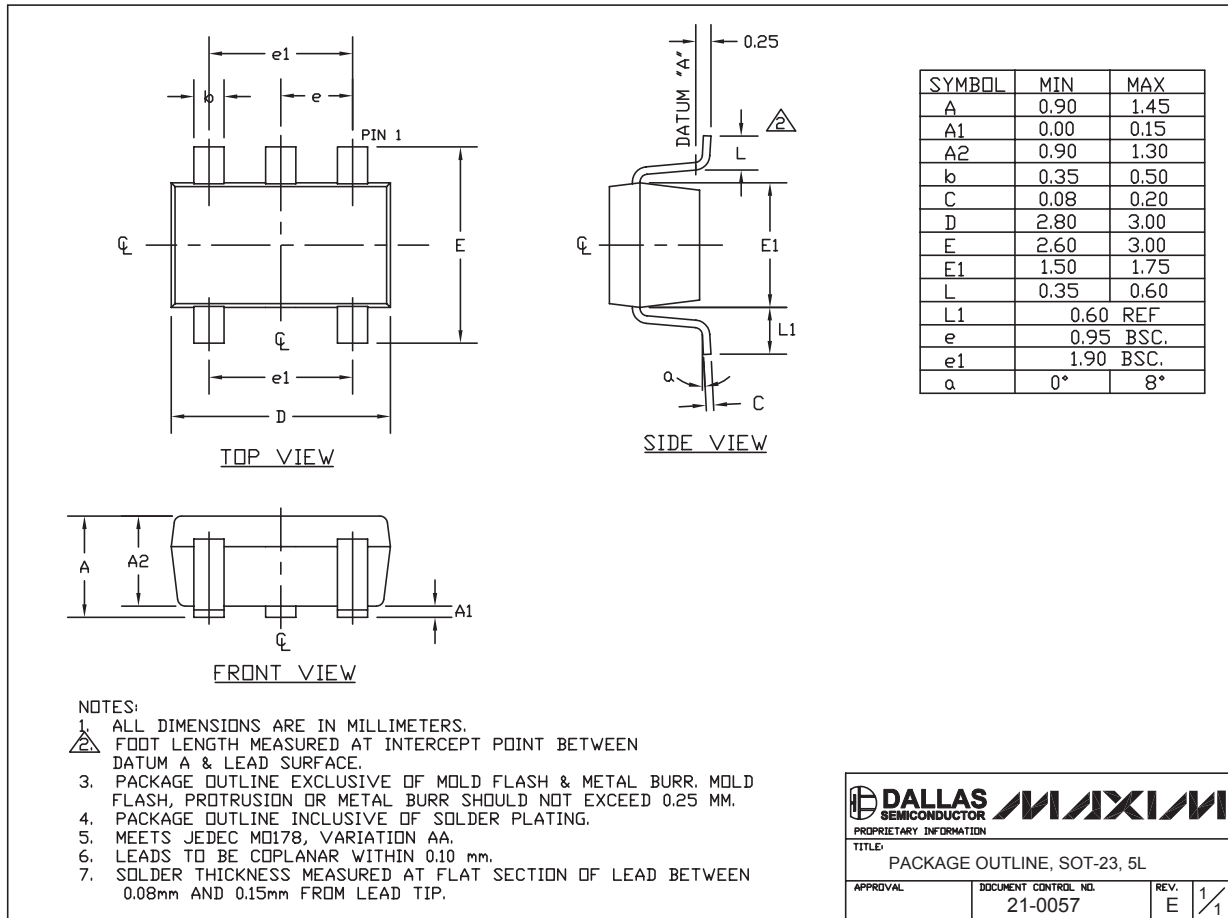
PROCESS: BiCMOS

MAX6854/MAX6855/MAX6856/MAX6858/MAX6860-MAX6869

Nanopower μ P Supervisory Circuits with Manual Reset and Watchdog Timer

Package Information

(The package drawing(s) in this data sheet may not reflect the most current specifications. For the latest package outline information go to www.maxim-ic.com/packages.)



SOT-23 5L .EPS

MAX6854/MAX6855/MAX6856/MAX6858/MAX6860-MAX6869

Maxim cannot assume responsibility for use of any circuitry other than circuitry entirely embodied in a Maxim product. No circuit patent licenses are implied. Maxim reserves the right to change the circuitry and specifications without notice at any time.

Maxim Integrated Products, 120 San Gabriel Drive, Sunnyvale, CA 94086 408-737-7600 17

Mouser Electronics

Authorized Distributor

Click to View Pricing, Inventory, Delivery & Lifecycle Information:

Maxim Integrated:

[MAX6856UK29D3+T](#) [MAX6867UK17D3S+T](#) [MAX6854UK16D1+T](#) [MAX6854UK16D2+T](#) [MAX6854UK16D3+T](#)
[MAX6854UK16D4+T](#) [MAX6854UK16D5+T](#) [MAX6854UK16D6+T](#) [MAX6854UK17D1+T](#) [MAX6854UK17D2+T](#)
[MAX6854UK17D3+T](#) [MAX6854UK17D4+T](#) [MAX6854UK17D5+T](#) [MAX6854UK17D6+T](#) [MAX6854UK18D1+T](#)
[MAX6854UK18D2+T](#) [MAX6854UK18D3+T](#) [MAX6854UK18D4+T](#) [MAX6854UK18D5+T](#) [MAX6854UK18D6+T](#)
[MAX6854UK19D1+T](#) [MAX6854UK19D2+T](#) [MAX6854UK19D3+T](#) [MAX6854UK19D4+T](#) [MAX6854UK19D5+T](#)
[MAX6854UK19D6+T](#) [MAX6854UK20D1+T](#) [MAX6854UK20D2+T](#) [MAX6854UK20D3+T](#) [MAX6854UK20D4+T](#)
[MAX6854UK20D5+T](#) [MAX6854UK20D6+T](#) [MAX6854UK21D1+T](#) [MAX6854UK21D2+T](#) [MAX6854UK21D3+T](#)
[MAX6854UK21D4+T](#) [MAX6854UK21D5+T](#) [MAX6854UK21D6+T](#) [MAX6854UK22D1+T](#) [MAX6854UK22D2+T](#)
[MAX6854UK22D3+T](#) [MAX6854UK22D4+T](#) [MAX6854UK22D5+T](#) [MAX6854UK22D6+T](#) [MAX6854UK23D1+T](#)
[MAX6854UK23D2+T](#) [MAX6854UK23D3+T](#) [MAX6854UK23D4+T](#) [MAX6854UK23D5+T](#) [MAX6854UK23D6+T](#)
[MAX6854UK24D1+T](#) [MAX6854UK24D2+T](#) [MAX6854UK24D3+T](#) [MAX6854UK24D4+T](#) [MAX6854UK24D5+T](#)
[MAX6854UK25D1+T](#) [MAX6854UK25D2+T](#) [MAX6854UK25D3+T](#) [MAX6854UK25D4+T](#) [MAX6854UK25D5+T](#)
[MAX6854UK25D6+T](#) [MAX6854UK26D1+T](#) [MAX6854UK26D2+T](#) [MAX6854UK26D3+T](#) [MAX6854UK26D4+T](#)
[MAX6854UK26D5+T](#) [MAX6854UK26D6+T](#) [MAX6854UK27D1+T](#) [MAX6854UK27D2+T](#) [MAX6854UK27D3+T](#)
[MAX6854UK27D4+T](#) [MAX6854UK27D5+T](#) [MAX6854UK27D6+T](#) [MAX6854UK28D1+T](#) [MAX6854UK28D2+T](#)
[MAX6854UK28D3+T](#) [MAX6854UK28D4+T](#) [MAX6854UK28D5+T](#) [MAX6854UK28D6+T](#) [MAX6854UK29D1+T](#)
[MAX6854UK29D2+T](#) [MAX6854UK29D3+T](#) [MAX6854UK29D4+T](#) [MAX6854UK29D5+T](#) [MAX6854UK29D6+T](#)
[MAX6854UK30D1+T](#) [MAX6854UK30D2+T](#) [MAX6854UK30D3+T](#) [MAX6854UK30D4+T](#) [MAX6854UK30D5+T](#)
[MAX6854UK30D6+T](#) [MAX6854UK31D1+T](#) [MAX6854UK31D2+T](#) [MAX6854UK31D3+T](#) [MAX6854UK31D4+T](#)
[MAX6854UK31D5+T](#) [MAX6854UK31D6+T](#) [MAX6854UK32D1+T](#) [MAX6854UK32D2+T](#) [MAX6854UK32D3+T](#)