



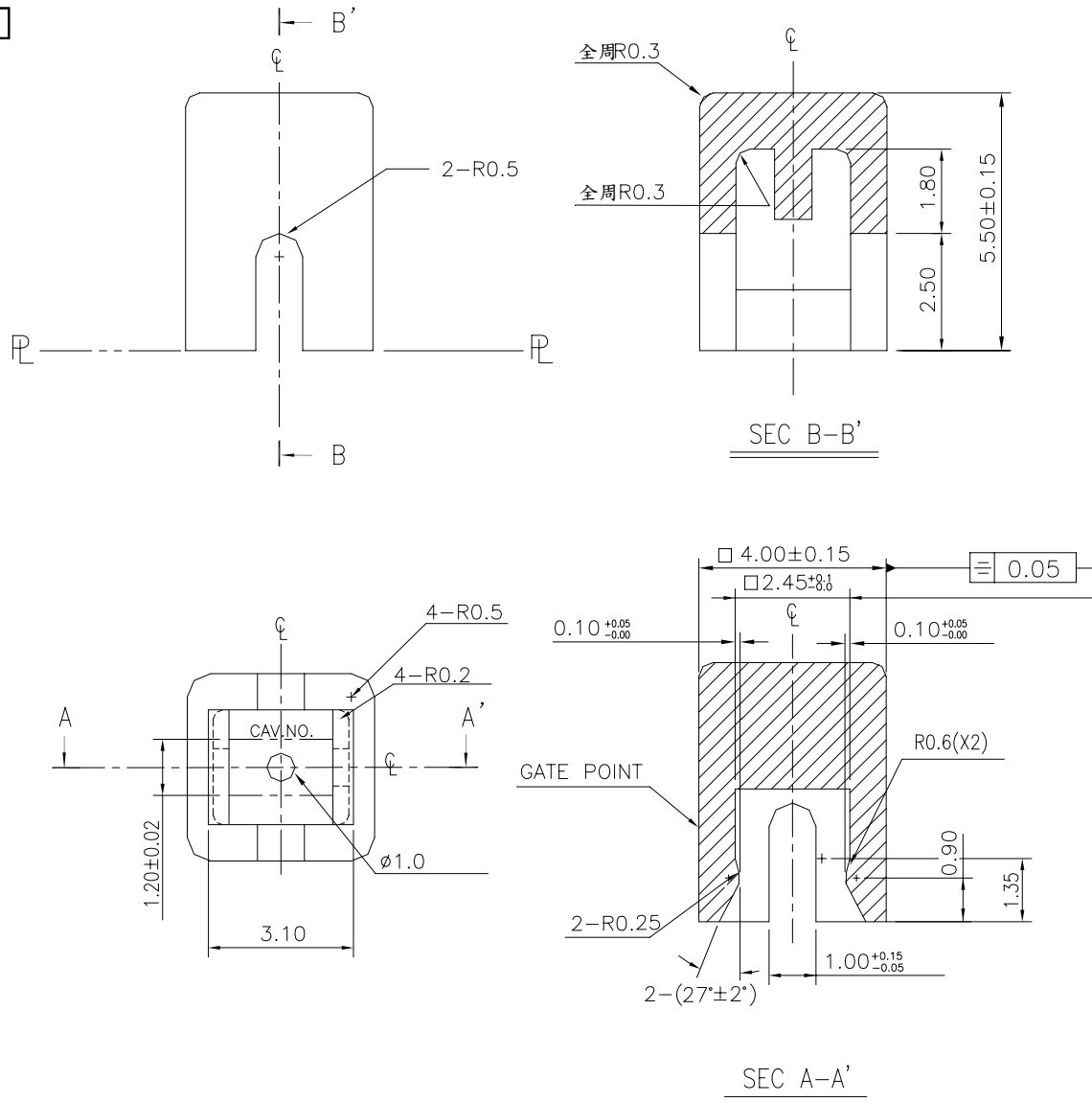
DIPTRONICS MANUFACTURING INC.

KTSC-6(2) SERIES



DIMENSIONS

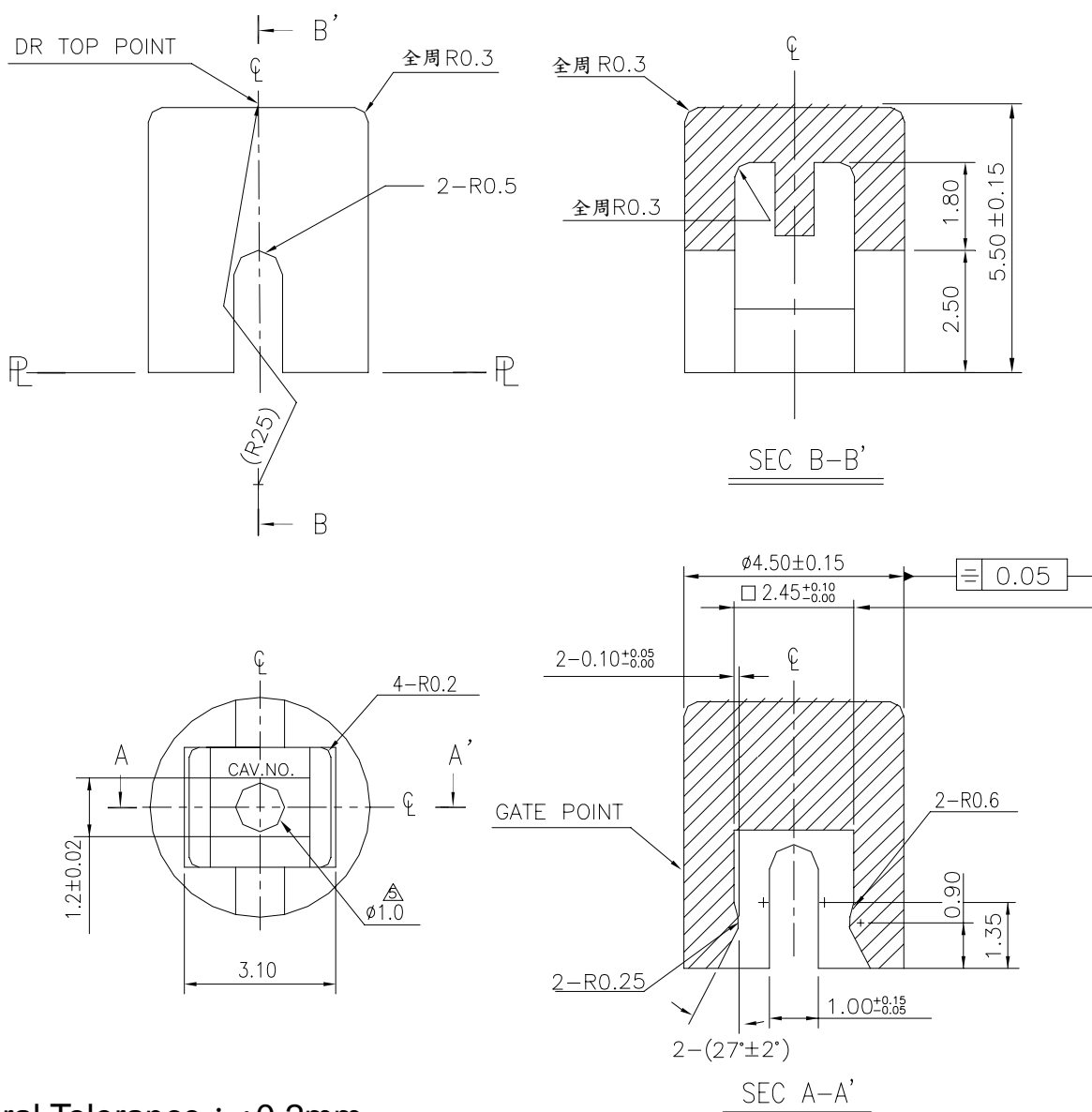
KTSC-61



附 表 A	PART NO.	COLOR		TYPE
		Y	黄色 (YELLOW)	
KTSC-61	B	蓝色 (BLUE)	方形 (SQUARE)	
	R	红色 (RED)		
	I	象牙色 (IVORY)		
	K	黑色 (BLACK)		
	G	绿色 (GREEN)		
	S	橙色 (SALMON)		
	Ge	灰色 (GREY)		

General Tolerance : $\pm 0.2mm$

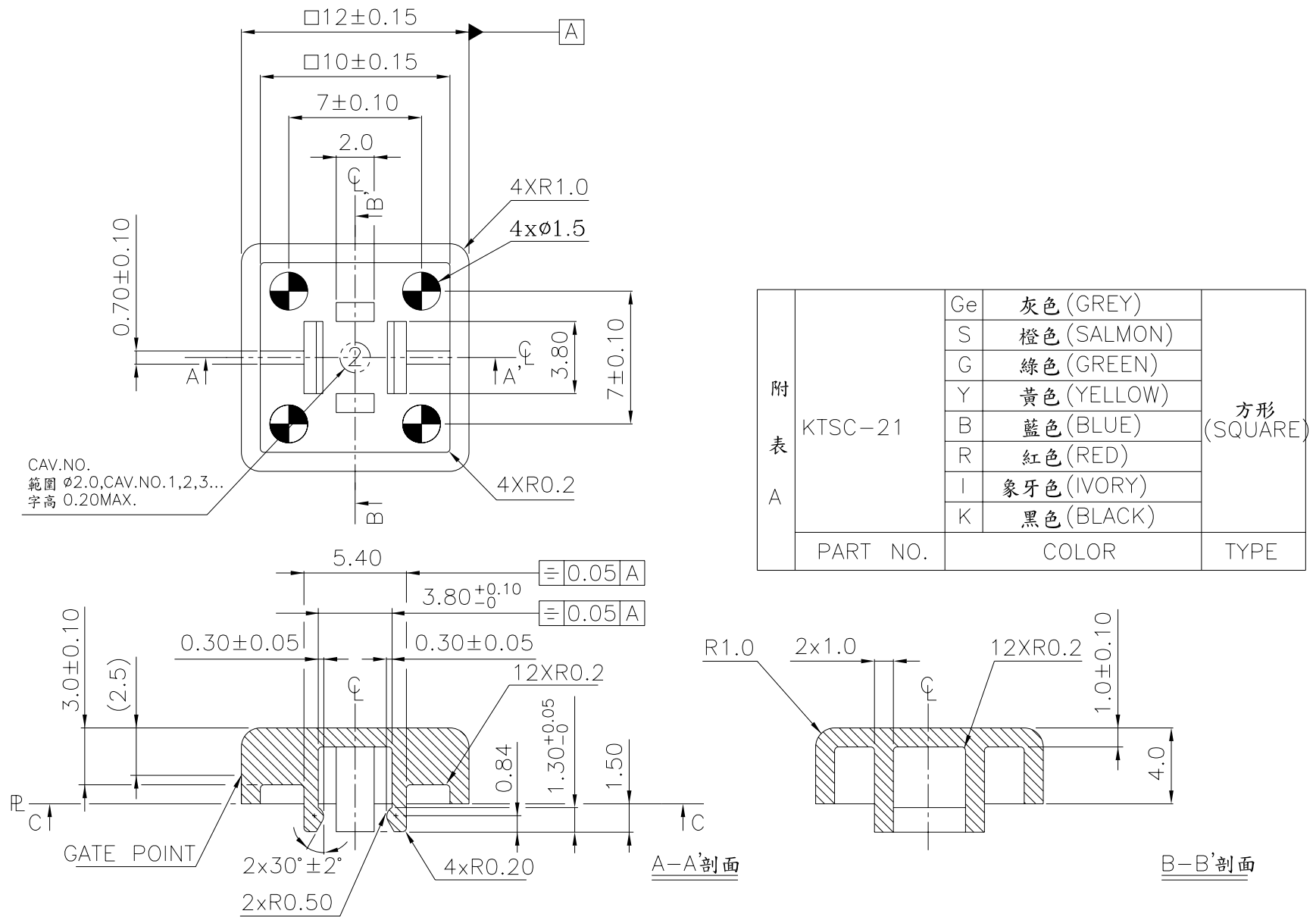
KTSC-62



附 表 A	PART NO.	COLOR		TYPE
		Y	黄色 (YELLOW)	
KTSC-62	B	蓝色 (BLUE)	圆形 (Circular)	
	R	红色 (RED)		
	I	象牙白 (IVORY)		
	K	黑色 (BLACK)		
	G	绿色 (GREEN)		
	S	橙色 (SALMON)		
	Ge	灰色 (GREY)		

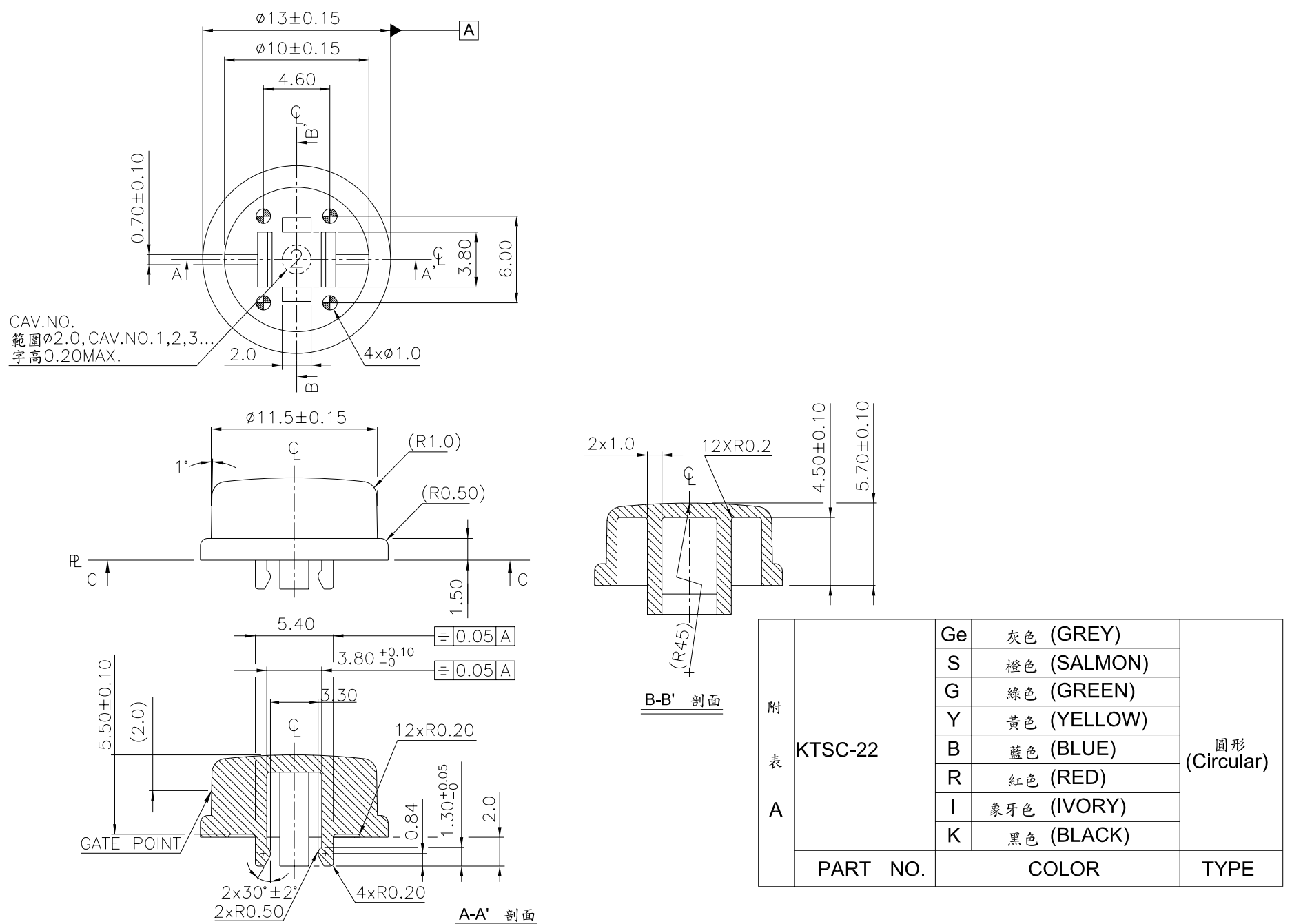
General Tolerance : $\pm 0.2mm$

KTSC-21



General Tolerance : $\pm 0.2\text{mm}$

KTSC-22



General Tolerance : $\pm 0.2\text{mm}$

CAP PART NO.

KTSC -

Cap color :
 Y = Yellow
 B = Blue
 R = Red
 I = Ivory
 K = Black
 G = Green
 S = Salmon
 Ge = Gray

Cap Type :
 1 = Square
 2 = Round

Prod. Size : <Tactile Switch>
 6 = 6X6 mm <Only For DTS-644&648>
 2 = 12X12 mm <Only For DTS-24>

▲ <Bulk Pack>

SPECIFICATION

△ MECHANICAL

Operation Temperature Range : -25°C to +70°C

Storage Temperature Range : -30°C to +80°C

MATERIAL

△ CAP : Termoplastic ABS

PACKING

Part Number	Number Per Bag	Number Per Tube
KTSC-6 <input type="checkbox"/> <input type="checkbox"/>	1500	
KTSC-2 <input type="checkbox"/> <input type="checkbox"/>	500	