

## Features

- Fast Read Access Time – 70 ns
- 5-volt Only Reprogramming
- Sector Program Operation
  - Single Cycle Reprogram (Erase and Program)
  - 512 Sectors (128 Bytes/Sector)
  - Internal Address and Data Latches for 128 Bytes
- Internal Program Control and Timer
- Hardware and Software Data Protection
- Fast Sector Program Cycle Time – 10 ms
- DATA Polling for End of Program Detection
- Low Power Dissipation
  - 50 mA Active Current
  - 300  $\mu$ A CMOS Standby Current
- Typical Endurance > 10,000 Cycles
- Single 5V  $\pm$  10% Supply
- CMOS and TTL Compatible Inputs and Outputs
- Green (Pb/Halide-free) Packaging Option

## 1. Description

The AT29C512 is a 5-volt only in-system Flash programmable and erasable read only memory (PEROM). Its 512K of memory is organized as 65,536 words by 8 bits. Manufactured with Atmel's advanced nonvolatile CMOS technology, the device offers access times to 70 ns with power dissipation of just 275 mW over the industrial temperature range. When the device is deselected, the CMOS standby current is less than 300  $\mu$ A. The device endurance is such that any sector can typically be written to in excess of 10,000 times.

To allow for simple in-system reprogrammability, the AT29C512 does not require high input voltages for programming. Five-volt-only commands determine the operation of the device. Reading data out of the device is similar to reading from an EPROM. Reprogramming the AT29C512 is performed on a sector basis; 128 bytes of data are loaded into the device and then simultaneously programmed.

During a reprogram cycle, the address locations and 128 bytes of data are internally latched, freeing the address and data bus for other operations. Following the initiation of a program cycle, the device will automatically erase the sector and then program the latched data using an internal control timer. The end of a program cycle can be detected by DATA polling of I/O7. Once the end of a program cycle has been detected, a new access for a read or program can begin.



## 512K (64K x 8) 5-volt Only Flash Memory

### AT29C512

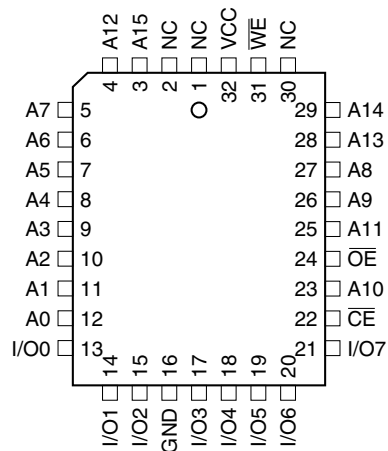
#### Not Recommended for New Design

Contact Atmel to discuss  
the latest design in trends  
and options

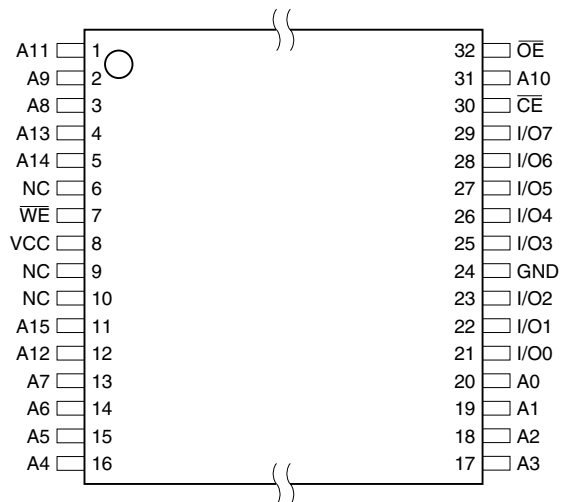
## 2. Pin Configurations

| Pin Name               | Function            |
|------------------------|---------------------|
| A0 - A15               | Addresses           |
| $\overline{\text{CE}}$ | Chip Enable         |
| $\overline{\text{OE}}$ | Output Enable       |
| $\overline{\text{WE}}$ | Write Enable        |
| I/O0 - I/O7            | Data Inputs/Outputs |
| NC                     | No Connect          |

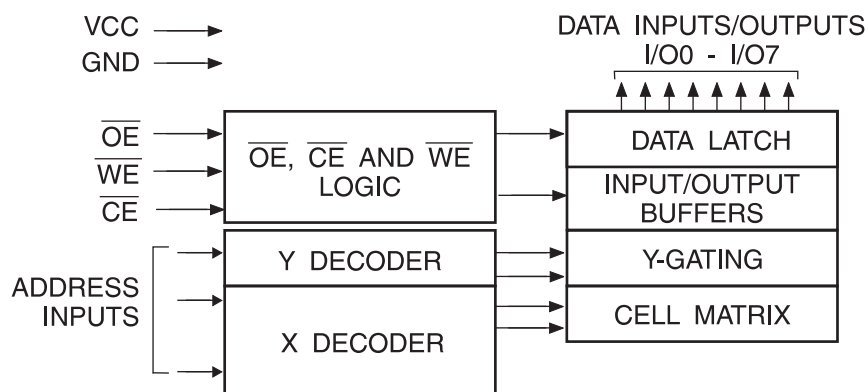
### 2.1 32-lead PLCC Top View



### 2.2 32-lead TSOP (Type 1) Top View



### 3. Block Diagram



### 4. Device Operation

#### 4.1 Read

The AT29C512 is accessed like an EPROM. When  $\overline{CE}$  and  $\overline{OE}$  are low and  $\overline{WE}$  is high, the data stored at the memory location determined by the address pins is asserted on the outputs. The outputs are put in the high impedance state whenever  $\overline{CE}$  or  $\overline{OE}$  is high. This dual-line control gives designers flexibility in preventing bus contention.

#### 4.2 Byte Load

Byte loads are used to enter the 128 bytes of a sector to be programmed or the software codes for data protection. A byte load is performed by applying a low pulse on the  $\overline{WE}$  or  $\overline{CE}$  input with  $\overline{CE}$  or  $\overline{WE}$  low (respectively) and  $\overline{OE}$  high. The address is latched on the falling edge of  $\overline{CE}$  or  $\overline{WE}$ , whichever occurs last. The data is latched by the first rising edge of  $\overline{CE}$  or  $\overline{WE}$ .

#### 4.3 Program

The device is reprogrammed on a sector basis. If a byte of data within a sector is to be changed, data for the entire sector must be loaded into the device. Any byte that is not loaded during the programming of its sector will be indeterminate. Once the bytes of a sector are loaded into the device, they are simultaneously programmed during the internal programming period. After the first data byte has been loaded into the device, successive bytes are entered in the same manner. Each new byte to be programmed must have its high-to-low transition on  $\overline{WE}$  (or  $\overline{CE}$ ) within 150  $\mu$ s of the low-to-high transition of  $\overline{WE}$  (or  $\overline{CE}$ ) of the preceding byte. If a high-to-low transition is not detected within 150  $\mu$ s of the last low-to-high transition, the load period will end and the internal programming period will start. A7 to A15 specify the sector address. The sector address must be valid during each high-to-low transition of  $\overline{WE}$  (or  $\overline{CE}$ ). A0 to A6 specify the byte address within the sector. The bytes may be loaded in any order; sequential loading is not required. Once a programming operation has been initiated, and for the duration of  $t_{WC}$ , a read operation will effectively be a polling operation.

## 4.4 Software Data Protection

A software controlled data protection feature is available on the AT29C512. Once the software protection is enabled a software algorithm must be issued to the device before a program may be performed. The software protection feature may be enabled or disabled by the user; when shipped from Atmel, the software data protection feature is disabled. To enable the software data protection, a series of three program commands to specific addresses with specific data must be performed. After the software data protection is enabled the same three program commands must begin each program cycle in order for the programs to occur. All software program commands must obey the sector program timing specifications. Once set, the software data protection feature remains active unless its disable command is issued. Power transitions will not reset the software data protection feature; however, the software feature will guard against inadvertent program cycles during power transitions.

Once set, software data protection will remain active unless the disable command sequence is issued.

After setting SDP, any attempt to write to the device without the 3-byte command sequence will start the internal write timers. No data will be written to the device; however, for the duration of  $t_{WC}$ , a read operation will effectively be a polling operation.

After the software data protection's 3-byte command code is given, a byte load is performed by applying a low pulse on the  $\overline{WE}$  or  $\overline{CE}$  input with  $\overline{CE}$  or  $\overline{WE}$  low (respectively) and  $\overline{OE}$  high. The address is latched on the falling edge of  $\overline{CE}$  or  $\overline{WE}$ , whichever occurs last. The data is latched by the first rising edge of  $\overline{CE}$  or  $\overline{WE}$ . The 128 bytes of data must be loaded into each sector by the same procedure as outlined in the program section under device operation.

## 4.5 Hardware Data Protection

Hardware features protect against inadvertent programs to the AT29C512 in the following ways: (a)  $V_{CC}$  sense – if  $V_{CC}$  is below 3.8V (typical), the program function is inhibited; (b)  $V_{CC}$  power on delay – once  $V_{CC}$  has reached the  $V_{CC}$  sense level, the device will automatically time out 5 ms (typical) before programming; (c) Program inhibit – holding any one of  $\overline{OE}$  low,  $\overline{CE}$  high or  $\overline{WE}$  high inhibits program cycles; and (d) Noise filter – pulses of less than 15 ns (typical) on the  $\overline{WE}$  or  $\overline{CE}$  inputs will not initiate a program cycle.

## 4.6 Product Identification

The product identification mode identifies the device and manufacturer as Atmel. It may be accessed by hardware or software operation. The hardware operation mode can be used by an external programmer to identify the correct programming algorithm for the Atmel product. In addition, users may wish to use the software product identification mode to identify the part (i.e., using the device code), and have the system software use the appropriate sector size for program operations. In this manner, the user can have a common board design for 256K to 4-megabit densities and, with each density's sector size in a memory map, have the system software apply the appropriate sector size.

For details, see Operating Modes (for hardware operation) or Software Product Identification. The manufacturer and device code is the same for both modes.

#### 4.7 $\overline{\text{DATA}}$ Polling

The AT29C512 features  $\overline{\text{DATA}}$  polling to indicate the end of a program cycle. During a program cycle an attempted read of the last byte loaded will result in the complement of the loaded data on I/O7. Once the program cycle has been completed, true data is valid on all outputs and the next cycle may begin.  $\overline{\text{DATA}}$  polling may begin at any time during the program cycle.

#### 4.8 Toggle Bit

In addition to  $\overline{\text{DATA}}$  polling the AT29C512 provides another method for determining the end of a program or erase cycle. During a program or erase operation, successive attempts to read data from the device will result in I/O6 toggling between one and zero. Once the program cycle has completed, I/O6 will stop toggling and valid data will be read. Examining the toggle bit may begin at any time during a program cycle.

#### 4.9 Optional Chip Erase Mode

The entire device can be erased by using a 6-byte software code. Please see Software Chip Erase application note for details.

### 5. Absolute Maximum Ratings\*

|                                                                           |                          |
|---------------------------------------------------------------------------|--------------------------|
| Temperature Under Bias .....                                              | -55°C to +125°C          |
| Storage Temperature.....                                                  | -65°C to +150°C          |
| All Input Voltages<br>(including NC Pins)<br>with Respect to Ground ..... | -0.6V to +6.25V          |
| All Output Voltages<br>with Respect to Ground .....                       | -0.6V to $V_{CC} + 0.6V$ |
| Voltage on $\overline{\text{OE}}$<br>with Respect to Ground .....         | -0.6V to +13.5V          |

\*NOTICE: Stresses beyond those listed under “Absolute Maximum Ratings” may cause permanent damage to the device. This is a stress rating only and functional operation of the device at these or any other conditions beyond those indicated in the operational sections of this specification is not implied. Exposure to absolute maximum rating conditions for extended periods may affect device reliability.

## 6. DC and AC Operating Range

|                              |            | AT29C512-70  | AT29C512-90  |
|------------------------------|------------|--------------|--------------|
| Operating Temperature (Case) | Industrial | -40°C - 85°C | -40°C - 85°C |
| $V_{CC}$ Power Supply        |            | 5V $\pm$ 5%  | 5V $\pm$ 10% |

## 7. Operating Modes

| Mode                    | $\overline{CE}$ | $\overline{OE}$  | $\overline{WE}$ | Ai                                                                | I/O                              |
|-------------------------|-----------------|------------------|-----------------|-------------------------------------------------------------------|----------------------------------|
| Read                    | $V_{IL}$        | $V_{IL}$         | $V_{IH}$        | Ai                                                                | $D_{OUT}$                        |
| Program <sup>(2)</sup>  | $V_{IL}$        | $V_{IH}$         | $V_{IL}$        | Ai                                                                | $D_{IN}$                         |
| 5V Chip Erase           | $V_{IL}$        | $V_{IH}$         | $V_{IL}$        | Ai                                                                |                                  |
| Standby/Write Inhibit   | $V_{IH}$        | X <sup>(1)</sup> | X               | X                                                                 | High Z                           |
| Program Inhibit         | X               | X                | $V_{IH}$        |                                                                   |                                  |
| Program Inhibit         | X               | $V_{IL}$         | X               |                                                                   |                                  |
| Output Disable          | X               | $V_{IH}$         | X               |                                                                   | High Z                           |
| Product Identification  |                 |                  |                 |                                                                   |                                  |
| Hardware                | $V_{IL}$        | $V_{IL}$         | $V_{IH}$        | A1 - A15 = $V_{IL}$ , A9 = $V_{H}$ , <sup>(3)</sup> A0 = $V_{IL}$ | Manufacturer Code <sup>(4)</sup> |
|                         |                 |                  |                 | A1-A15 = $V_{IL}$ , A9 = $V_{H}$ , <sup>(3)</sup> A0 = $V_{IH}$   | Device Code <sup>(4)</sup>       |
| Software <sup>(5)</sup> |                 |                  |                 | A0 = $V_{IL}$                                                     | Manufacturer Code <sup>(4)</sup> |
|                         |                 |                  |                 | A0 = $V_{IH}$                                                     | Device Code <sup>(4)</sup>       |

- Notes:
- X can be  $V_{IL}$  or  $V_{IH}$ .
  - Refer to AC Programming Waveforms.
  - $V_{H} = 12.0V \pm 0.5V$ .
  - Manufacturer Code: 1F, Device Code: 5D.
  - See details under Software Product Identification Entry/Exit.

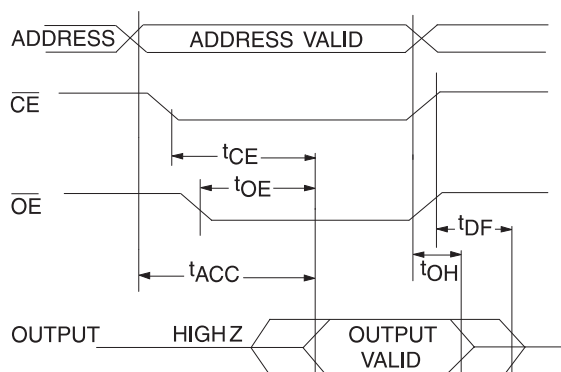
## 8. DC Characteristics

| Symbol    | Parameter                     | Condition                                   | Min | Max  | Units   |
|-----------|-------------------------------|---------------------------------------------|-----|------|---------|
| $I_{LI}$  | Input Load Current            | $V_{IN} = 0V$ to $V_{CC}$                   |     | 10   | $\mu A$ |
| $I_{LO}$  | Output Leakage Current        | $V_{IO} = 0V$ to $V_{CC}$                   |     | 10   | $\mu A$ |
| $I_{SB1}$ | $V_{CC}$ Standby Current CMOS | $\overline{CE} = V_{CC} - 0.3V$ to $V_{CC}$ |     | 300  | $\mu A$ |
| $I_{SB2}$ | $V_{CC}$ Standby Current TTL  | $\overline{CE} = 2.0V$ to $V_{CC}$          |     | 3    | mA      |
| $I_{CC}$  | $V_{CC}$ Active Current       | $f = 5$ MHz; $I_{OUT} = 0$ mA               |     | 50   | mA      |
| $V_{IL}$  | Input Low Voltage             |                                             |     | 0.8  | V       |
| $V_{IH}$  | Input High Voltage            |                                             | 2.0 |      | V       |
| $V_{OL}$  | Output Low Voltage            | $I_{OL} = 2.1$ mA                           |     | 0.45 | V       |
| $V_{OH1}$ | Output High Voltage           | $I_{OH} = -400$ $\mu A$                     | 2.4 |      | V       |
| $V_{OH2}$ | Output High Voltage CMOS      | $I_{OH} = -100$ $\mu A$ ; $V_{CC} = 4.5V$   | 4.2 |      | V       |

## 9. AC Read Characteristics

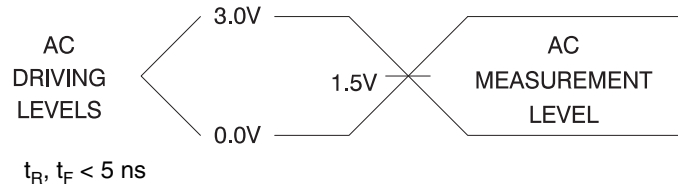
| Symbol            | Parameter                                                                               | AT29C512-70 |     | AT29C512-90 |     | Units |
|-------------------|-----------------------------------------------------------------------------------------|-------------|-----|-------------|-----|-------|
|                   |                                                                                         | Min         | Max | Min         | Max |       |
| $t_{ACC}$         | Address to Output Delay                                                                 |             | 70  |             | 90  | ns    |
| $t_{CE}^{(1)}$    | $\overline{CE}$ to Output Delay                                                         |             | 70  |             | 90  | ns    |
| $t_{OE}^{(2)}$    | $\overline{OE}$ to Output Delay                                                         | 0           | 35  | 0           | 40  | ns    |
| $t_{DF}^{(3)(4)}$ | $\overline{CE}$ or $\overline{OE}$ to Output Float                                      | 0           | 10  | 0           | 25  | ns    |
| $t_{OH}$          | Output Hold from $\overline{OE}$ , $\overline{CE}$ or Address, whichever occurred first | 0           |     | 0           |     | ns    |

## 10. AC Read Waveforms<sup>(1)(2)(3)(4)</sup>

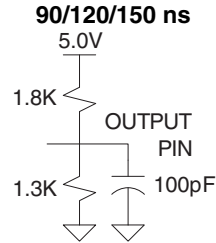
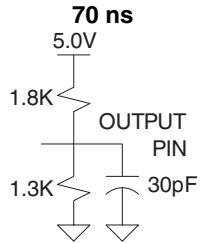


- Notes:
- $\overline{CE}$  may be delayed up to  $t_{ACC} - t_{CE}$  after the address transition without impact on  $t_{ACC}$ .
  - $\overline{OE}$  may be delayed up to  $t_{CE} - t_{OE}$  after the falling edge of  $\overline{CE}$  without impact on  $t_{CE}$  or by  $t_{ACC} - t_{OE}$  after an address change without impact on  $t_{ACC}$ .
  - $t_{DF}$  is specified from  $\overline{OE}$  or  $\overline{CE}$  whichever occurs first (CL = 5 pF).
  - This parameter is characterized and is not 100% tested.

## 11. Input Test Waveforms and Measurement Level



## 12. Output Test Load



## 13. Pin Capacitance

$f = 1 \text{ MHz}, T = 25^\circ\text{C}^{(1)}$

| Symbol    | Typ | Max | Units | Conditions     |
|-----------|-----|-----|-------|----------------|
| $C_{IN}$  | 4   | 6   | pF    | $V_{IN} = 0V$  |
| $C_{OUT}$ | 8   | 12  | pF    | $V_{OUT} = 0V$ |

Note: 1. This parameter is characterized and is not 100% tested.

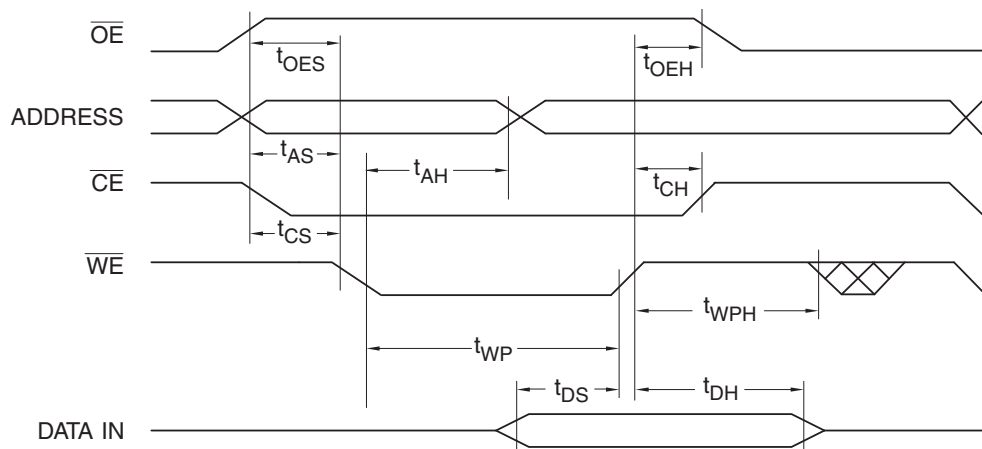


### 14. AC Byte Load Characteristics

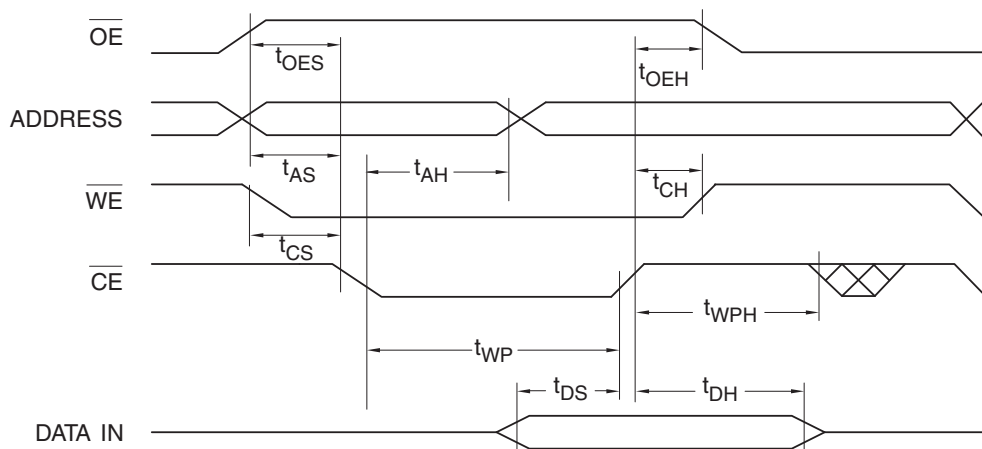
| Symbol            | Parameter                                                | Min | Max | Units |
|-------------------|----------------------------------------------------------|-----|-----|-------|
| $t_{AS}, t_{OES}$ | Address, $\overline{OE}$ Set-up Time                     | 0   |     | ns    |
| $t_{AH}$          | Address Hold Time                                        | 50  |     | ns    |
| $t_{CS}$          | Chip Select Set-up Time                                  | 0   |     | ns    |
| $t_{CH}$          | Chip Select Hold Time                                    | 0   |     | ns    |
| $t_{WP}$          | Write Pulse Width ( $\overline{WE}$ or $\overline{CE}$ ) | 90  |     | ns    |
| $t_{DS}$          | Data Set-up Time                                         | 35  |     | ns    |
| $t_{DH}, t_{OEH}$ | Data, $\overline{OE}$ Hold Time                          | 0   |     | ns    |
| $t_{WPH}$         | Write Pulse Width High                                   | 100 |     | ns    |

### 15. AC Byte Load Waveforms

#### 15.1 $\overline{WE}$ Controlled



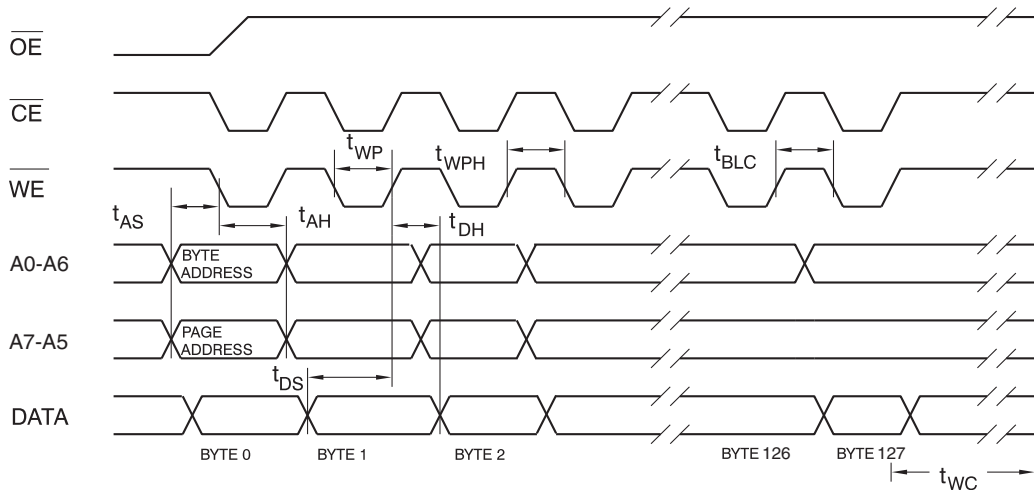
#### 15.2 $\overline{CE}$ Controlled



## 16. Program Cycle Characteristics

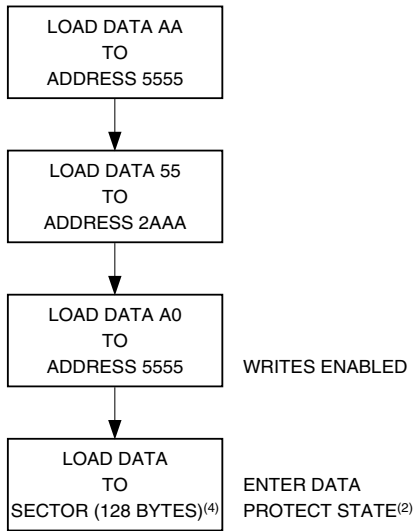
| Symbol    | Parameter              | Min | Max | Units   |
|-----------|------------------------|-----|-----|---------|
| $t_{WC}$  | Write Cycle Time       |     | 10  | ms      |
| $t_{AS}$  | Address Set-up Time    | 0   |     | ns      |
| $t_{AH}$  | Address Hold Time      | 50  |     | ns      |
| $t_{DS}$  | Data Set-up Time       | 35  |     | ns      |
| $t_{DH}$  | Data Hold Time         | 0   |     | ns      |
| $t_{WP}$  | Write Pulse Width      | 90  |     | ns      |
| $t_{BLC}$ | Byte Load Cycle Time   |     | 150 | $\mu$ s |
| $t_{WPH}$ | Write Pulse Width High | 100 |     | ns      |

## 17. Program Cycle Waveforms<sup>(1)(2)(3)</sup>

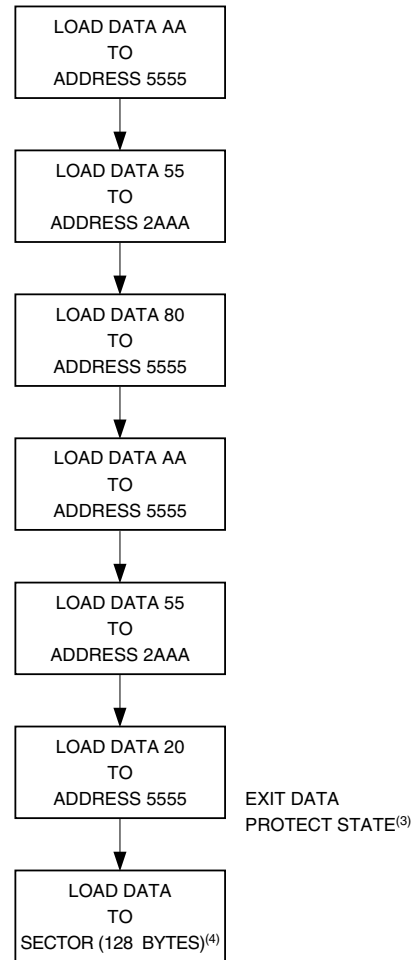


- Notes:
1. A7 through A15 must specify the sector address during each high-to-low transition of  $\overline{WE}$  (or  $\overline{CE}$ ).
  2.  $\overline{OE}$  must be high when  $\overline{WE}$  and  $\overline{CE}$  are both low.
  3. All bytes that are not loaded within the sector being programmed will be indeterminate.

### 18. Software Data Protection Enable Algorithm<sup>(1)</sup>

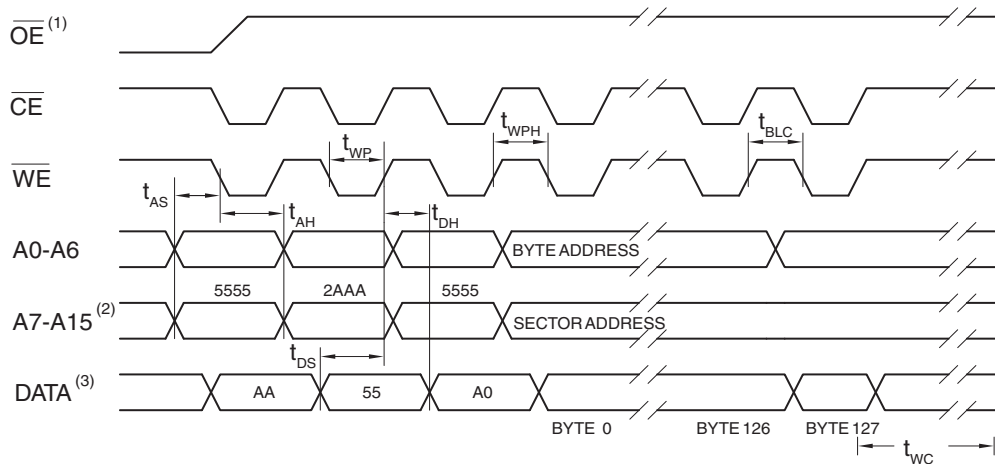


### 19. Software Data Protection Disable Algorithm<sup>(1)</sup>



- Notes:
1. Data Format: I/O7 - I/O0 (Hex); Address Format: A14 - A0 (Hex).
  2. Data Protect state will be activated at end of program cycle.
  3. Data Protect state will be deactivated at end of program period.
  4. 128 bytes of data **MUST BE** loaded.

### 20. Software Protected Program Cycle Waveform<sup>(1)(2)(3)</sup>



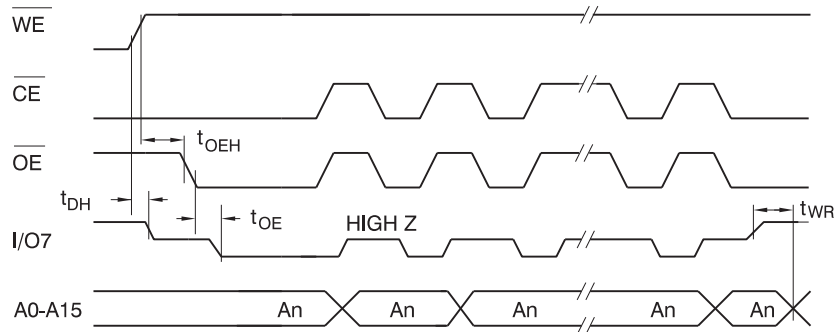
- Notes:
1. A7 through A15 must specify the sector address during each high-to-low transition of  $\overline{WE}$  (or  $\overline{CE}$ ) after the software code has been entered.
  2.  $\overline{OE}$  must be high when  $\overline{WE}$  and  $\overline{CE}$  are both low.
  3. All bytes that are not loaded within the sector being programmed will be indeterminate.

## 21. Data Polling Characteristics<sup>(1)</sup>

| Symbol               | Parameter                                      | Min | Typ | Max | Units |
|----------------------|------------------------------------------------|-----|-----|-----|-------|
| $t_{DH}$             | Data Hold Time                                 | 10  |     |     | ns    |
| $t_{OE\overline{H}}$ | $\overline{OE}$ Hold Time                      | 10  |     |     | ns    |
| $t_{OE}$             | $\overline{OE}$ to Output Delay <sup>(2)</sup> |     |     |     | ns    |
| $t_{WR}$             | Write Recovery Time                            | 0   |     |     | ns    |

- Notes: 1. These parameters are characterized and not 100% tested.  
2. See  $t_{OE}$  spec in AC Read Characteristics.

## 22. Data Polling Waveforms

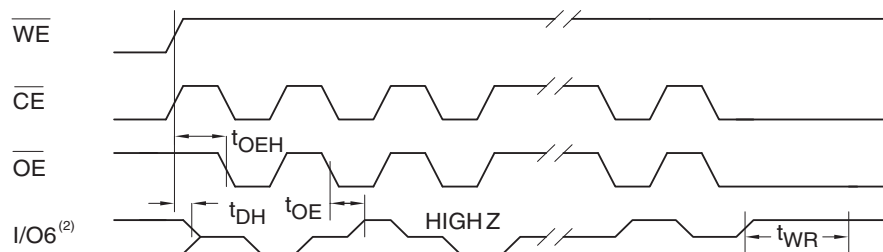


## 23. Toggle Bit Characteristics<sup>(1)</sup>

| Symbol               | Parameter                                      | Min | Typ | Max | Units |
|----------------------|------------------------------------------------|-----|-----|-----|-------|
| $t_{DH}$             | Data Hold Time                                 | 10  |     |     | ns    |
| $t_{OE\overline{H}}$ | $\overline{OE}$ Hold Time                      | 10  |     |     | ns    |
| $t_{OE}$             | $\overline{OE}$ to Output Delay <sup>(2)</sup> |     |     |     | ns    |
| $t_{OEHP}$           | $\overline{OE}$ High Pulse                     | 150 |     |     | ns    |
| $t_{WR}$             | Write Recovery Time                            | 0   |     |     | ns    |

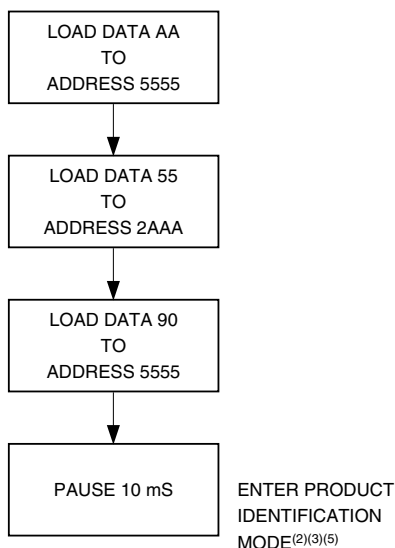
- Notes: 1. These parameters are characterized and not 100% tested.  
2. See  $t_{OE}$  spec in AC Read Characteristics.

## 24. Toggle Bit Waveforms<sup>(1)(2)(3)</sup>

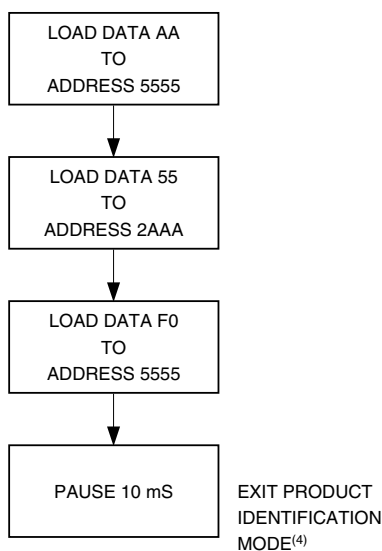


- Notes: 1. Toggling either  $\overline{OE}$  or  $\overline{CE}$  or both  $\overline{OE}$  and  $\overline{CE}$  will operate toggle bit.  
2. Beginning and ending state of I/O6 will vary.  
3. Any address location may be used but the address should not vary.

## 25. Software Product Identification Entry<sup>(1)</sup>

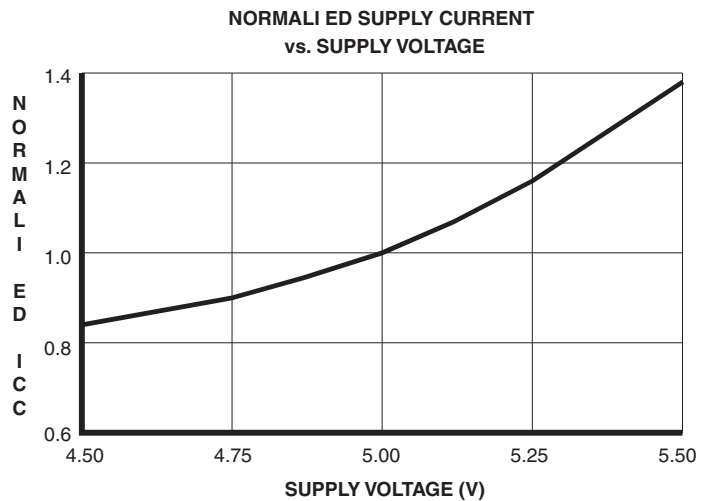
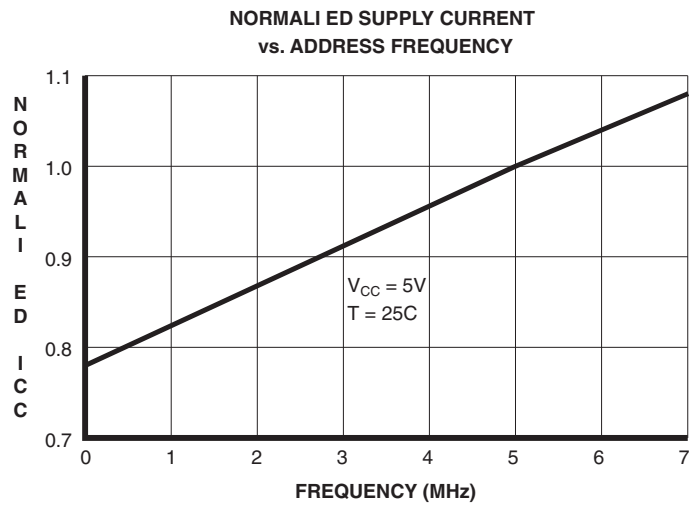
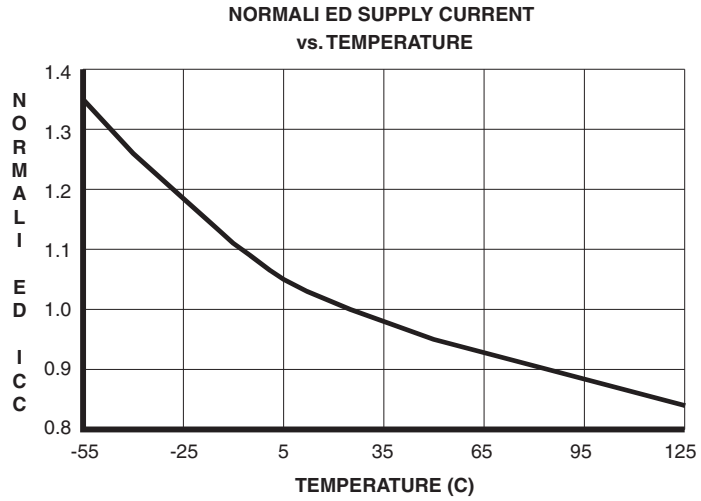


## 26. Software Product Identification Exit<sup>(1)</sup>



- Notes:
1. Data Format: I/O7 - I/O0 (Hex); Address Format: A14 - A0 (Hex).
  2. A1 - A15 =  $V_{IL}$ . Manufacturer Code is read for A0 =  $V_{IL}$ ; Device Code is read for A0 =  $V_{IH}$ .
  3. The device does not remain in identification mode if powered down.
  4. The device returns to standard operation mode.
  5. Manufacturer Code is 1F. The Device Code is 5D.

## 27. Normalized $I_{CC}$ Graphs



## 28. Ordering Information

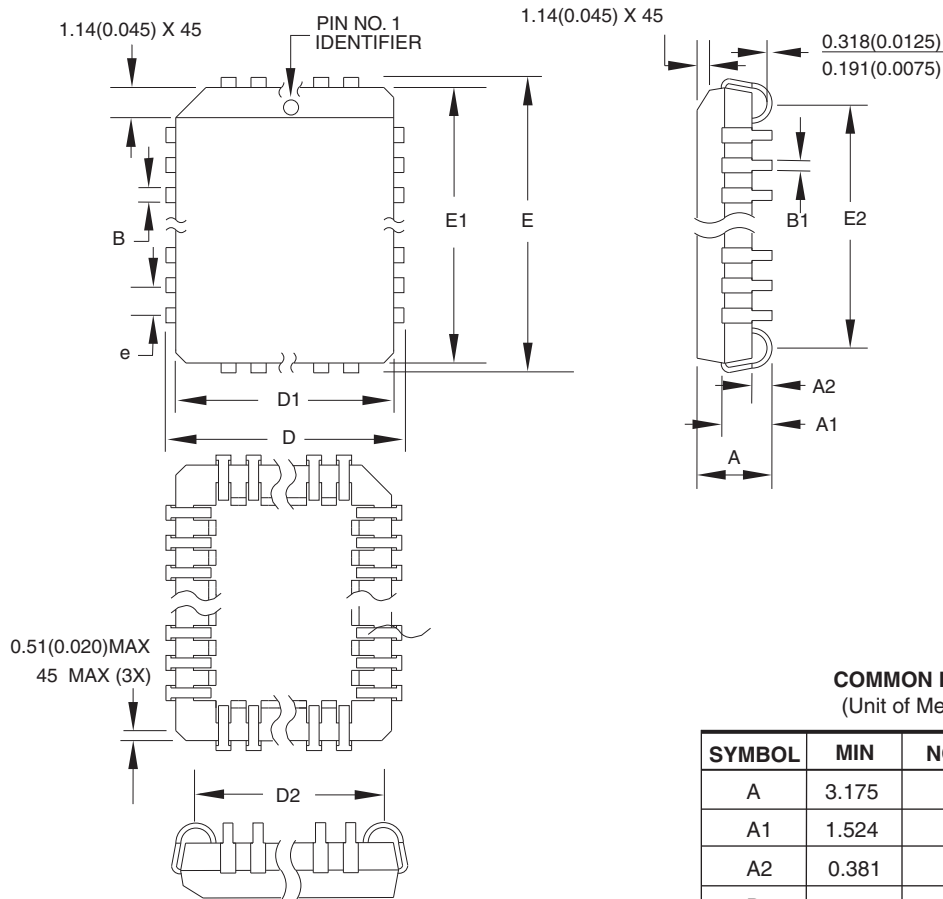
### 28.1 Green Package Option (Pb/Halide-free)

| t <sub>ACC</sub><br>(ns) | I <sub>CC</sub> (mA) |         | Ordering Code                  | Package    | Operation Range              |
|--------------------------|----------------------|---------|--------------------------------|------------|------------------------------|
|                          | Active               | Standby |                                |            |                              |
| 70                       | 50                   | 03      | AT29C512-70JU<br>AT29C512-70TU | 32J<br>32T | Industrial<br>(-40° to 85°C) |
| 90                       | 50                   | 0.3     | AT29C512-90JU<br>AT29C512-90TU | 32J<br>32T |                              |

| Package Type |                                               |
|--------------|-----------------------------------------------|
| <b>32J</b>   | 32-lead, Plastic J-leaded Chip Carrier (PLCC) |
| <b>32T</b>   | 32-lead, Thin Small Outline Package (TSOP)    |

## 29. Packaging Information

### 29.1 32J – PLCC



**COMMON DIMENSIONS**  
(Unit of Measure = mm)

| SYMBOL | MIN       | NOM | MAX    | NOTE   |
|--------|-----------|-----|--------|--------|
| A      | 3.175     | –   | 3.556  |        |
| A1     | 1.524     | –   | 2.413  |        |
| A2     | 0.381     | –   | –      |        |
| D      | 12.319    | –   | 12.573 |        |
| D1     | 11.354    | –   | 11.506 | Note 2 |
| D2     | 9.906     | –   | 10.922 |        |
| E      | 14.859    | –   | 15.113 |        |
| E1     | 13.894    | –   | 14.046 | Note 2 |
| E2     | 12.471    | –   | 13.487 |        |
| B      | 0.660     | –   | 0.813  |        |
| B1     | 0.330     | –   | 0.533  |        |
| e      | 1.270 TYP |     |        |        |

- Notes:
1. This package conforms to JEDEC reference MS-016, Variation AE.
  2. Dimensions D1 and E1 do not include mold protrusion. Allowable protrusion is .010 (0.254 mm) per side. Dimension D1 and E1 include mold mismatch and are measured at the extreme material condition at the upper or lower parting line.
  3. Lead coplanarity is 0.004 (0.102 mm) maximum.

10/04/01



2325 Orchard Parkway  
San Jose, CA 95131

**TITLE**

**32J, 32-lead, Plastic J-leaded Chip Carrier (PLCC)**

**DRAWING NO.**

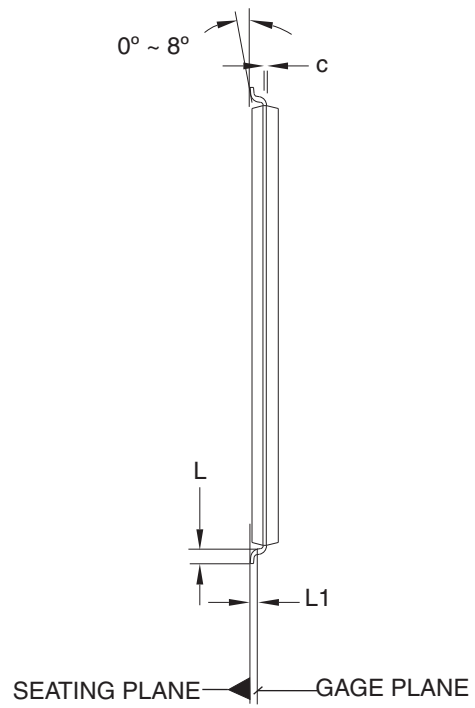
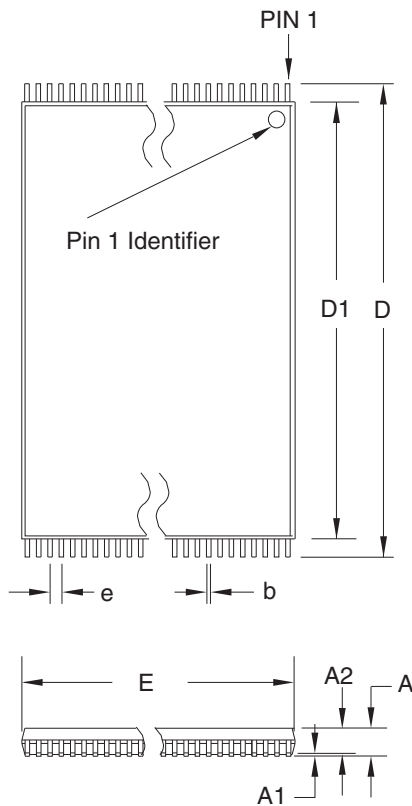
32J

**REV.**

B



29.2 32T – TSOP



COMMON DIMENSIONS  
(Unit of Measure = mm)

| SYMBOL | MIN        | NOM   | MAX   | NOTE   |
|--------|------------|-------|-------|--------|
| A      | –          | –     | 1.20  |        |
| A1     | 0.05       | –     | 0.15  |        |
| A2     | 0.95       | 1.00  | 1.05  |        |
| D      | 19.80      | 20.00 | 20.20 |        |
| D1     | 18.30      | 18.40 | 18.50 | Note 2 |
| E      | 7.90       | 8.00  | 8.10  | Note 2 |
| L      | 0.50       | 0.60  | 0.70  |        |
| L1     | 0.25 BASIC |       |       |        |
| b      | 0.17       | 0.22  | 0.27  |        |
| c      | 0.10       | –     | 0.21  |        |
| e      | 0.50 BASIC |       |       |        |

- Notes:
1. This package conforms to JEDEC reference MO-142, Variation BD.
  2. Dimensions D1 and E do not include mold protrusion. Allowable protrusion on E is 0.15 mm per side and on D1 is 0.25 mm per side.
  3. Lead coplanarity is 0.10 mm maximum.

10/18/01



2325 Orchard Parkway  
San Jose, CA 95131

TITLE

32T, 32-lead (8 x 20 mm Package) Plastic Thin Small Outline Package, Type I (TSOP)

DRAWING NO.

32T

REV.

B





## Headquarters

---

**Atmel Corporation**  
2325 Orchard Parkway  
San Jose, CA 95131  
USA  
Tel: 1(408) 441-0311  
Fax: 1(408) 487-2600

## International

---

**Atmel Asia**  
Room 1219  
Chinachem Golden Plaza  
77 Mody Road Tsimshatsui  
East Kowloon  
Hong Kong  
Tel: (852) 2721-9778  
Fax: (852) 2722-1369

**Atmel Europe**  
Le Krebs  
8, Rue Jean-Pierre Timbaud  
BP 309  
78054 Saint-Quentin-en-  
Yvelines Cedex  
France  
Tel: (33) 1-30-60-70-00  
Fax: (33) 1-30-60-71-11

**Atmel Japan**  
9F, Tonetsu Shinkawa Bldg.  
1-24-8 Shinkawa  
Chuo-ku, Tokyo 104-0033  
Japan  
Tel: (81) 3-3523-3551  
Fax: (81) 3-3523-7581

## Product Contact

---

**Web Site**  
[www.atmel.com](http://www.atmel.com)

**Technical Support**  
[Flash@atmel.com](mailto:Flash@atmel.com)

**Sales Contact**  
[www.atmel.com/contacts](http://www.atmel.com/contacts)

**Literature Requests**  
[www.atmel.com/literature](http://www.atmel.com/literature)

---

**Disclaimer:** The information in this document is provided in connection with Atmel products. No license, express or implied, by estoppel or otherwise, to any intellectual property right is granted by this document or in connection with the sale of Atmel products. **EXCEPT AS SET FORTH IN ATMEL'S TERMS AND CONDITIONS OF SALE LOCATED ON ATMEL'S WEB SITE, ATMEL ASSUMES NO LIABILITY WHATSOEVER AND DISCLAIMS ANY EXPRESS, IMPLIED OR STATUTORY WARRANTY RELATING TO ITS PRODUCTS INCLUDING, BUT NOT LIMITED TO, THE IMPLIED WARRANTY OF MERCHANTABILITY, FITNESS FOR A PARTICULAR PURPOSE, OR NON-INFRINGEMENT. IN NO EVENT SHALL ATMEL BE LIABLE FOR ANY DIRECT, INDIRECT, CONSEQUENTIAL, PUNITIVE, SPECIAL OR INCIDENTAL DAMAGES (INCLUDING, WITHOUT LIMITATION, DAMAGES FOR LOSS OF PROFITS, BUSINESS INTERRUPTION, OR LOSS OF INFORMATION) ARISING OUT OF THE USE OR INABILITY TO USE THIS DOCUMENT, EVEN IF ATMEL HAS BEEN ADVISED OF THE POSSIBILITY OF SUCH DAMAGES.** Atmel makes no representations or warranties with respect to the accuracy or completeness of the contents of this document and reserves the right to make changes to specifications and product descriptions at any time without notice. Atmel does not make any commitment to update the information contained herein. Unless specifically provided otherwise, Atmel products are not suitable for, and shall not be used in, automotive applications. Atmel's products are not intended, authorized, or warranted for use as components in applications intended to support or sustain life.

© 2008 Atmel Corporation. All rights reserved. Atmel®, Atmel logo and combinations thereof, and others are registered trademarks or trademarks of Atmel Corporation or its subsidiaries. Other terms and product names may be trademarks of others.