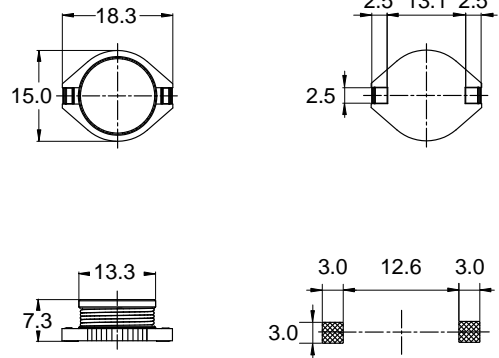
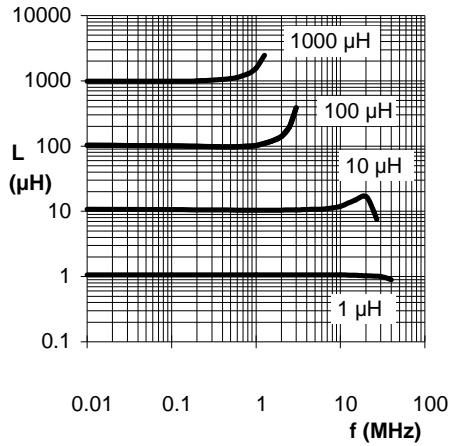


Series

Power Inductor SMD (Type R)

# PISR



Recommended layout for solder pads

Ordering Code	L (μH)	f <sub>L</sub> (MHz)	Tol. (%)	SRF min (MHz)	DC Res. max (Ω)	Rated DC Current		Material
						I sat (A)*	I Δ T = 40°C (A)*	
PISR-1R0M-04	1.0			164	0.009	21	8.6	Ferrite
PISR-2R2M-04	2.2			95	0.014	16	7.1	
PISR-3R3M-04	3.3			72	0.017	15	6.4	
PISR-4R7M-04	4.7			52	0.019	13	5.8	
PISR-5R6M-04	5.6			41	0.022	12	5.5	
PISR-6R8M-04	6.8			35	0.024	11	5.2	
PISR-100M-04	10			24	0.029	10	4.5	
PISR-150M-04	15			20	0.035	8.0	4.1	
PISR-220M-04	22			15	0.04	7.0	3.6	
PISR-330M-04	33	0.1	± 20	10	0.06	5.6	3.1	
PISR-470M-04	47			8	0.07	4.6	2.7	
PISR-680M-04	68			6.5	0.10	3.6	2.3	
PISR-101M-04	100			5.2	0.17	3.1	1.9	
PISR-151M-04	150			4.2	0.22	2.6	1.6	
PISR-221M-04	220			3.3	0.34	2.2	1.3	
PISR-331M-04	330			2.7	0.52	1.9	1.1	
PISR-471M-04	470			2.1	0.76	1.4	0.85	
PISR-681M-04	680			1.8	1.1	1.2	0.74	
PISR-102M-04	1000			1.3	1.7	1.0	0.57	

\* explanation and packing specification see page 43

Sample Kits available:

each 10 pcs. per value tolerance ± 5% Order no. **SK PISR**  
Tighter tolerance and individual sample kits on request