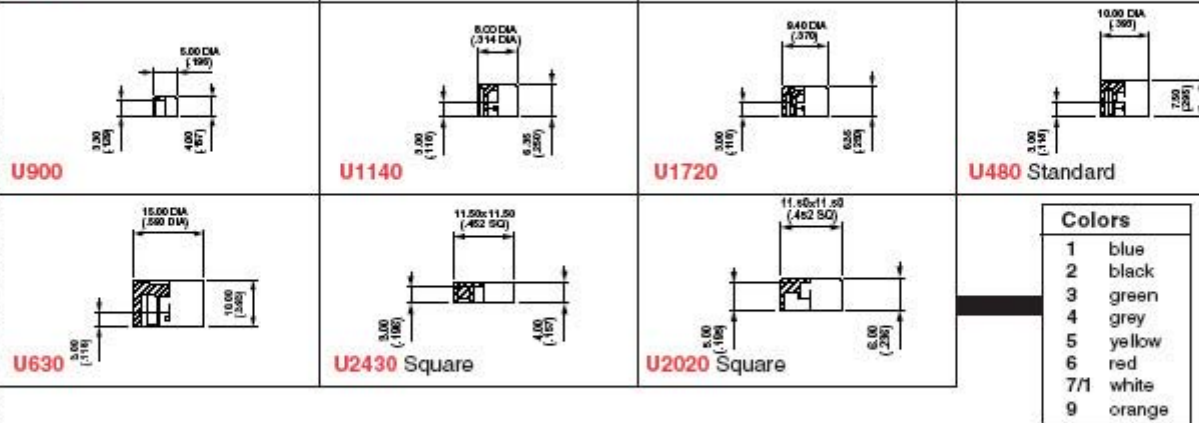


9000 SERIES - MINIATURE MOMENTARY PUSHBUTTON SWITCHES

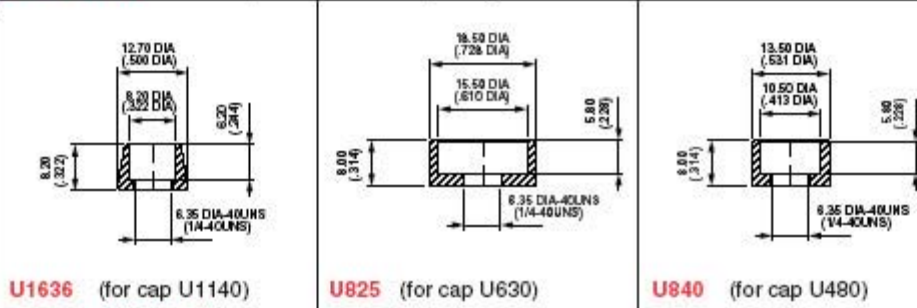
OPTION DRAWINGS & SPECIAL OPTIONS

CAPS Note: replace last '0' in p/n with color code. (order separately)



Colors	
1	blue
2	black
3	green
4	grey
5	yellow
6	red
7/1	white
9	orange

DRESS NUTS Chrome plated. Order separately.



SPECIAL OPTIONS

- F** Tin plated terminals (for p.c. terminals only).
- X601** Silver plated brass contacts
 Contact ratings: 0.2A 250VAC, 0.4A 125VAC or 0.5A 30VDC
 Electric life: 20,000 cycles minimum.
 Minimum quantity: 5,000 pieces.

SPECIFICATIONS SUBJECT TO CHANGE WITHOUT NOTICE

C