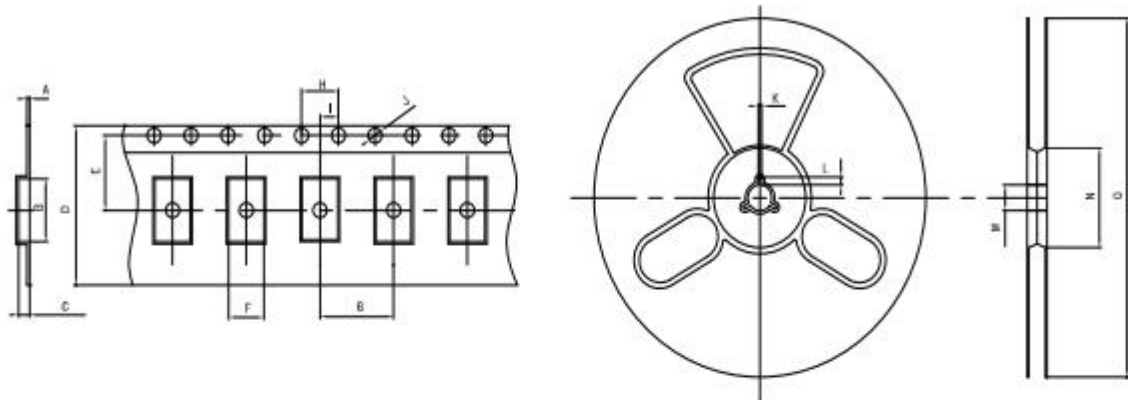


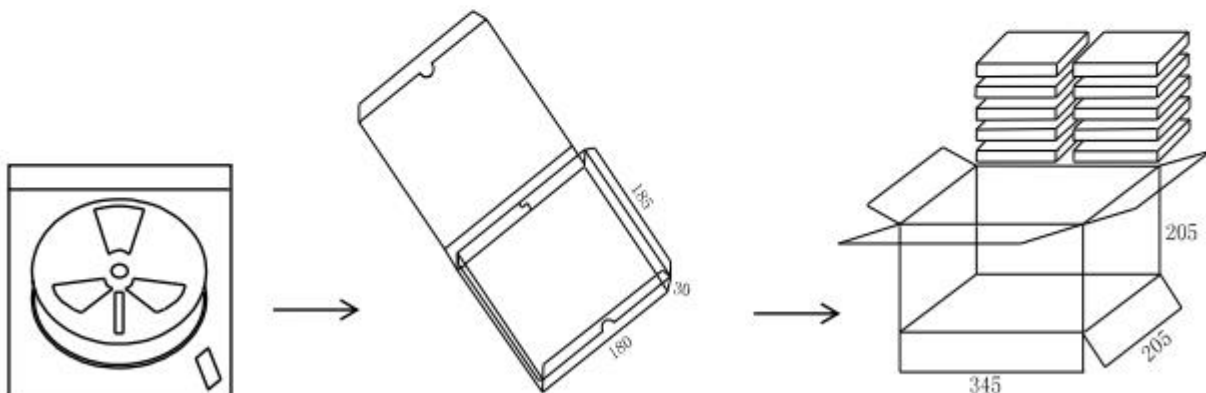
## ◆ Taping Specifications 编带规格

UNIT(单位):mm(毫米)



TEYE	A	B	C	D	E	F	G	H	I	J	K	L	M	N	O
5×7 SMD	0.3	7.5	1.8	16.0	7.5	5.5	8.0	4.0	2.0	1.5	2.0	4.0	13.0	60.0	180.0

## ◆ Packaging specifications 包装规格



自封袋 (Bag)

1000只 = 1 轮

1000pcs = 1 Reel

内包装 (Inside package)

1 轮 = 1 盒

1 Reel = 1 box

外包装 (Outside Package)

10 盒 = 1 箱

10 box = 1 carton