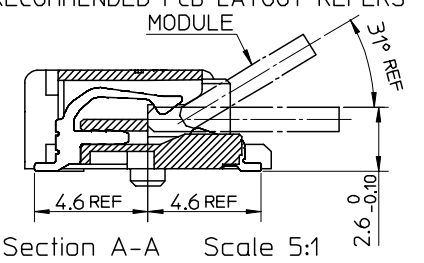
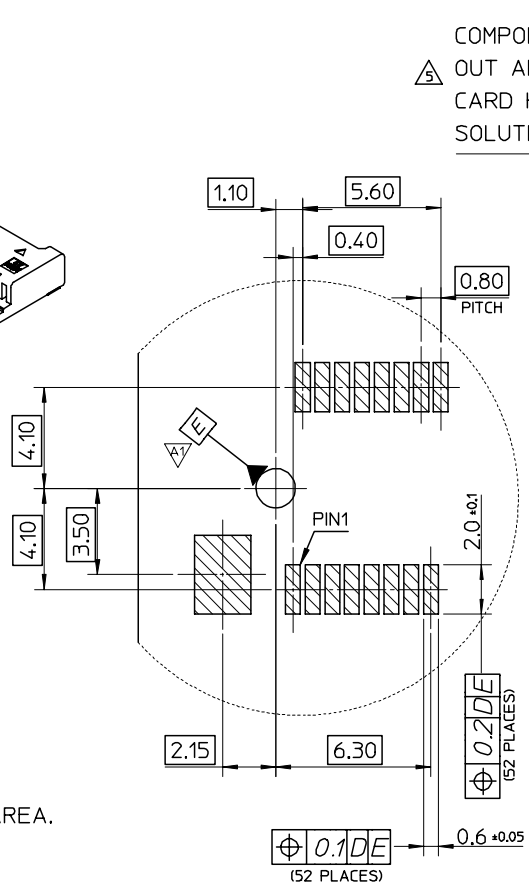


- NOTES:
- MATERIALS:
HOUSING:HIGH TEMPERATURE PLASTIC
COLOR:BLACK, UL94V-0.
CONTACT:COPPER ALLOY
NAIL:COPPER ALLOY
 - FINISH
CONTACT:SELECTIVE GOLD IN CONTACT AND SOLDER AREA.
UNDERPLATED:NICKEL OVERALL
NAIL:TIN IN SOLDER AREA.
UNDERPLATED:NICKEL OVERALL.
 - THE MODULE CARD REFERENCE MINI PCI EXPRESS CARD
ELECTROMECHANICAL SPECIFICATION.
 - DATUM D IS THE TOP SURFACE OF PCB.
IF THE CONNECTOR USED WITH 48099-00**,LATCH SIDE
RECOMMENDED PCB LAYOUT REFERS TO SD-48099-0**.

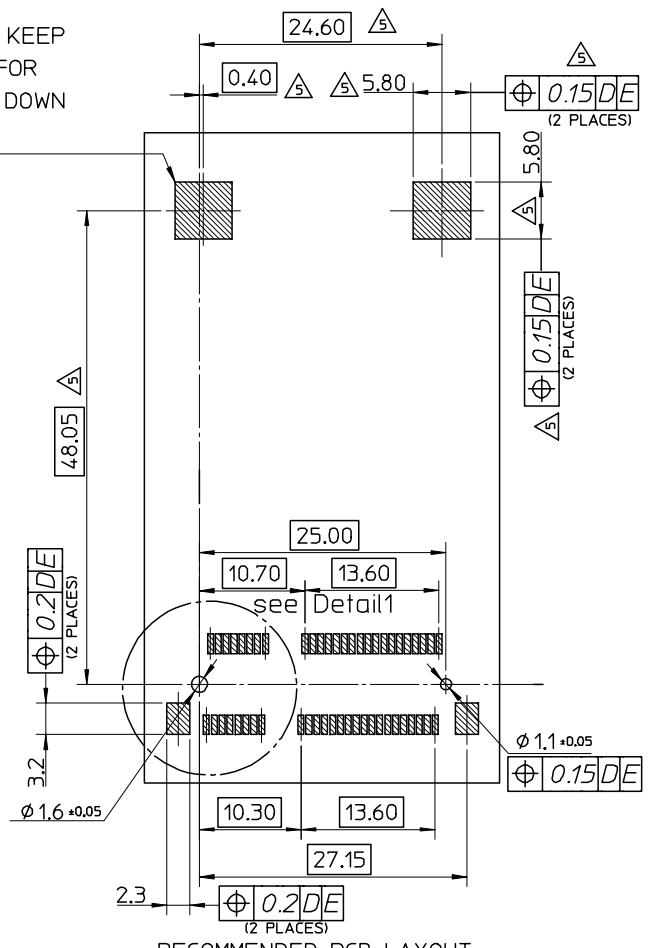


Section A-A Scale 5:1



Detail1 Scale 5:1

COMPONENT KEEP OUT AREA FOR CARD HOLD DOWN SOLUTION



RECOMMENDED PCB LAYOUT

RELEASED EC NO: SH2005-0177 DRAWN: WFDENG CHKD: APPR: YTYAP	DESCRIPTION 2005/01/05 2005/01/06 2005/01/06	QUALITY SYMBOLS ▽=0 ▽C=0	GENERAL TOLERANCES (UNLESS SPECIFIED)		DIMENSION STYLE MM ONLY		SCALE 2:1	DESIGN UNITS METRIC	THIRD ANGLE PROJECTION	
			4 PLACES ± --- ± ---	3 PLACES ± --- ± ---	2 PLACES ± 0.25 ± ---	1 PLACE ± 0.25 ± ---	ANGULAR ± 3 °	SEE TABLE	SD-67910-001	SHEET NO. 1 OF 4
DRAFT WHERE APPLICABLE MUST REMAIN WITHIN DIMENSIONS			SIZE A3		THIS DRAWING CONTAINS INFORMATION THAT IS PROPRIETARY TO MOLEX INCORPORATED AND SHOULD NOT BE USED WITHOUT WRITTEN PERMISSION					

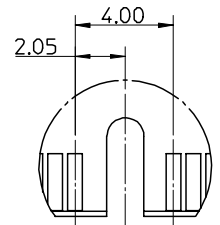
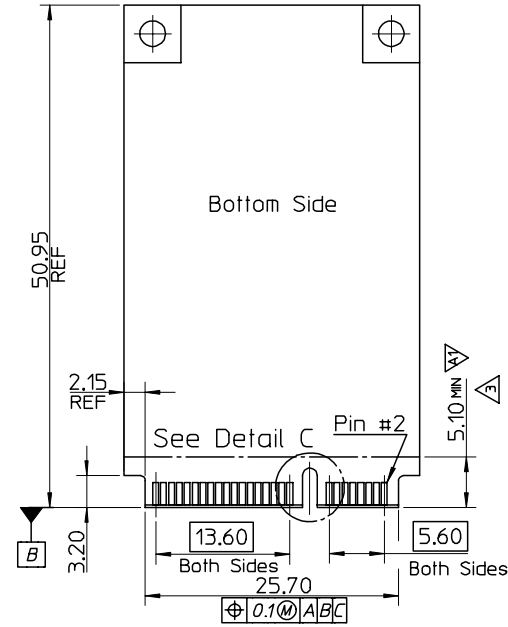
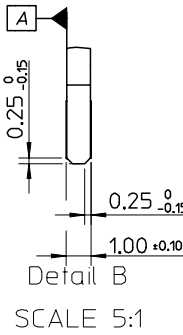
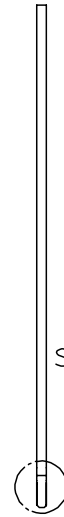
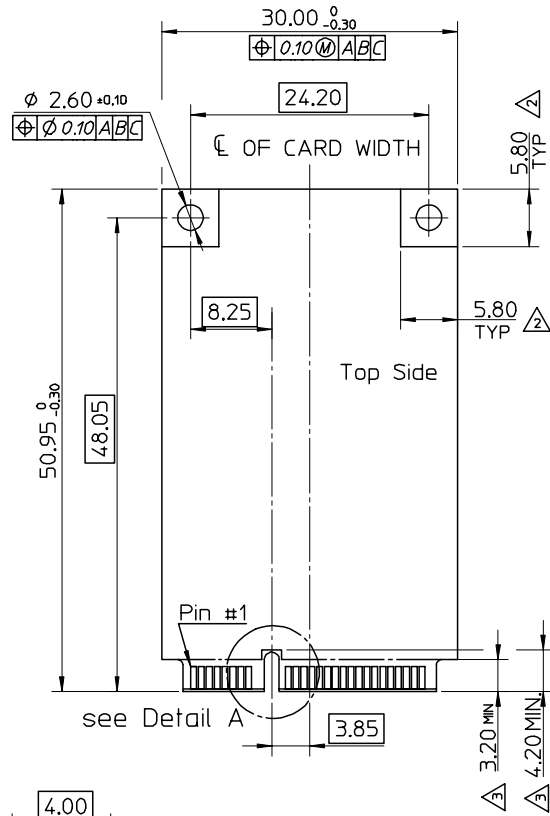
67910-0002	TAPE & REEL	PK-67910-002
67910-0001	TUBE	PK-67910-001
MATERIAL NO.	PACKAGE	PACKAGE DRAWING
TITLE MINI PCI EXPRESS CONN. 0.8 MM PITCH 52CIRCUIT 4.0MM H		
DRAWN BY J. CHIANG		DATE 2003/02/25
CHECKED BY C. WILSON		DATE 2003/03/06
APPROVED BY L. ERICK		DATE 2003/03/06
MATERIAL NO.		DOCUMENT NO.

NOTES;

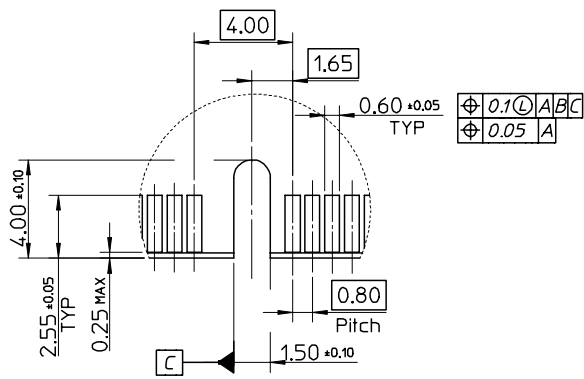
1. PIN NUMBERING REFERENCE:

ODD PINS - TOP SIDE
EVEN PINS - BOTTOM SIDE

- △ COMPONENT AND ROUTING (ALL LAYERS)
KEEP OUT AREA FOR HOLD DOWN SOLUTIONS.
- △ COMPONENT KEEP OUT AREA FOR CONNECTOR.



Detail C
SCALE 5:1



Detail A
Scale 5:1

RELEASED EC NO: SH2005-0177 2005/01/05 DRAWN: WFDENG 2005/01/06 CHKD: 2005/01/06 APPR: YTYAP 2005/01/06	QUALITY SYMBOLS ▽=0 ▽=0	GENERAL TOLERANCES (UNLESS SPECIFIED)		DIMENSION STYLE MM ONLY		SCALE 1:1	DESIGN UNITS METRIC	THIRD ANGLE PROJECTION	
		4 PLACES ± --- ± ---	3 PLACES ± --- ± ---	2 PLACES ± 0.25 ± ---	1 PLACE ± 0.25 ± ---	ANGULAR ± 3 °	DRAWN BY J. CHIANG 2003/02/25	DATE 2003/02/25	TITLE MINI PCI EXPRESS CONN. 0.8 MM PITCH 52CIRCUIT 4.0MM H
		DRAFT WHERE APPLICABLE MUST REMAIN WITHIN DIMENSIONS		SEE TABLE		APPROVED BY L. ERICK 2003/03/06		DATE 2003/03/06	
				MATERIAL NO.		DOCUMENT NO. SD-67910-001		SHEET NO. 2 OF 4	

10 9 8 7 6 5 4 3 2 1

F

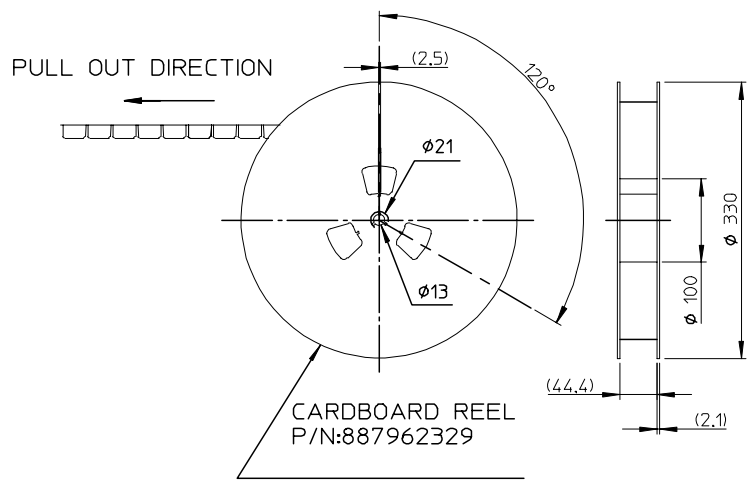
E

D

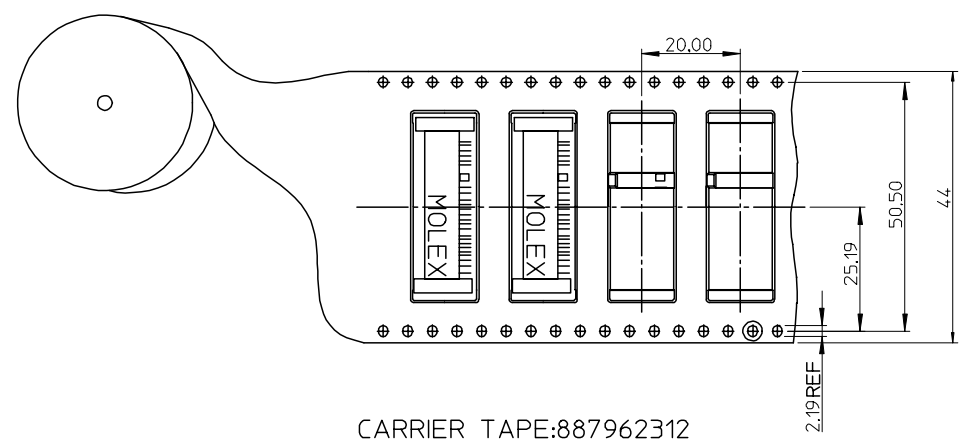
C

B

A



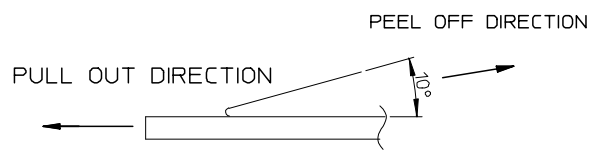
PUT OUT



CARRIER TAPE:887962312

NOTES

1. NUMBER OF CONNECTORS:800 PCS/REEL
2. PEEL OFF FORCE OF TOP TAPE: 0.1~1.3 N (10.2~130gf)
PEELING DIRECTION AS SHOWN IN FOLLOWING FIG.)
(PEEL OFF SPEED: 300mm/min.REF.)



3. PACKAGING DRAWING REFERS TO PK-67910-002.

RELEASED EC NO: SH2005-0177 DRAWN: WFDENG CHKD: CHIKD APPR: TYAP	2005/01/05 2005/01/06 2005/01/06	DESCRIPTION REV	QUALITY SYMBOLS	GENERAL TOLERANCES (UNLESS SPECIFIED)	DIMENSION STYLE	SCALE	DESIGN UNITS	THIRD ANGLE PROJECTION	
			$\nabla = 0$ $\sphericalangle = 0$	mm INCH 4 PLACES ± --- ± --- 3 PLACES ± --- ± --- 2 PLACES ± 0.25 ± --- 1 PLACE ± 0.25 ± --- ANGULAR ± 3 °	MM ONLY	1:1	METRIC	DRAWN BY: J. CHIANG DATE: 2003/02/25 CHECKED BY: C. WILSON DATE: 2003/03/06 APPROVED BY: L. ERICK DATE: 2003/03/06 MATERIAL NO.	TITLE: MINI PCI EXPRESS CONN. 0.8 MM PITCH 52CIRCUIT 4.0MM H MOLEX INCORPORATED
			DRAFT WHERE APPLICABLE MUST REMAIN WITHIN DIMENSIONS	SEE TABLE	DOCUMENT NO. SD-67910-001	SHEET NO. 3 OF 4			
			THIS DRAWING CONTAINS INFORMATION THAT IS PROPRIETARY TO MOLEX INCORPORATED AND SHOULD NOT BE USED WITHOUT WRITTEN PERMISSION						

9 8 7 6 5 4 3 2 1

10 9 8 7 6 5 4 3 2 1

F

E

D

C

B

A

F

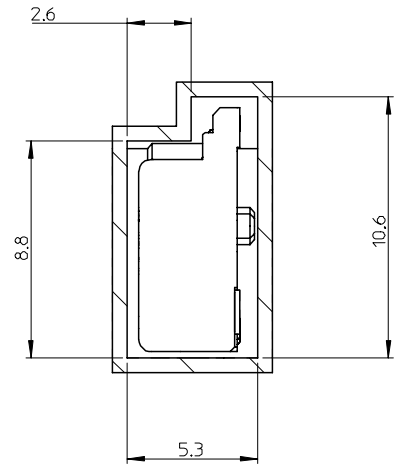
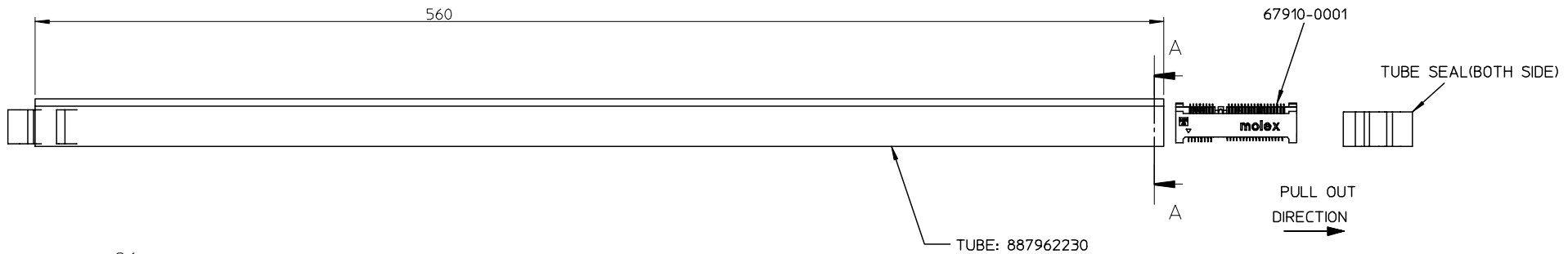
E

D

C

B

A



SECTION A-A
SCALE 5:1

NOTES:

1. NUMBER OF CONNECTORS: 18 PER TUBE
2. PACKING DRAWING REFERS TO PK-67910-001

RELEASED EC NO: SH2005-0177 DRAWN: WFDENG CHKD: YIYAP APPR: YIYAP	2005/01/05 2005/01/06 2005/01/06	QUALITY SYMBOLS ▽=0 ▽=0	GENERAL TOLERANCES (UNLESS SPECIFIED)		DIMENSION STYLE MM ONLY		SCALE 1:1	DESIGN UNITS METRIC	THIRD ANGLE PROJECTION		
			4 PLACES ± --- ± ---	DRAWN BY J. CHIANG	DATE 2003/02/25	TITLE MINI PCI EXPRESS CONN. 0.8 MM PITCH 52CIRCUIT 4.0MM H					
			3 PLACES ± --- ± ---	CHECKED BY C. WILSON	DATE 2003/03/06	MOLEX INCORPORATED					
			2 PLACES ± 0.25 ± ---	APPROVED BY L. ERICK		DATE 2003/03/06	DOCUMENT NO. SD-67910-001		SHEET NO. 4 OF 4		
		1 PLACE ± 0.25 ± ---	ANGULAR ± 3 °		MATERIAL NO. SEE TABLE						
DRAFT WHERE APPLICABLE MUST REMAIN WITHIN DIMENSIONS			THIS DRAWING CONTAINS INFORMATION THAT IS PROPRIETARY TO MOLEX INCORPORATED AND SHOULD NOT BE USED WITHOUT WRITTEN PERMISSION								

9 8 7 6 5 4 3 2 1