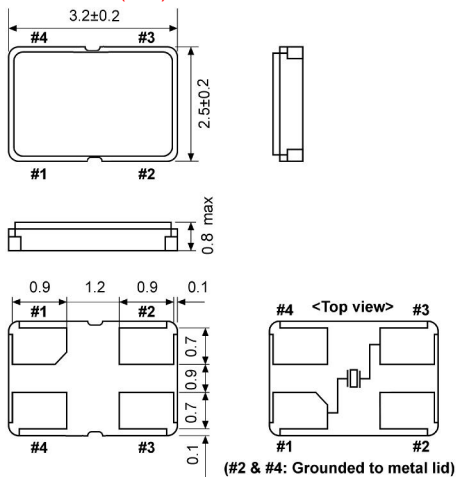


Quartz Crystal

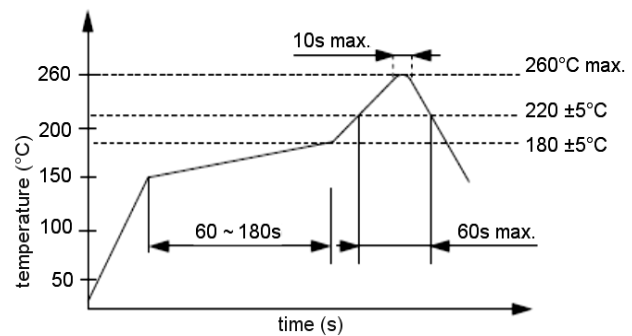
SMD-version

model	KX - 7		
frequency range	8,0 ~ 66,0 MHz		
mode	fundamental		
operating temperature	standard -20° ~ + 70°C available -40° ~ + 85°C (=KX-7T) available -40° ~ +105°C (=KX-7E)		
frequency tolerance at +25°C	standard ± 30 ppm available ± 10 ~ ± 50 ppm		
temperature tolerance -20° ~ + 70°C -40° ~ + 85°C -40° ~ +105°C	standard ± 50 ppm, available ±10 ~ ±50 ppm standard ±100 ppm, available ±20 ~ ± 100 ppm standard ±120 ppm, available ±30 ~ ± 120 ppm		
load capacitance C_L	standard 12 pF available 7 ~ 20 pF		
series resonance R1 max.	8,0 ~ 9,9 MHz	500 Ohm	
	10,0 ~ 10,9 MHz	180 Ohm	
	11,0 ~ 11,9 MHz	100 Ohm	
	12,0 ~ 12,9 MHz	80 Ohm	
	13,0 ~ 15,9 MHz	70 Ohm	
	16,0 ~ 29,9 MHz	60 Ohm	
	30,0 ~ 66,0 MHz	50 Ohm	
aging at +25°C (first year) max.	± 2 ppm		
shunt capacitance C_0 max.	3,5 pF		
drive level	100 μ W typ., 200 μ W max.		
contents of reel	1000 pcs.		
part no.	12.xxxxx		

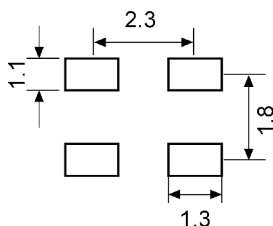
Dimensions (mm):



Reflow soldering condition:



Suggested soldering pad:



Tape specification:

