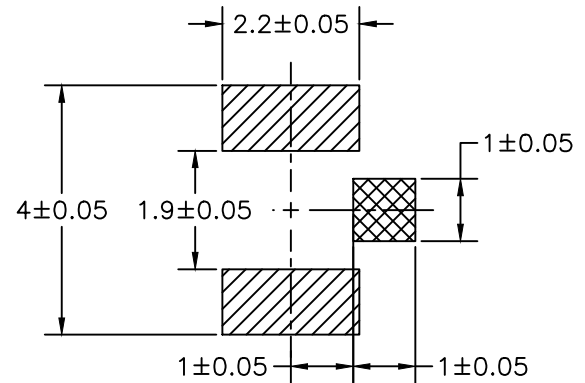
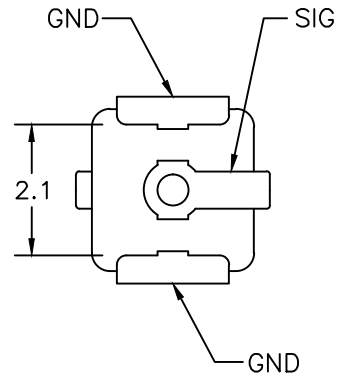
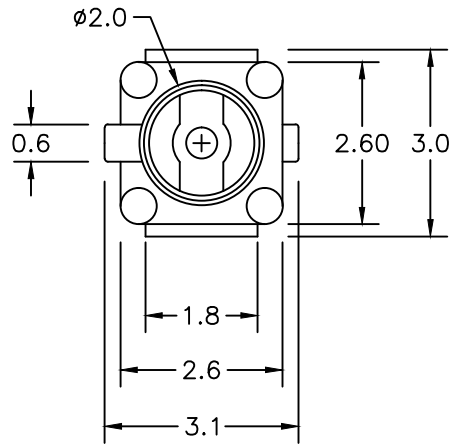
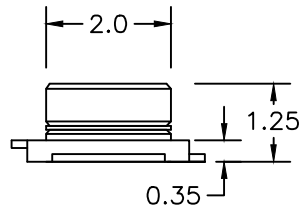


# Zargo Technologies Inc.



RECOMMENDED FOOTPRINT PATTERN



PROPERTIES	
VSWR AT 6GHz	1.3 MAX
NOMINAL IMPEDANCE	50Ω
TEMPERATURE RANGE	-40°C TO 90°C
VOLTAGE RATING	60V AC (RMS)
GND CONTACT RESISTANCE	10mΩ MAX
SIG CONTACT RESISTANCE	20mΩ MAX
WITHSTANDING VOLTAGE	AC 200V RMS
INSULATION RESISTANCE	500mΩ MIN/DC 100V

NO	DESCRIPTION	MATERIAL	Q'TY	FINISH
1	CONNECTOR BODY	PHOSPHOR BRONZE	1	GOLD
2	CENTER CONTACT: F	PHOSPHOR BRONZE	1	GOLD
3	INSULATION	LCP	1	NATURAL

UNLESS OTHERWISE SPECIFIED ALL DIMENSIONS ARE IN mm TOLERANCES ARE:		CODE	TITLE:
INTEGRAL DIMENSIONS	± 0.2		IPX SURFACE MOUNT
1 PLACE DECIMAL	± 0.2		VERTICAL JACK
2 PLACE DECIMAL	± 0.2		
ANGULAR DIMENSIONS	± 1	SIZE	DWG NO. IPX88-1
HOLES UNDER Ø 5.00	±0.02	A4	ZARGO P/N: IPX88-1
			CUST. P/N:
THIRD ANGLE PROJ	DRAWN	Zargo Technologies Inc.	
	<i>Pavel</i>		
	CHECK		
	APVD	<i>Gary</i>	