



# Valens VS010 Product Brief



# Overview

The Valens VS010 chipset transmits and receives uncompressed HD, video, audio, power and control signals over a Cat5e/cat6a cable of up to 70 meters.

HDBaseT™ delivers a significant value to the entire home and commercial entertainment ecosystem, from CE/PC equipment manufacturers and audio/video connectivity product suppliers, through systems integrators and retailers, to installers and consumers. Homes, offices, hotels, airports and other public places can now install a robust HD ecosystem easily, effectively and at a very low cost.

# Architecture

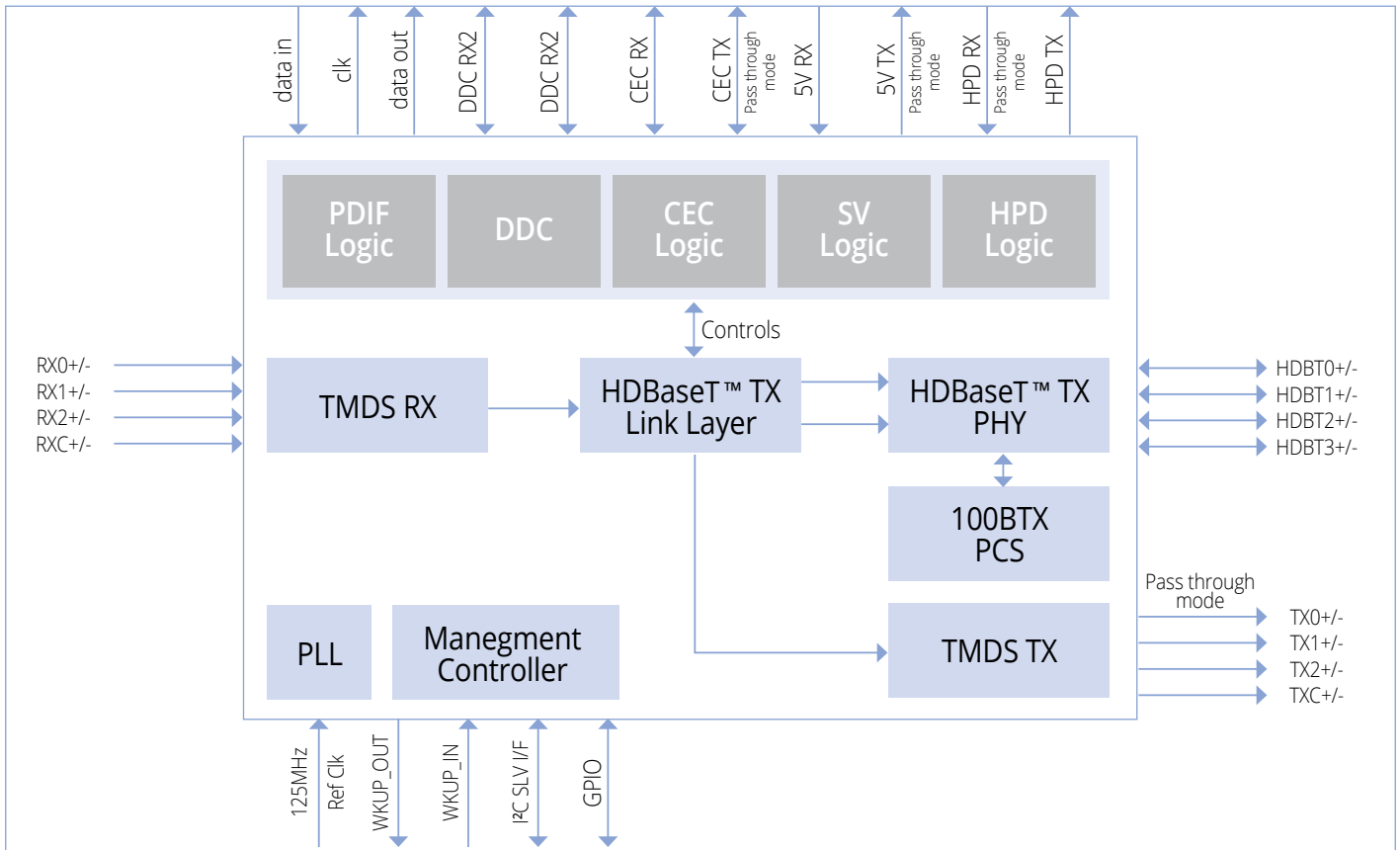
The VS010 family consists of two chips:

- **VS010TX (Transmitter):** For DVDs, STBs and other HD source equipment.
- **VS010RX (Receiver):** For HDTVs, projectors and other display equipment.

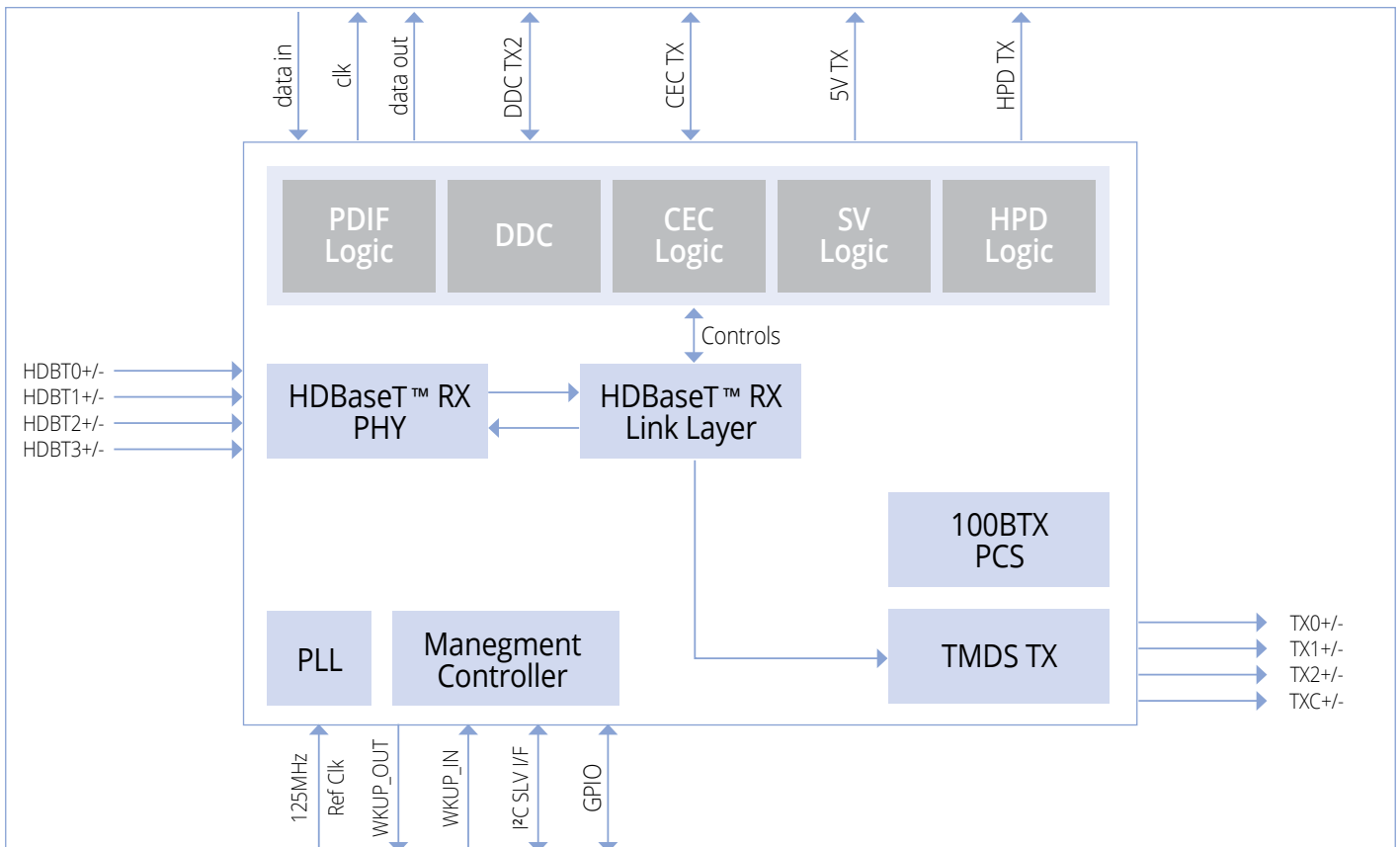


The following block diagram illustrates the major VS010 components:

### VS010TX



### VS010RX



# Applications

The VS010 chip can be used in various applications throughout multiple industries.

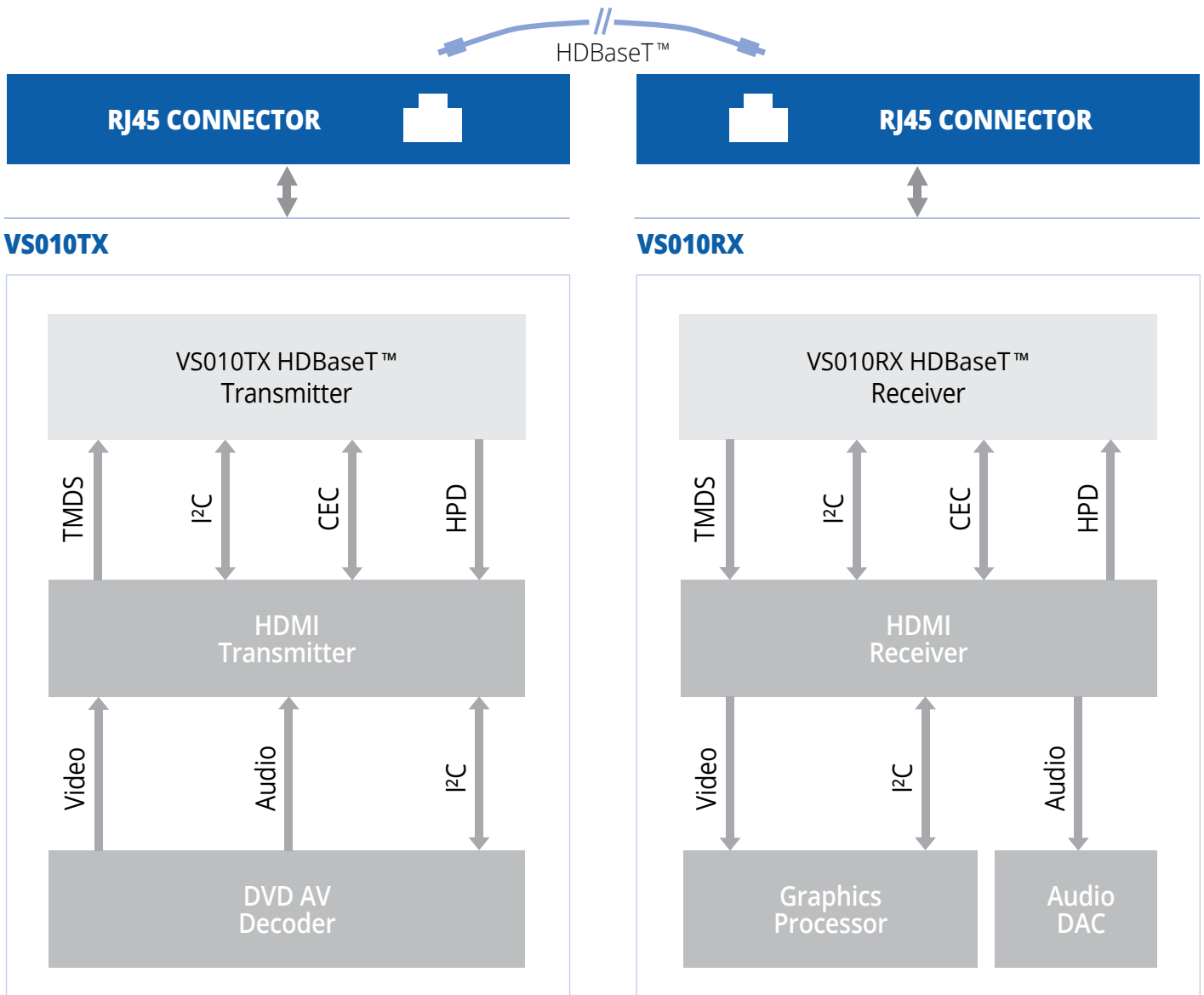
## VS010TX:

Blu-ray, DVD players and recorders, digital set-top-boxes (STBs), game consoles, PCs, HDMI repeaters, splitters, switches, HDBaseT™ Switch, A/V receivers, surveillance cameras

## VS010RX:

A/V receivers, DTVs, LCDs and plasma displays, rear and front projectors, HDMI repeaters, splitters, switches, HDBaseT™ Switch, digital signage, DVR for surveillance

The following diagram illustrates an example of system functionality of HDBaseT VS010 :



# Key Technical Highlights

---

## Features

---

Complies with HDBaseT™ 1.0

---

Interplay with Valens' VS100 product line

---

Simultaneous distribution of the following to a distance of up to 70 meters over a Cat5e/cat6a cable:

- Uncompressed high definition (HD) video:  
1080p@60Hz@36 bits, 1080p@60Hz@48 bits, 3D, 4K x 2K up to a distance of 40m/150ft
  - High-quality audio
  - Power over cable
  - Control signals including RS232 and infrared
- 

HDCP Compliant

---

HDMI RX interfaces for easy integration

---

CISPR/FCC Class B EMC/EMI compliance

---

Power:

- 1V, 1.8V and 3.3V
  - 5V tolerant IOs
- 

196-pin LPGA, 15mm x 15mm

---

0°C to 70°C operating temperature

---

RoHS and Green compliant

---

---

## VS010TX supported interfaces

---

HDBaseT™ TX

---

1xHDMI in

---

1xHDMI out

---

Bi-directional control channel which can be used for example for RS232 and IR control

---

I<sup>2</sup>C slave management

---

---

## VS010RX supported interfaces

---

HDBaseT™ RX

---

1xHDMI out

---

Bi-directional control channel which can be used for example for RS232 and IR control

---

I<sup>2</sup>C slave management

---



**Contact Information**  
8 Hanagar St., POB 7152  
Hod Hasharon 45240 Israel  
Tel: +972-9-762-6900  
Fax: +972-9-762-6901  
info@valens.com

[www.valens.com](http://www.valens.com)