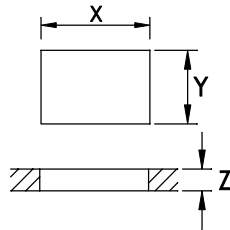


版本：V2.2

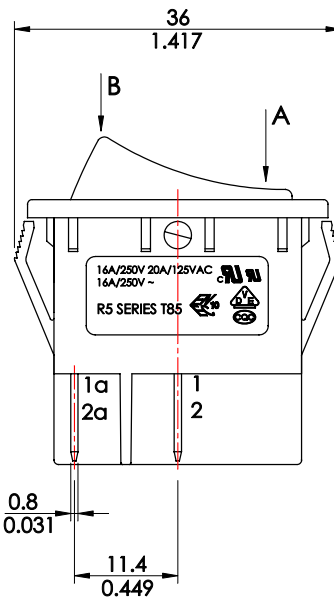
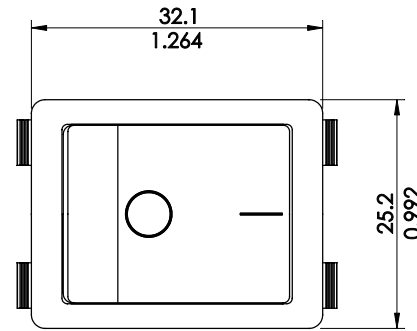
本圖面若與目錄之規格尺寸不符，以本圖面規格尺寸為主。  
Below is our main specification if different from catalog.

RoHS compliant

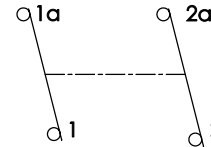
POLE FUNCTION	OPTIONS OF FUNCTION		
	A		B
DPST	1-1a 2-2a	—	OFF



PANEL CUT-OUT		
Z	Y	X
0.7~1.25 [ .028~.049 ]	22.1~22.2 [ .870~.874 ]	30.0~30.2 [ 1.181~1.189 ]
1.25~2.0 [ .049~.079 ]	22.1~22.2 [ .870~.874 ]	30.2~30.4 [ 1.189~1.197 ]
2.0~3.0 [ .079~.118 ]	22.1~22.2 [ .870~.874 ]	30.6~30.8 [ 1.205~1.213 ]



CIRCUIT DPST

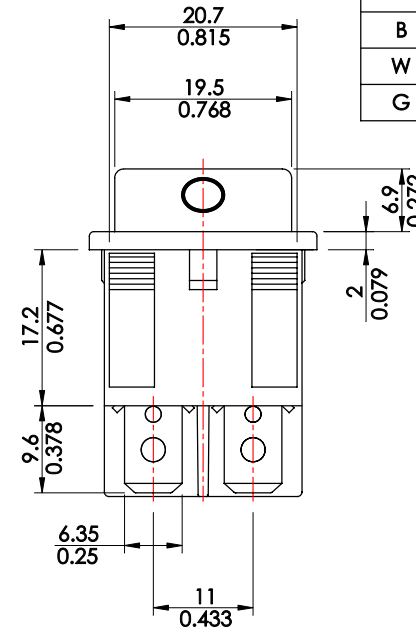


MARKING  
refer to our catalog

RoHS compliant

R515XXXT-G

HOUSING COLOR		ROCKER COLOR	
B	Black	B	Black
W	White	W	White
G	Gray	G	Gray
R	Red	Y	Yellow
		GN	Green



**SPECIFICATION**

**Electrical Rating:** 16A 250V AC & 20A 125V AC.

**Contact resistance:** <20mΩ (initial).

**Dielectric strength:** >1,500V 1 minute.

**Mechanical life:** >30,000 cycles.

**Electrical life:** >10,000 cycles.

**Insulation resistance:** >1,000MΩ(500V DC between open contacts).

**Minimum load:** 100mA 10V DC. (reference only)

**When proceed with soldering, please pay attention to following:**

For manual soldering method, must use 30W soldering iron and complete the operation within 3 seconds, under 350°C. For dip soldering method, must complete the operation within 3 seconds with the temperature of 280°C.



V2.2	△		
V2.1	無	圖框改版	2007.11.01
V2.0	無	新繪製	2003.11.28
版本 VER.	符號 SYMBOL	修改內容 ALTERATION	更新日期 DATE

產品 PRODUCT		Rocker Switch		型號 MODEL NO.		R515BGNBT-G	
製圖 DRAWN BY	核圖 CHECKED BY	主管 APPROVED BY	單位 UNIT	mm			
Jack Liao	Alex Lin	Margaret Lee	比例 SCALE	1.2 : 1			
			公差 TOLERANCE	.X=±0.4mm, .XX=±0.25mm			

**SWITRONIC**  
INDUSTRIAL CORP.  
**Switches**



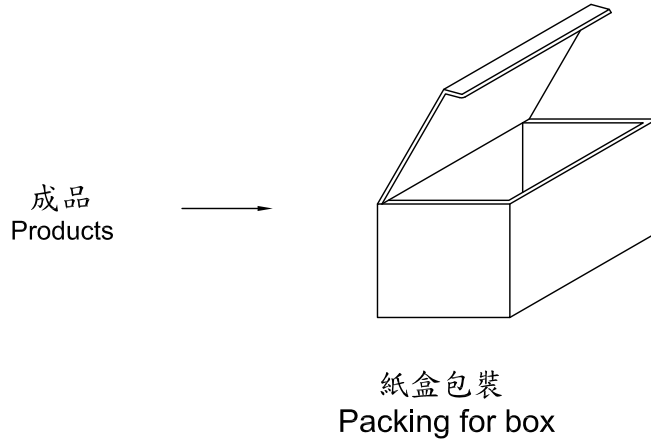
一綺電子企業股份有限公司

總公司：110 台北市信義路四段415號12樓之2  
12F-2 NO. 415, SEC. 4, Hsin Yi Road, Taipei, Taiwan  
TEL : 886-2-27290229 (Rep.) FAX : 886-2-27582086  
URL : <http://www.switronic.com.tw>  
E-MAIL : [switches@ms36.hinet.net](mailto:switches@ms36.hinet.net)

# 一綺電子企業股份有限公司 SWITRONIC INDUSTRIAL CORP.

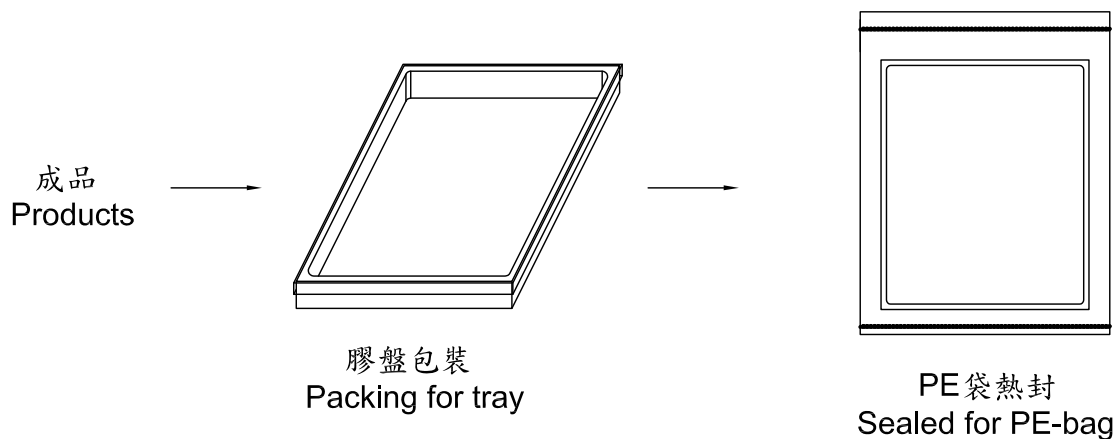
## 入料包裝方式 Packing for Products

### 盒裝方式 Packing for box



Packing for box : 75 pcs / box.

### 盤裝方式 Packing for tray



Packing for tray : \_\_\_\_\_ pcs / tray , \_\_\_\_\_ tray / polybag.

Quantity thickness for polybag : \_\_\_\_\_ mm , Quantity desiccating agent : \_\_\_\_\_ pcs.

一綺電子企業股份有限公司  
SWITRONIC INDUSTRIAL CORP.

產品綠色環保標章

"G" Mark for All RoHS Compliant Products

環保標章式樣

Initial "G": Standing for Green Label



外箱標示

Marked on The Outside of Carton As:

