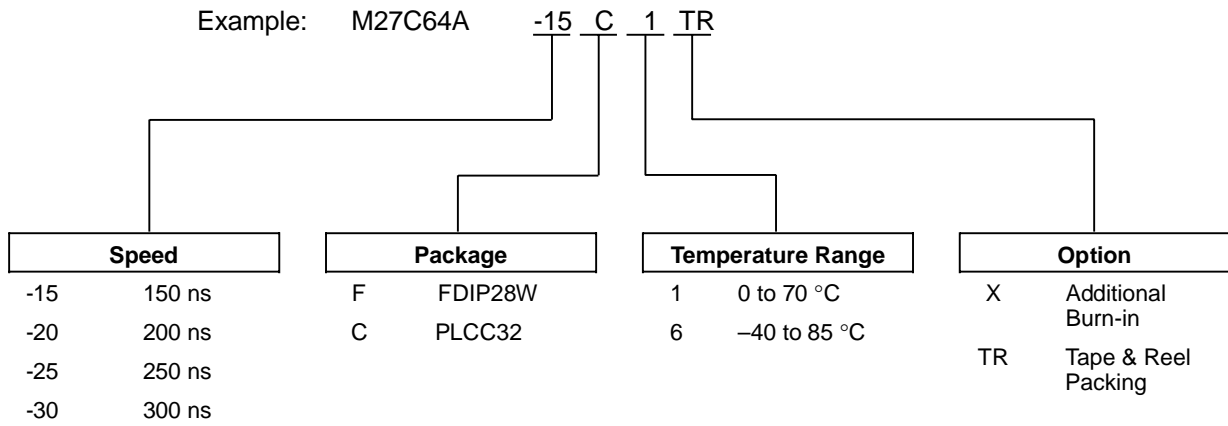


ORDERING INFORMATION SCHEME



For a list of available options (Speed, Package, etc...) refer to the current Memory Shortform catalogue. For further information on any aspect of this device, please contact the STMicroelectronics Sales Office nearest to you.