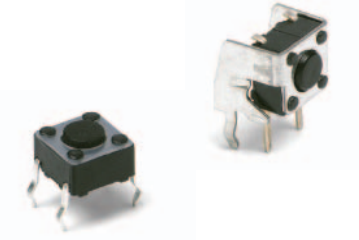


PTS645 Series 6 mm Tact Switches



Features/Benefits

- Compact size 6 x 6 mm
- Variety of actuator lengths
- Choice of actuation force
- RoHS compliant and compatible

Typical Applications

- Consumer products
- Instrumentation
- Computer products
- Industrial



Tactile Switches

Specification

FUNCTION: Momentary action
CONTACT ARRANGEMENT: SPST, N.O.
TERMINALS: PC pins

Mechanical

ACTUATION FORCE: 130 grams, 160 grams, 200 grams, 260 grams
LIFE EXPECTANCY: 100,000 operations.

Electrical

CONTACT RATING: 50 mA @ 12 V DC.
DIELECTRIC STRENGTH: 250 V AC min.
CONTACT RESISTANCE: 100 mΩ max. initial.
INSULATION RESISTANCE: 10¹¹ Ω min.

Environmental

OPERATING TEMPERATURE: -20°C to 60°C

Process

SOLDERING: Preheating to 100°C for 45 sec. max. Keep flux flush with top surface of PCB; do not apply to component side of PCB and area where terminals are located. Soldering to 255°C for 5 sec. max. Clean by brushing on solder surface. Do not clean switch with solvents.

Packaging

Bulk packaging.

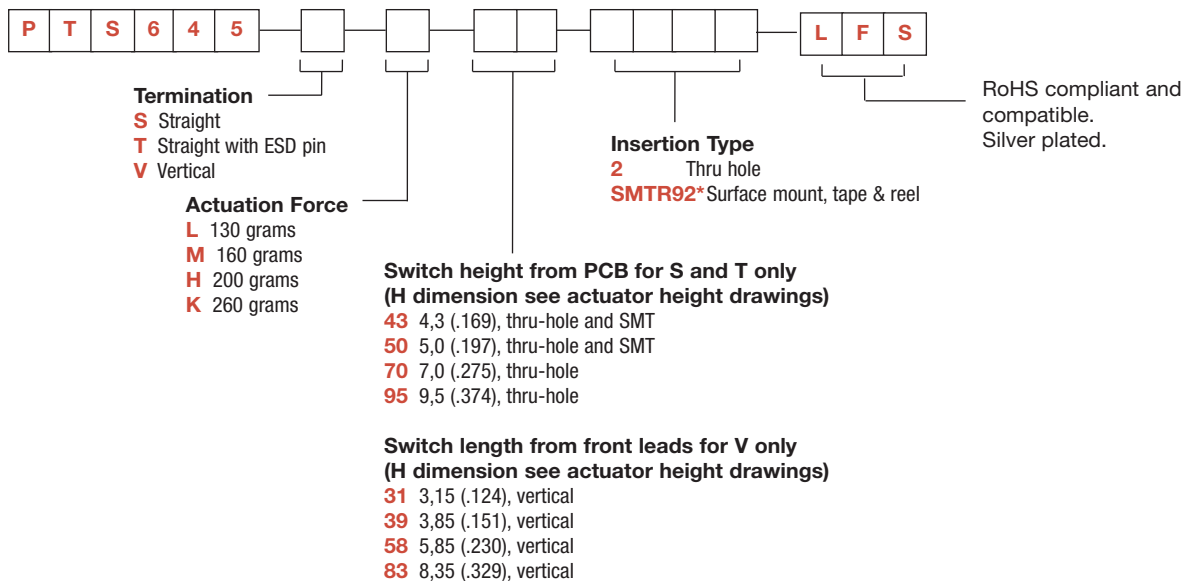
Tape & reel for the SMT type:

Reels of 1,000 pieces for 4,3 and 5,0 mm height
Reels of 700 pieces for 7,0 mm height
Reels of 500 pieces for 9,5 mm height

NOTE: Specifications listed above are for switches with standard options.
For information on specific and custom switches, consult Customer Service Center.

How To Order

Our easy build-a-switch concept allows you to mix and match options to create the switch you need. To order, select desired option from each category and place it in the appropriate box.

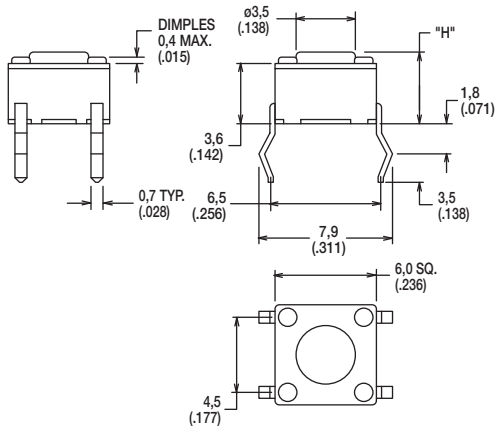


*Only the straight type termination without ESD pin is available in SMT type.

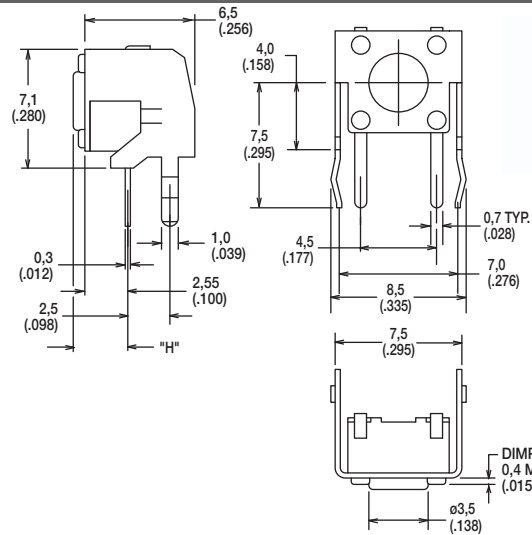
PTS645 Series 6 mm Tact Switches

SERIES

PTS645



PTS645S Model

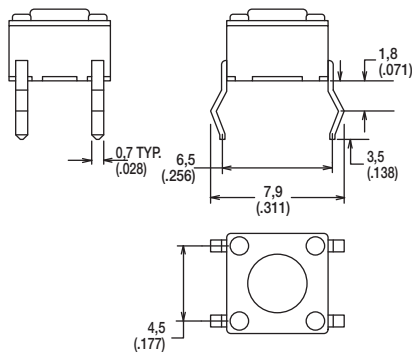


PTS645V Model

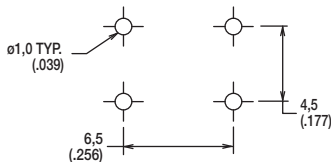
Tactile Switches

TERMINATION

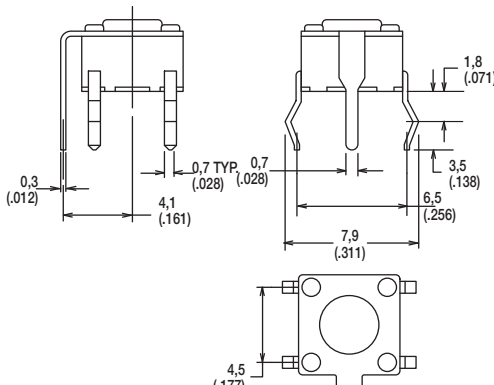
S STRAIGHT



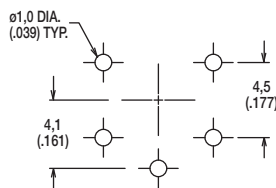
PCB LAYOUT



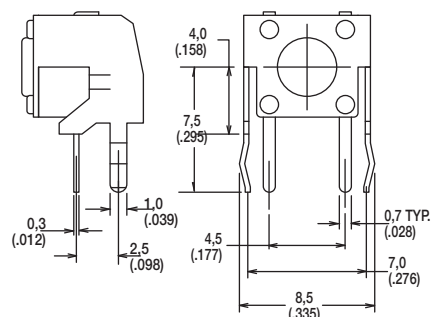
T STRAIGHT WITH ESD PIN



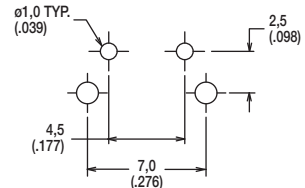
PCB LAYOUT



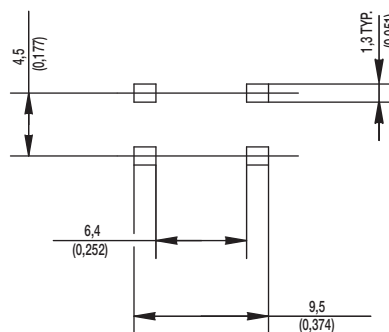
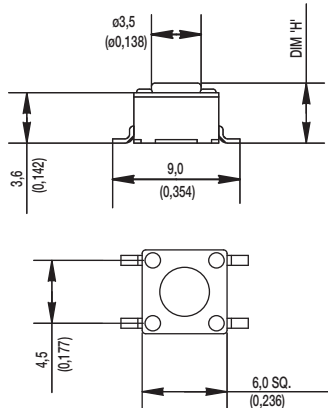
V VERTICAL



PCB LAYOUT



SMT



First Angle
Projection

Dimensions are shown: mm (inches)
Specifications and dimensions subject to change



PTS645 Series 6 mm Tact Switches

ACTUATION FORCE

OPTION CODE	FORCE
L	130 grams
M	160 grams
H	200 grams
K	260 grams

ACTUATOR HEIGHT

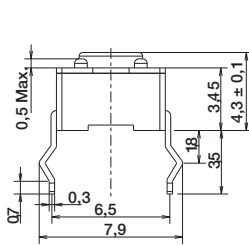
OPTION CODE	DIMENSION H	TERMINATION	SCHEMATIC	
			Without EMC pin	With EMC pin
43	4,3 (.169)	Thru-hole and SMT		
50	5,0 (.197)	Thru-hole and SMT		
70	7,0 (.275)	Thru-hole and SMT		
95	9,5 (.374)	Thru-hole and SMT		
31	3,15 (.124)	Vertical		
39	3,85 (.151)	Vertical		
58	5,85 (.230)	Vertical		
83	8,35 (.329)	Vertical		



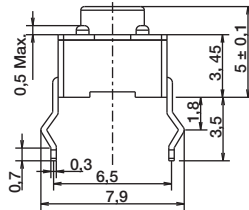
B

Tactile Switches

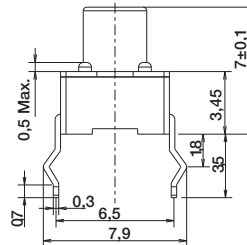
43



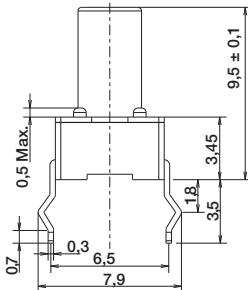
50



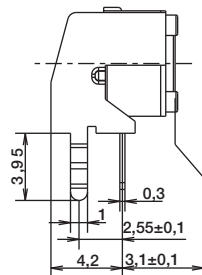
70



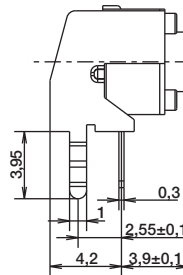
95



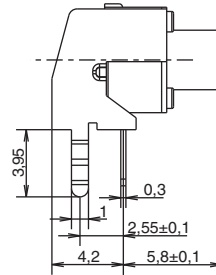
31



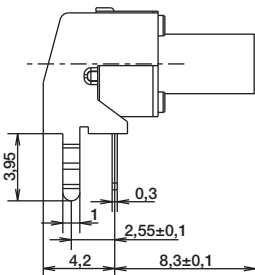
39



58



83



Dimensions are shown: mm
Specifications and dimensions subject to change



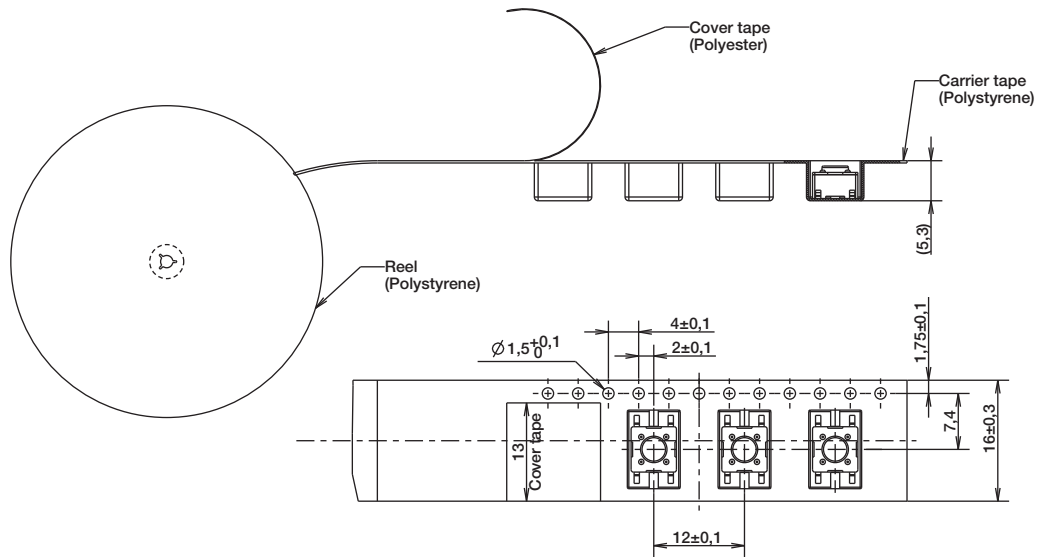
13 feb 14

PTS645 Series 6 mm Tact Switches

TAPE & REEL

Tactile Switches

B



Mouser Electronics

Authorized Distributor

Click to View Pricing, Inventory, Delivery & Lifecycle Information:

C&K Components:

[PTS645SL95](#) [PTS645SL43](#) [PTS645SL70](#) [PTS645SL50](#) [PTS645SH70](#) [PTS645SH95](#) [PTS645SH50](#)
[PTS645SL43SM](#) [PTS645TH43](#) [PTS645TH50](#) [PTS645TH95](#) [PTS645TH70](#) [PTS645VL83](#) [PTS645VL31](#)
[PTS645VL58](#) [PTS645VL39](#) [PTS645TL95](#) [PTS645TL70](#) [PTS645TL43](#) [PTS645TL50](#) [PTS645VH39](#) [PTS645VH83](#)
[PTS645VH58](#) [PTS645VH31](#) [PTS645SM43SMTR LFS](#) [PTS645SM43TR LFS](#) [PTS645TL43 LFS](#) [PTS645SK50TR LFS](#)
[PTS645SL70TR LFS](#) [PTS645SM50TR LFS](#) [PTS645TL70 LFS](#) [PTS645TL50 LFS](#) [PTS645SK43TR LFS](#)
[PTS645SL50SMTR LFS](#) [PTS645SH43SMTR LFS](#) [PTS645SL17LFS](#) [PTS645SM43LFS](#) [PTS645SM70LFS](#)
[PTS645SM95LFS](#) [PTS645SH43LFS](#) [PTS645SK70LFS](#) [PTS645TM43LFS](#) [PTS645TM50LFS](#) [PTS645TM70LFS](#)
[PTS645TM95LFS](#) [PTS645TH95LFS](#) [PTS645TK43LFS](#) [PTS645TK50LFS](#) [PTS645TK70LFS](#) [PTS645TK95LFS](#)
[PTS645VM83LFS](#) [PTS645VK31LFS](#) [PTS645VK83LFS](#) [PTS645SL43SMTRLFS](#) [PTS645SM50SMTRLFS](#)
[PTS645SH50SMTRLFS](#) [PTS645SK43SMTRLFS](#) [PTS645SK50SMTRLFS](#) [PTS645SK50-2 LFS](#) [PTS645SM43-2 LFS](#)
[PTS645VK31-2 LFS](#) [PTS645VM58-2 LFS](#) [PTS645SL95-2 LFS](#) [PTS645VH83-2 LFS](#) [PTS645SL50SMTR 92 LFS](#)
[PTS645SM70-2 LFS](#) [PTS645VH31-2 LFS](#) [PTS645VK83-2 LFS](#) [PTS645SH43-2 LFS](#) [PTS645SH43SMTR 92 LFS](#)
[PTS645SM50-2 LFS](#) [PTS645SM43SMTR 92 LFS](#) [PTS645VL58-2 LFS](#) [PTS645VM83-2 LFS](#) [PTS645SM50SMTR 92](#)
[LFS](#) [PTS645VM39-2 LFS](#) [PTS645SK70-2 LFS](#) [PTS645SM95-2 LFS](#) [PTS645VL39-2 LFS](#) [PTS645VH58-2 LFS](#)
[PTS645VL31-2 LFS](#) [PTS645SK43-2 LFS](#) [PTS645VK58-2 LFS](#) [PTS645VL83-2 LFS](#) [PTS645SH70-2 LFS](#)
[PTS645SL50-2 LFS](#) [PTS645VK39-2 LFS](#) [PTS645SK43SMTR 92 LFS](#) [PTS645VH39-2 LFS](#) [PTS645SK95-2 LFS](#)
[PTS645SL43-2 LFS](#) [PTS645SL43SMTR 92 LFS](#) [PTS645SH50SMTR 92 LFS](#) [PTS645SL70-2 LFS](#) [PTS645SH95-2](#)
[LFS](#) [PTS645SK50SMTR 92 LFS](#) [PTS645VM31-2 LFS](#) [PTS645SH50-2 LFS](#) [PTS645TL95LFS](#) [PTS645TH70LFS](#)