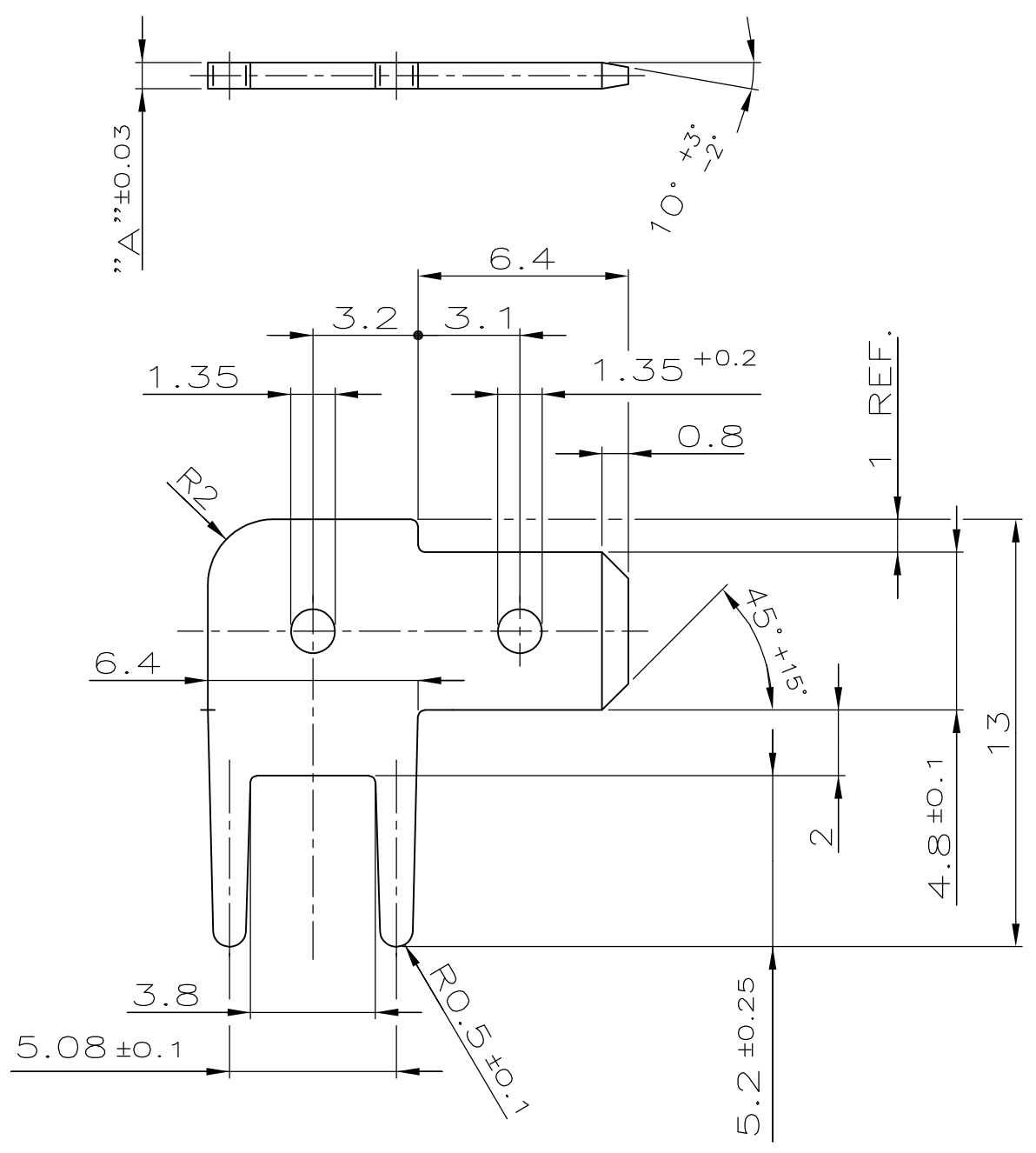


THIS DRAWING IS UNPUBLISHED. RELEASED FOR PUBLICATION
 © COPYRIGHT - By - ALL RIGHTS RESERVED.

| | | | | | | |
|-----------|-----------|-----------|---------------------------|---------|-----|------|
| DIN 46247 | LOC A1 | DIST - | REVISIONS | | | |
| | P | LTR | DESCRIPTION | DATE | DWN | APVD |
| | | F3 | REVISED PER ECO-11-005150 | 21MAR11 | RK | HMR |



- ① MIN. 4.5 μm Sn OVER MIN. 2.5 μm Cu
- ② MIN. 3 μm Sn OVER MIN. 0.8 μm Ni
- ③ PACKING: MAX. 3000 PIECES
PACKED INTO CARDBOARD BOX
- ④ RECOMMENDED DIA. FOR PCB: $\phi 1.4 - 0.1$
- ⑤ OBSOLETE PARTS: OBSOLETE CIS STREAMLINING PER D.RENAUD/D.SINISI

- ① MIN. 4.5 μm Sn ÜBER MIN. 2.5 μm Cu
- ② MIN. 3 μm Sn ÜBER MIN. 0.8 μm Ni
- ③ VERPACKUNG: MAX. 3000 TEILE
IN KARTON VERPACKT
- ④ EMPFOHLENE LEITERPLATTENBOHRUNG: $\phi 1.4 - 0.1$

| | | | | |
|------------|--------------------------|--------------------------|--|----------|
| ⑤ OBSOLETE | 0.8 | 1-726389-4 | ② | CuZn |
| | 0.8 | 1-726389-3 | MIN. 2 μm Ni | CuZn |
| | 0.8 | 1-726389-2 | ① | CuZn |
| ⑤ OBSOLETE | 0.8 | 1-726389-1 | PLAIN BLANK | CuZn |
| | 0.5 | 726389-3 | MIN. 2 μm Ni | CuZn |
| | 0.5 | 726389-2 | ① | CuZn |
| ⑤ OBSOLETE | 0.5 | -726389-1 | PLAIN BLANK | CuZn |
| | "A" DIMENSION MASS | ORDER NO. BESTELL-NR. | SURFACE OBERFLAECHE COLOUR/FARBE | MATERIAL |

| | | | | | | |
|---|--|--|--|--------------------|------------------------|-----------|
| THIS DRAWING IS A CONTROLLED DOCUMENT. | | DWN WEITZEL 28-MAY-85 | STE TE Connectivity | | | |
| | | CHK PFEIFER 28-MAY-85 | | | | |
| DIMENSIONS: mm | | APVD MORITZ 02-JUL-85 | NAME FASTON TAB 4.8 FLACHSTECKER 4.8 | | | |
| TOLERANCES UNLESS OTHERWISE SPECIFIED: | | PRODUCT SPEC ACCORDING TO DIN 46244 | RESTRICTED TO | | | |
| 0 PLC ± - 1 PLC ± 0.2 2 PLC ± - 3 PLC ± - 4 PLC ± - ANGLES ± - | | APPLICATION SPEC | SIZE A3 | CAGE CODE 00779 | DRAWING NO C-726389 | |
| MATERIAL SEE TABLE SIEHE TABELLE | | FINISH SEE TABLE SIEHE TABELLE | WEIGHT - | SCALE 5:1 | SHEET 1 OF 1 | REV F3 |
| CUSTOMER DRAWING | | | | | | |

Mouser Electronics

Authorized Distributor

Click to View Pricing, Inventory, Delivery & Lifecycle Information:

[TE Connectivity:](#)

[1-726389-2](#)