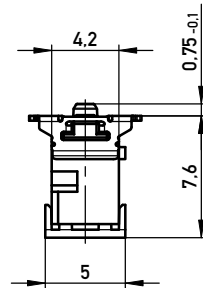


Anforderungsstufe 1
Performance Level 1

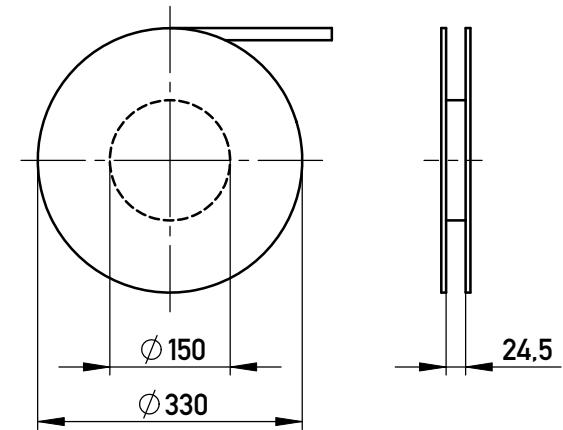
Kontaktbereich vergoldet
Mating Area gold plating

Anschlussbereich verzinkt 4-6 µm
Terminal Area 4-6 µm tin plating

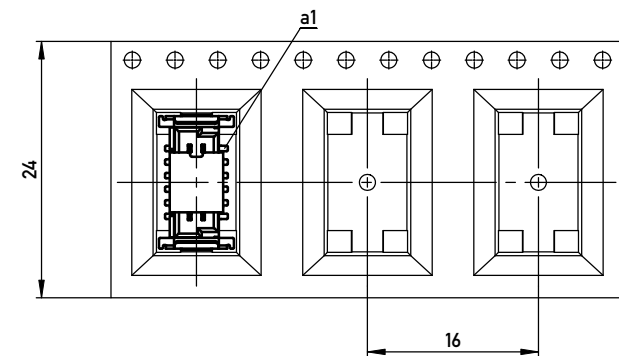
Koplanarität der Anschlüsse ≤ 0,1 mm
Coplanarity Area of Termination ≤ 0,1 mm



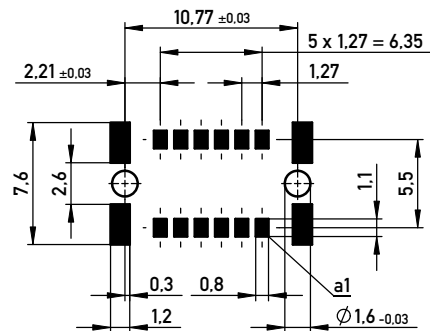
Verpackt in Gurtverpackung - Tape on Reel Packaging
Verpackungseinheit: 280 Stück - Packaging unit: 280 pcs



Abspulrichtung - Reel off Direction



Leiterplatten-Layout Vorschlag für SMT
PCB-Layout Proposal for SMT



BA 8-13 - 8mm Bauhöhe
type 8-13 - Low Profile

Information:		Tolerances	Scale 3:1
All rights reserved. Only for Information. To ensure that this is the latest version of this drawing, please contact one of the ERNI companies before using.		 All Dimensions in mm	Designation Messrl. SMC-Q 12-SMD-BA8-13 Male SMC-Q 12-SMD-type8-13
Subject to modification without prior notice. Drawing will not be updated.		www.ERNI.com	244836 I A3
b	21.10.2010	Class SMCQ	
Index	Date		

Copyright by ERNI GmbH.
Proprietary notice pursuant to ISO 16016 to be observed.