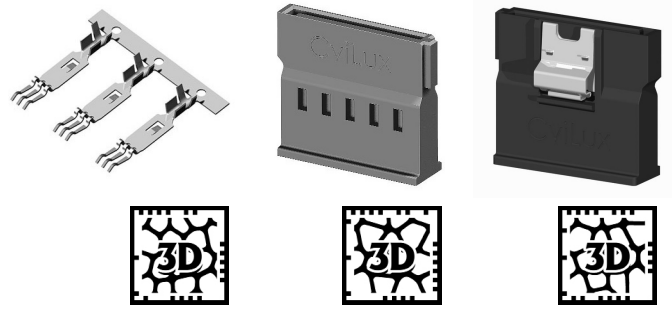
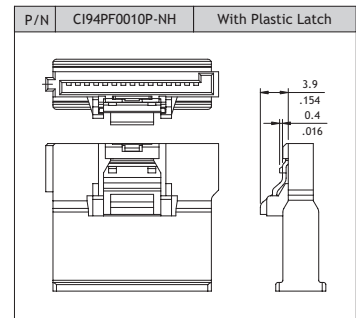
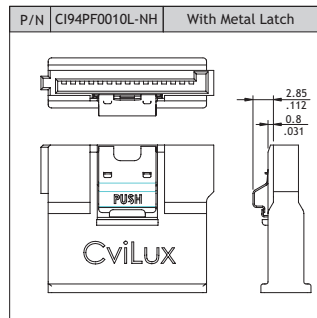
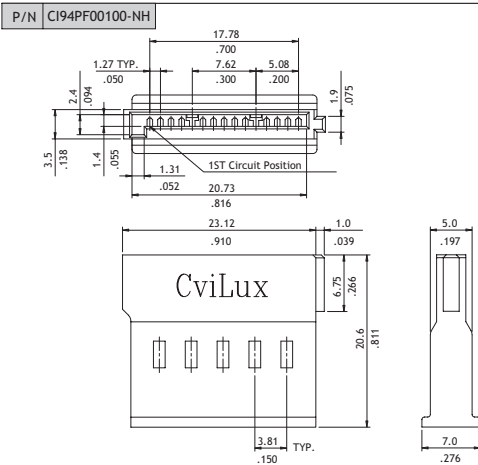
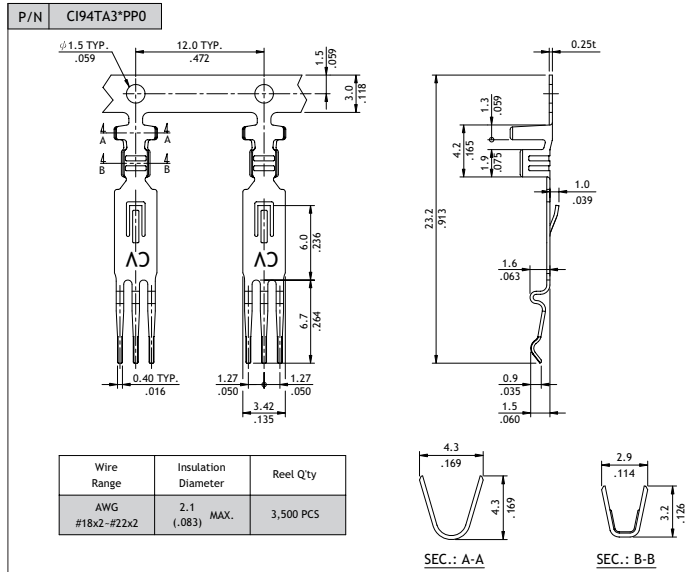
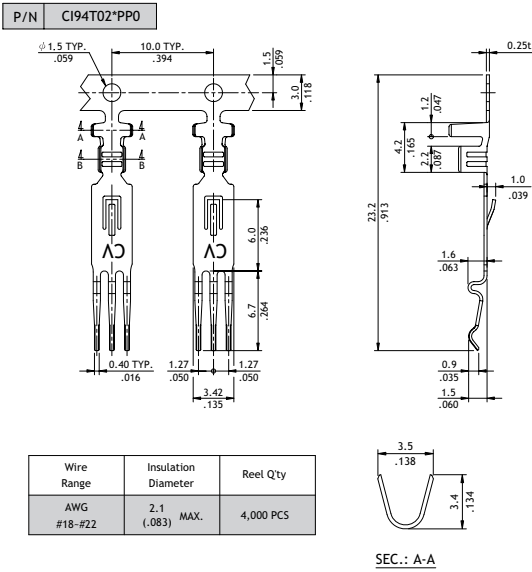


CI94 Series Serial ATA Power Crimp Terminal & Receptacle Connectors

- Meet Serial ATA Specification
- Connector interface for both 2.5" and 3.5" devices
- Supporting power delivery with 12.0V, 5.0V, and 3.3V
- Insulator: Glass Filled Polyester



RoHS Compliant HF RU



Ordering Code

1 2 3 4 5 6
CI94TA3APP0

- 1 Series No.
- 2 Type: T03 = AWG #18 ~ #22
TA3 = AWG #18x2 ~ #20x2
- 3 Plating Code: A = Selective Gold flash over Nickel
- 4 Material: P = Phosphor Bronze
- 5 Plating Method: P = Post plating
- 6 Other Options: 0 = Standard

1 2 3 4 5 6
CI94PF00100-NH

- 1 Series No.
- 2 P = Power
- 3 Type: F = Female
- 4 Color: 001 = Black
- 5 Other Options:
00 = Without Latch (Standard)
0L = With Metal Latch
0P = With Plastic Latch
- 6 -NH = Halogen-Free