



Catalog



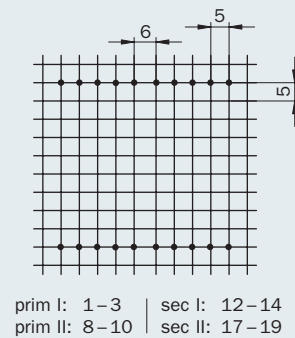
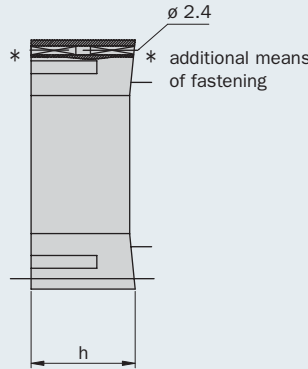
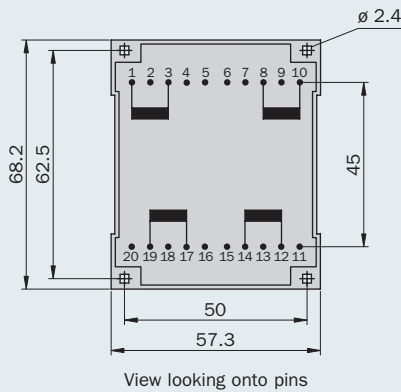
**HAHN QUALITY**  
Performance that builds trust.



- Capacity up to 30.0 VA
- Temperature class ta 70 °C/B, non short-circuit-proof
- Test certifications to ENEC 05-, KEMA KEUR-, CSA- and UL-regulations
- Vacuum encapsulated, bobbin type with dual chamber windings
- Excellent temperature fluctuation resistance properties
- High electrical safety and long service-life features
- High voltage resistance
- Self-extinguishing cast housing and sealing material
- Item quality certification

Secondary protection by means of external PTC resistances.

Parallel to the cataloged UI 39 series transformers, HAHN also produces other variants, e.g. with integrated thermo fuse or thermo switch.



Dimensions without tolerances ± 0.3 mm, Soldering pin 0.6 x 0.8 or Ø 0.8, Rights to make alterations and improvements hereby reserved

Frame size/Core height	Output ta 70 °C/B	Size (h)	Weight	Packaging unit
BV UI 392 ... / 8.0 mm	10.0 VA	23.0 mm	0.290 kg	8/15 pieces*
BV UI 393 ... / 10.2 mm	14.0 VA	25.2 mm	0.330 kg	8/15 pieces*
BV UI 394 ... / 13.5 mm	18.0 VA	28.5 mm	0.390 kg	8/15 pieces*
BV UI 395 ... / 17.0 mm	24.0 VA	32.0 mm	0.460 kg	8/15 pieces*
BV UI 396 ... / 21.0 mm	30.0 VA	36.0 mm	0.550 kg	8/15 pieces*

\* it depends on kind of packaging

- Capacity: 1.2/10/14/18/24/30 VA
- ta 70 °C/B as per VDE 0570/ EN 61558 regulations/standard
- Circuit for 115 V  
Bridge: 1 to 8 and 3 to 10
- Circuit for 230 V  
Bridge: 3 to 8
- Secondary double voltage  
Bridge: 14 to 17
- Secondary double current  
Bridge: 12 to 17 and 14 to 19
- Test voltage: 6000 V

Order No.	Total output VA	Frame Size	Primary voltage V	Connecting pins prim.	Secondary voltage V	Current sec. mA	Connecting pins sec.	No-load voltage V
BV UI 392 0092	10.0	2	2 x 115	1-3/8-10	2 x 6	833	12-14/17-19	2 x 8.2
BV UI 392 0076	10.0	2	2 x 115	1-3/8-10	2 x 9	556	12-14/17-19	2 x 11.9
BV UI 392 0093	10.0	2	2 x 115	1-3/8-10	2 x 12	416	12-14/17-19	2 x 16.4
BV UI 392 0077	10.0	2	2 x 115	1-3/8-10	2 x 15	333	12-14/17-19	2 x 19.3
BV UI 392 0094	10.0	2	2 x 115	1-3/8-10	2 x 18	277	12-14/17-19	2 x 23.8

Frame size/Core height	Output ta 70 °C/B	Size (h)	Weight	Packaging unit
BV UI 393 .... /10.2 mm	14.0 VA	25.2 mm	0.330 kg	8/15 pieces*

Order No.	Total output VA	Frame Size	Primary voltage V	Connecting pins prim.	Secondary voltage V	Current sec. mA	Connecting pins sec.	No-load voltage V
BV UI 393 0085	14.0	3	2 x 115	1-3/8-10	2 x 6	1166	12-14/17-19	2 x 8.3
BV UI 393 0074	14.0	3	2 x 115	1-3/8-10	2 x 9	778	12-14/17-19	2 x 12.4
BV UI 393 0081	14.0	3	2 x 115	1-3/8-10	2 x 12	583	12-14/17-19	2 x 16.4
BV UI 393 0078	14.0	3	2 x 115	1-3/8-10	2 x 15	467	12-14/17-19	2 x 20.6
BV UI 393 0062	14.0	3	2 x 115	1-3/8-10	2 x 18	389	12-14/17-19	2 x 24.7

Frame size/Core height	Output ta 70 °C/B	Size (h)	Weight	Packaging unit
BV UI 394 .... /13.5 mm	18.0 VA	28.5 mm	0.390 kg	8/15 pieces*

Order No.	Total output VA	Frame Size	Primary voltage V	Connecting pins prim.	Secondary voltage V	Current sec. mA	Connecting pins sec.	No-load voltage V
BV UI 394 0086	18.0	4	2 x 115	1-3/8-10	2 x 6	1500	12-14/17-19	2 x 8.7
BV UI 394 0110	18.0	4	2 x 115	1-3/8-10	2 x 7.5	1200	12-14/17-19	2 x 10.2
BV UI 394 0063	18.0	4	2 x 115	1-3/8-10	2 x 9	1000	12-14/17-19	2 x 13.0
BV UI 394 0087	18.0	4	2 x 115	1-3/8-10	2 x 12	750	12-14/17-19	2 x 16.7
BV UI 394 0088	18.0	4	2 x 115	1-3/8-10	2 x 15	600	12-14/17-19	2 x 20.4
BV UI 394 0075	18.0	4	2 x 115	1-3/8-10	2 x 18	500	12-14/17-19	2 x 23.6

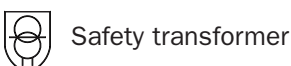
Frame size/Core height	Output ta 70 °C/B	Size (h)	Weight	Packaging unit
BV UI 395 .... /17.0 mm	24.0 VA	32.0 mm	0.460 kg	8/15 pieces*

Order No.	Total output VA	Frame Size	Primary voltage V	Connecting pins prim.	Secondary voltage V	Current sec. mA	Connecting pins sec.	No-load voltage V
BV UI 395 0089	24.0	5	2 x 115	1-3/8-10	2 x 6	2000	12-14/17-19	2 x 7.8
BV UI 395 0098	24.0	5	2 x 115	1-3/8-10	2 x 9	1333	12-14/17-19	2 x 11.4
BV UI 395 0091	24.0	5	2 x 115	1-3/8-10	2 x 12	1000	12-14/17-19	2 x 14.9
BV UI 395 0083	24.0	5	2 x 115	1-3/8-10	2 x 15	800	12-14/17-19	2 x 18.5
BV UI 395 0099	24.0	5	2 x 115	1-3/8-10	2 x 18	666	12-14/17-19	2 x 22.0
BV UI 395 0100	24.0	5	2 x 115	1-3/8-10	2 x 21	571	12-14/17-19	2 x 25.0

Frame size/Core height	Output ta 70 °C/B	Size (h)	Weight	Packaging unit
BV UI 396 .... /21.0 mm	30.0 VA	36.0 mm	0.550 kg	8/15 pieces*

Order No.	Total output VA	Frame Size	Primary voltage V	Connecting pins prim.	Secondary voltage V	Current sec. mA	Connecting pins sec.	No-load voltage V
BV UI 396 0101	30.0	6	2 x 115	1-3/8-10	2 x 6	2500	12-14/17-19	2 x 8.1
BV UI 396 0102	30.0	6	2 x 115	1-3/8-10	2 x 9	1666	12-14/17-19	2 x 11.3
BV UI 396 0079	30.0	6	2 x 115	1-3/8-10	2 x 12	1250	12-14/17-19	2 x 15.0
BV UI 396 0103	30.0	6	2 x 115	1-3/8-10	2 x 15	1000	12-14/17-19	2 x 18.6
BV UI 396 0080	30.0	6	2 x 115	1-3/8-10	2 x 18	833	12-14/17-19	2 x 22.3

\* it depends on kind of packaging





# HAHN QUALITY

Performance that builds trust.

HAHN GmbH & Co. KG  
Bellersheimer Straße 45  
D-35410 Hungen/Trais-Horloff  
Phone: 00 49 (0) 64 02 / 8 08-0  
Fax: 00 49 (0) 64 02 / 8 08-60  
info@hahn-trafo.de  
www.hahn-trafo.com