

# 0,50 mm FPC JUMPER FJH SERIES

## SPECIFICATIONS

For complete specifications see [www.samtec.com?FJH](http://www.samtec.com?FJH)

**Conductor:**  
Tin Plated Copper



**Conductor Resistance:**  
300Ω/km max

**Insulation Resistance:**  
10MΩ/km min  
(conductor-to-conductor)

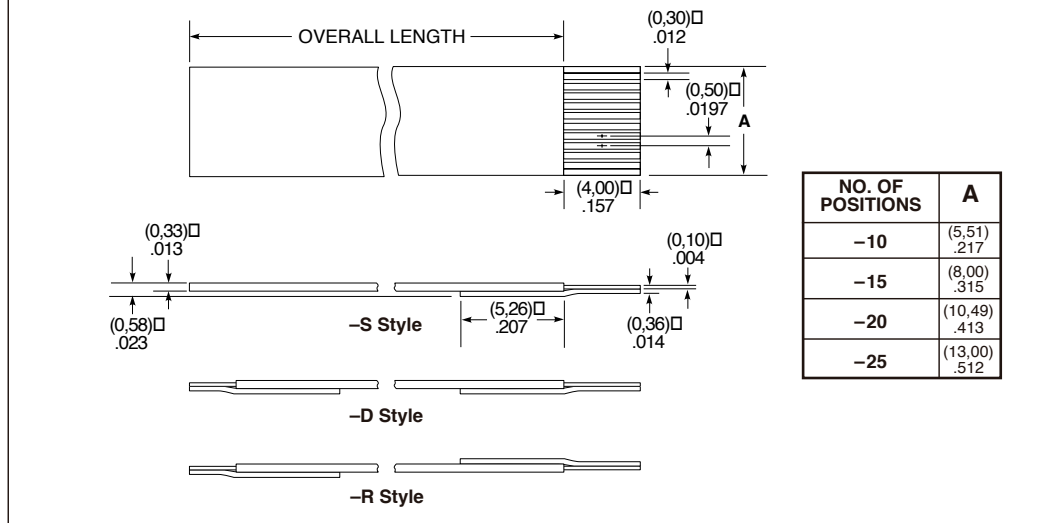
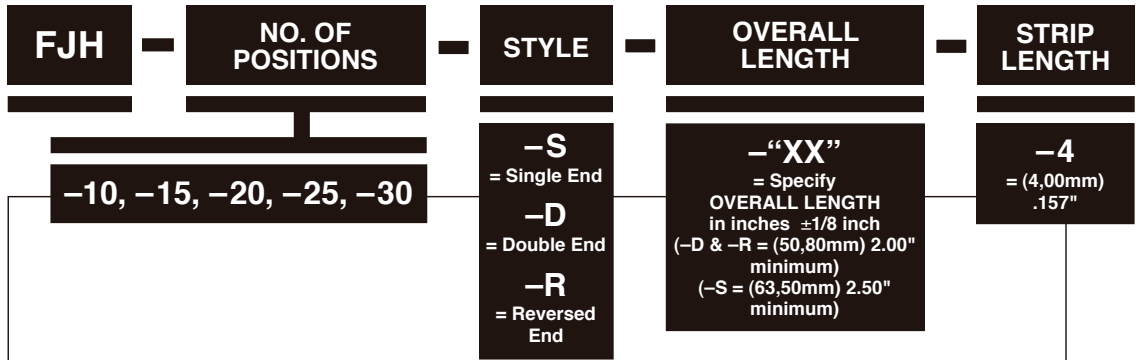
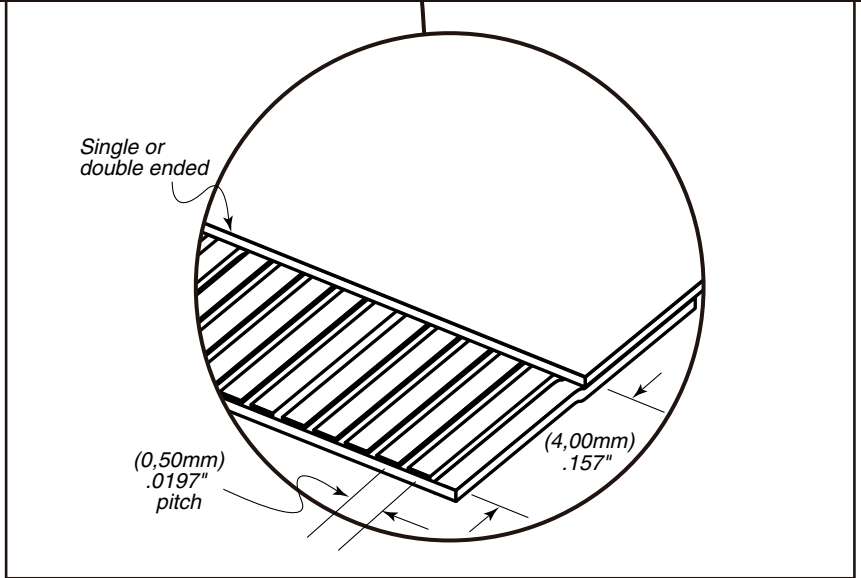
**Dielectric Test:**  
400 VAC during 1 minute  
(conductor-to-conductor)

**Temperature Rating:**  
-30°C to +80°C

**Voltage Rating:**  
300 VAC

**Flame Resistance:**  
VW-1 (UL 758)

**Mates with:**  
ZF5



**Note:** Stiffener color will be blue or black at Samtec's discretion.

**Note:** Some sizes, styles and options are non-standard, non-returnable.

*Due to technical progress, all designs, specifications and components are subject to change without notice.*

**WWW.SAMTEC.COM**