

Low power dual voltage comparator

LM193/A/293/A/393/A/2903

DESCRIPTION

The LM193 series consists of two independent precision voltage comparators with an offset voltage specification as low as 2.0mV max. for two comparators which were designed specifically to operate from a single power supply over a wide range of voltages. Operation from split power supplies is also possible and the low power supply current drain is independent of the magnitude of the power supply voltage. These comparators also have a unique characteristic in that the input common-mode voltage range includes ground, even though operated from a single power supply voltage.

The LM193 series was designed to directly interface with TTL and CMOS. When operated from both plus and minus power supplies, the LM193 series will directly interface with MOS logic where their low power drain is a distinct advantage over standard comparators.

FEATURES

- Wide single supply voltage range 2.0VDC to 36VDC or dual supplies ± 1.0 VDC, to ± 18 VDC
- Very low supply current drain (0.8mA) independent of supply voltage (2.0mW/comparator at 5.0VDC)
- Low input biasing current 25nA
- Low input offset current ± 5 nA and offset voltage ± 2 mV
- Input common-mode voltage range includes ground
- Differential input voltage range equal to the power supply voltage
- Low output 250mV at 4mA saturation voltage
- Output voltage compatible with TTL, DTL, ECL, MOS and CMOS logic systems

APPLICATIONS

- A/D converters
- Wide range VCO
- MOS clock generator
- High voltage logic gate
- Multivibrators

PIN CONFIGURATION

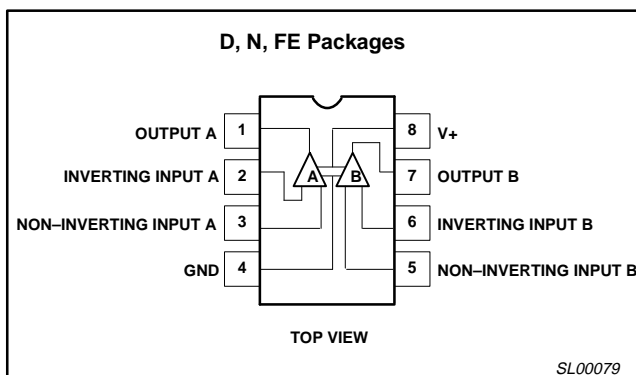


Figure 1. Pin Configuration

EQUIVALENT CIRCUIT

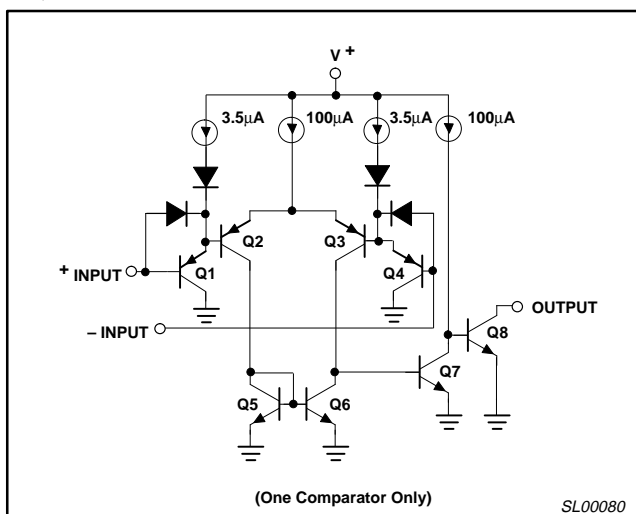


Figure 2. Equivalent Circuit

ORDERING INFORMATION

| DESCRIPTION | TEMPERATURE RANGE | ORDER CODE | DWG # |
|---|-------------------|------------|---------|
| 8-Pin Ceramic Dual In-Line Package (Cerdip) | -55°C to +125°C | LM193FE | 0580A |
| 8-Pin Ceramic Dual In-Line Package (Cerdip) | -25°C to +85°C | LM293FE | 0580A |
| 8-Pin Plastic Dual In-Line Package (DIP) | -25°C to +85°C | LM293N | SOT97-1 |
| 8-Pin Plastic Small Outline (SO) Package | -25°C to +85°C | LM293D | SOT96-1 |
| 8-Pin Plastic Dual In-Line Package (DIP) | -25°C to +85°C | LM293AN | SOT97-1 |
| 8-Pin Ceramic Dual In-Line Package (Cerdip) | 0 to +70°C | LM393AFE | 0580A |
| 8-Pin Ceramic Dual In-Line Package (Cerdip) | 0 to +70°C | LM393FE | 0580A |
| 8-Pin Plastic Small Outline (SO) Package | 0 to +70°C | LM393D | SOT96-1 |
| 8-Pin Plastic Dual In-Line Package (DIP) | 0 to +70°C | LM393N | SOT97-1 |
| 8-Pin Plastic Dual In-Line Package (DIP) | 0 to +70°C | LM393AN | SOT97-1 |
| 8-Pin Plastic Dual In-Line Package (DIP) | -40°C to +125°C | LM2903N | SOT97-1 |
| 8-Pin Plastic Dual In-Line Package (DIP) | -40°C to +125°C | LM2903D | SOT97-1 |

Low power dual voltage comparator

LM193/A/293/A/393/A/2903

ABSOLUTE MAXIMUM RATINGS

| SYMBOL | PARAMETER | RATING | UNIT |
|------------|---|----------------|------------------|
| V_{CC} | Supply voltage | 36 or ± 18 | V_{DC} |
| | Differential input voltage | 36 | V_{DC} |
| V_{IN} | Input voltage | -0.3 to +36 | V_{DC} |
| P_D | Maximum power dissipation, $T_A=25^\circ\text{C}$ (still-air) ¹ | | |
| | F package | 780 | mW |
| | N package | 1160 | mW |
| | D package | 780 | mW |
| | Output short-circuit to ground ² | Continuous | |
| I_{IN} | Input current ($V_{IN} < -0.3V_{DC}$) ³ | 50 | mA |
| T_A | Operating temperature range | | |
| | LM193/193A | -55 to +125 | $^\circ\text{C}$ |
| | LM293/293A | -25 to +85 | $^\circ\text{C}$ |
| | LM393/393A | 0 to +70 | $^\circ\text{C}$ |
| | LM2903 | -40 to +125 | $^\circ\text{C}$ |
| T_{STG} | Storage temperature range | -65 to +150 | $^\circ\text{C}$ |
| T_{SOLD} | Lead soldering temperature (10sec max) | 300 | $^\circ\text{C}$ |

NOTES:

- Derate above 25°C , at the following rates:
 F package at $6.2\text{mW}/^\circ\text{C}$
 N package at $9.3\text{mW}/^\circ\text{C}$
 D package at $6.2\text{mW}/^\circ\text{C}$
- Short circuits from the output to V_+ can cause excessive heating and eventual destruction. The maximum output current is approximately 20mA independent of the magnitude of V_+ .
- This input current will only exist when the voltage at any of the input leads is driven negative. It is due to the collector-base junction of the input PNP transistors becoming forward biased and thereby acting as input diode clamps. In addition to this diode action, there is also lateral NPN parasitic transistor action on the IC chip. This transistor action can cause the output voltages of the comparators to go to the V_+ voltage level (or to ground for a large overdrive) for the time duration that an input is driven negative. This is not destructive and normal output states will re-establish when the input voltage, which was negative, again returns to a value greater than $-0.3V_{DC}$.

Low power dual voltage comparator

LM193/A/293/A/393/A/2903

DC AND AC ELECTRICAL CHARACTERISTICS

V₊=5V_{DC}, LM193/193A: -55°C T_A ≤ +125°C, unless otherwise specified. LM293/293A: -25°C T_A ≤ +85°C, unless otherwise specified. LM393/393A: 0°C T_A ≤ +70°C, unless otherwise specified. LM2903: -40°C T_A ≤ +125°C, unless otherwise specified.

| SYMBOL | PARAMETER | TEST CONDITIONS | LM193A | | | LM293A/393A | | | LM2903 | | | UNIT |
|-------------------|---|---|--------|------|--|-------------|------|--|--------|------------|--|----------|
| | | | Min | Typ | Max | Min | Typ | Max | Min | Typ | Max | |
| V _{OS} | Input offset voltage ² | T _A =25°C Over temp. | | ±1.0 | ±2.0 ±4.0 | | ±1.0 | ±2.0 ±4.0 | | ±2.0 ±9 | ±7.0 ±15 | mV mV |
| V _{CM} | Input common-mode voltage range ^{3, 6} | T _A =25°C Over temp. | 0 0 | | V ₊ -1.5 V ₊ -2.0 | 0 0 | | V ₊ -1.5 V ₊ -2.0 | 0 0 | | V ₊ -1.5 V ₊ -2.0 | V V |
| V _{IDR} | Differential input voltage ¹ | Keep all V _{IN} S ≥ 0V _{DC} (or V- if need) | | | V ₊ | | | V ₊ | | | V ₊ | V |
| I _{BIAS} | Input bias current ⁴ | I _{IN(+)} or I _{IN(-)} with output in linear range T _A =25°C Over temp. | | 25 | 100 300 | | 25 | 250 400 | | 25 200 | 250 500 | nA nA |
| I _{OS} | Input offset current | I _{IN(+)} -I _{IN(-)} T _A =25°C Over temp. | | ±3.0 | ±25 ±100 | | ±5.0 | ±50 ±150 | | ±5 ±50 | ±50 ±200 | nA nA |
| I _{OL} | Output sink current | V _{IN(-)} ≥ 1V _{DC} , V _{IN(+)} =0, V _O ≤ 1.5V _{DC} T _A =25°C | 6.0 | 16 | | 6.0 | 16 | | 6.0 | 16 | | mA |
| | Output leakage current | V _O =5V _{DC} , T _A =25°C V _{IN(+)} ≥ 1V _{DC} , V _{IN(-)} =0 V _O =30V _{DC} Over temp. | | 0.1 | 1.0 | | 0.1 | 1.0 | | 0.1 | 1.0 | nA μA |
| I _{CC} | Supply current | R _L =∞ on both comparators, T _A =25°C | | 0.8 | 1 | | 0.8 | 1 | | 0.8 | 1 | mA |
| | | R _L =∞ on both comparators, V ₊ =30V | | 1 | 2.5 | | 1 | 2.5 | | 1 | 2.5 | mA |
| A _V | Voltage gain | R _L ≥ 15kΩ, V ₊ =15V _{DC} , T _A =25°C | 50 | 200 | | 50 | 200 | | 25 | 100 | | V/mV |
| V _{OL} | Saturation voltage | V _{IN(-)} ≥ 1V _{DC} , V _{IN(+)} =0, I _{SINK} ≤ 4mA | | | | | | | | | | |
| | | T _A =25°C Over temp. | | 250 | 400 700 | | 250 | 400 700 | | 400 | 400 700 | |
| t _{LSR} | Large-signal response time | V _{IN} =TTL logic swing, V _{REF} =1.4V _{DC} V _{RL} =5V _{DC} , R _L =5.1kΩ, T _A =25°C | | 300 | | | 300 | | | 300 | | ns |
| t _R | Response time ⁵ | V _{RL} =5V _{DC} , R _L =5.1kΩ T _A =25°C | | 1.3 | | | 1.3 | | | 1.3 | | μs |

Low power dual voltage comparator

LM193/A/293/A/393/A/2903

DC ELECTRICAL CHARACTERISTICS (Continued)

V₊=5V_{DC}, LM193/193A: -55°C T_A ≤ +125°C, unless otherwise specified. LM293/293A: -25°C T_A ≤ +85°C, unless otherwise specified. LM393/393A: 0°C T_A ≤ +70°C, unless otherwise specified. LM2903: -40°C T_A ≤ +125°C, unless otherwise specified.

| SYMBOL | PARAMETER | TEST CONDITIONS | LM193 | | | LM293/393 | | | UNIT |
|-------------------|---|--|--------|------|----------------|-----------|------|----------------|----------|
| | | | Min | Typ | Max | Min | Typ | Max | |
| V _{OS} | Input offset voltage ² | T _A =25°C Over temp. | | ±2.0 | ±5.0 ±9.0 | | ±2.0 | ±5.0 ±9.0 | mV mV |
| V _{CM} | Input common-mode voltage range ^{3, 6} | T _A =25°C Over temp. | 0 0 | | V±1.5 V±2.0 | 0 0 | | V±1.5 V±2.0 | V V |
| V _{IDR} | Differential input voltage ¹ | Keep all V _{IN} S ≥ 0V _{DC} (or V-if need) | | | V+ | | | V+ | V |
| I _{BIAS} | Input bias current ⁴ | I _{IN(+)} or I _{IN(-)} with output in linear range T _A =25°C Over temp. | | 25 | 100 300 | | 25 | 250 400 | nA nA |
| I _{OS} | Input offset current | I _{IN(+)} -I _{IN(-)} T _A =25°C Over temp. | | ±3.0 | ±25 ±100 | | ±5.0 | ±50 ±150 | nA nA |
| I _{OL} | Output sink current | V _{IN(-)} ≥ 1V _{DC} , V _{IN(+)} =0, V _O ≤ 1.5V _{DC} T _A =25°C | 6.0 | 16 | | 6.0 | 16 | | mA |
| | Output leakage current | V _{IN(+)} ≥ 1V _{DC} , V _{IN(-)} =0, V _O =5V _{DC} T _A =25°C V _O =30V _{DC} over temp. | | 0.1 | 1.0 | | 0.1 | 1.0 | nA μA |
| I _{CC} | Supply current | R _L =∞ on both comparators, T _A =25°C | | 0.8 | 1 | | 0.8 | 1 | mA |
| | | R _L =∞ on both comparators, V ₊ =30V | | | 2.5 | | | 2.5 | mA |
| A _V | Voltage gain | R _L ≥ 15kΩ, V ₊ =15V _{DC} | 50 | 200 | | 50 | 200 | | V/mV |
| V _{OL} | Saturation voltage | V _{IN(-)} ≥ 1V _{DC} , V _{IN(+)} =0, I _{SINK} ≤ 4mA T _A =25°C Over temp. | | 250 | 400 700 | | 250 | 400 700 | mV mV |
| t _{LSR} | Large signal response time | V _{IN} =TTL logic swing, V _{REF} =1.4V _{DC} , V _{RL} =5V _{DC} R _L =5.1kΩ, T _A =25°C | | 300 | | | 300 | | ns |
| t _R | Response time ⁵ | V _{RL} =5V _{DC} , R _L =5.1kΩ T _A =25°C | | 1.3 | | | 1.3 | | μs |

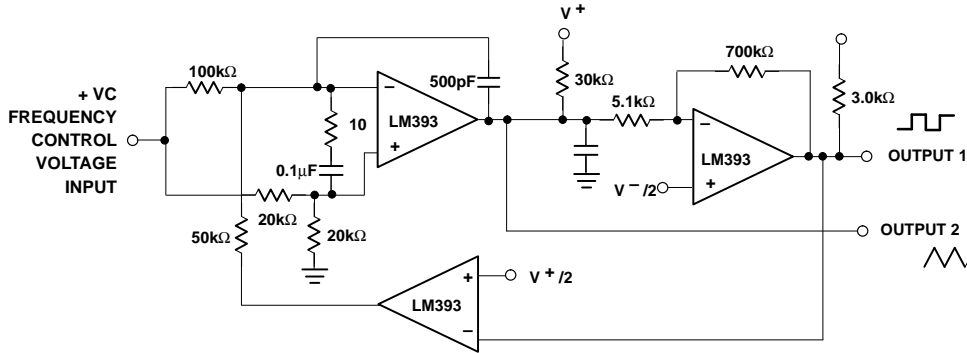
NOTES:

- Positive excursions of input voltage may exceed the power supply level by 17V. As long as the other voltage remains within the common-mode range, the comparator will provide a proper output state. The low input voltage state must not be less than -0.3V_{DC} (V_{DC} below the magnitude of the negative power supply, if used).
- At output switch point, V_O ≈ 1.4V_{DC}, R_S=0Ω with V₊ from 5V_{DC} to 30V_{DC} and over the full input common-mode range (0V_{DC} to V₊-1.5V_{DC}).
- The input common-mode voltage or either input signal voltage should not be allowed to go negative by more than 0.3V. The upper end of the common-mode voltage range is V₊-1.5V, but either or both inputs can go to 30V_{DC} without damage.
- The direction of the input current is out of the IC due to the PNP input stage. This current is essentially constant, independent of the state of the output so no loading change exists on the reference or input lines.
- The response time specified is for a 100mV input step with a 5mV overdrive.
- For input signals that exceed V_{CC}, only the over-driven comparator is affected. With a 5V supply, V_{IN} should be limited to 25V maximum, and a limiting resistor should be used on all inputs that might exceed the positive supply.

Low power dual voltage comparator

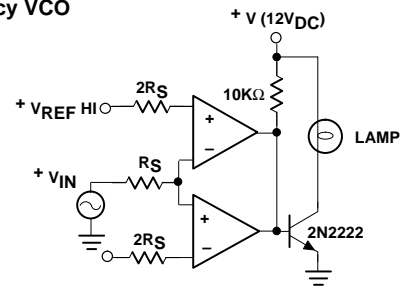
LM193/A/293/A/393/A/2903

EQUIVALENT CIRCUIT

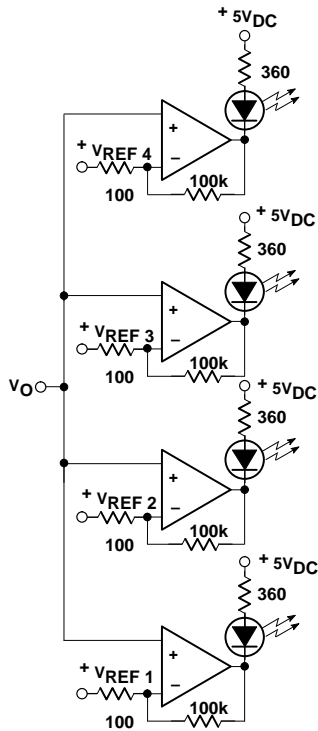


NOTES:
 $V+ = 30V_{DC}$
 $+250mV_{DC} \leq V_C = 50V_{DC}$
 $700H \leq f_O = 100kHz$

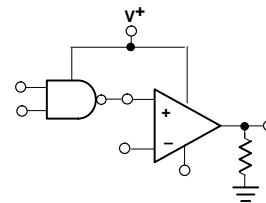
Two-Decade High-Frequency VCO



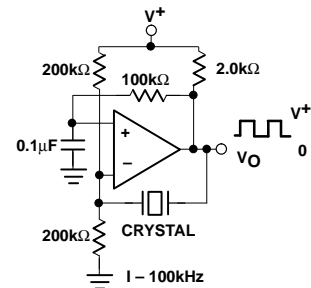
Limit Comparator



Visible Voltage Indicator



TTL-to-MOS Logic Converter



Crystal-Controlled Oscillator

NOTE:
 Input of unused comparators should be grounded.

SL00081

Figure 3. Equivalent Circuit

Low power dual voltage comparator

LM193/A/293/A/393/A/2903

TYPICAL PERFORMANCE CHARACTERISTICS

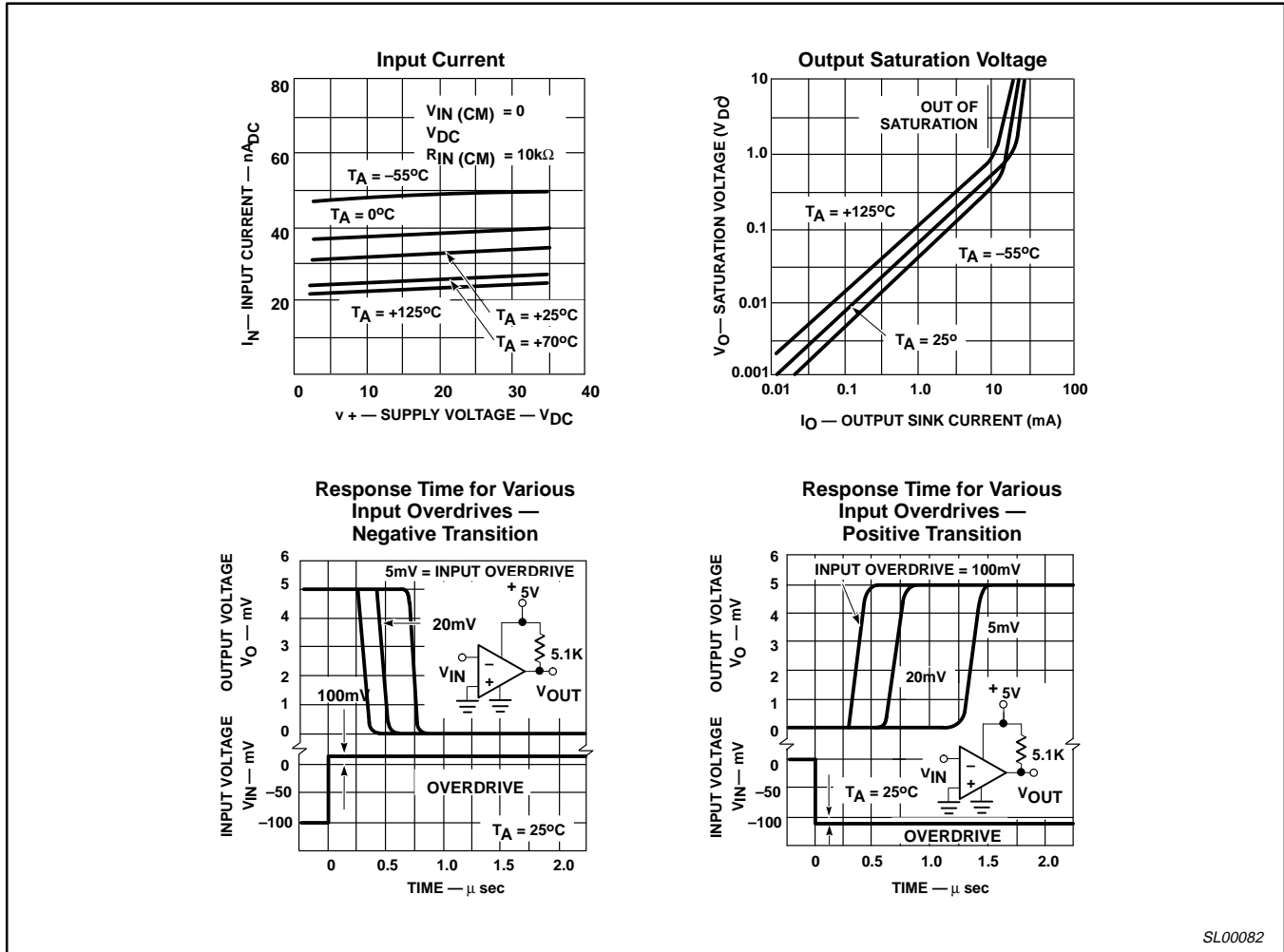


Figure 4. Typical Performance Characteristics