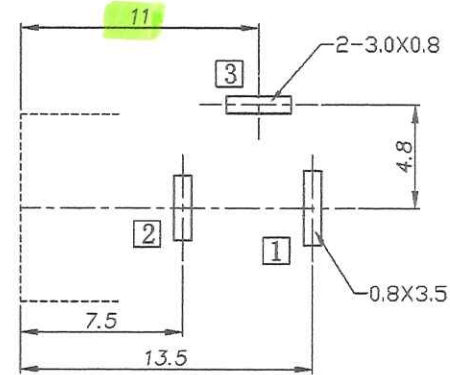
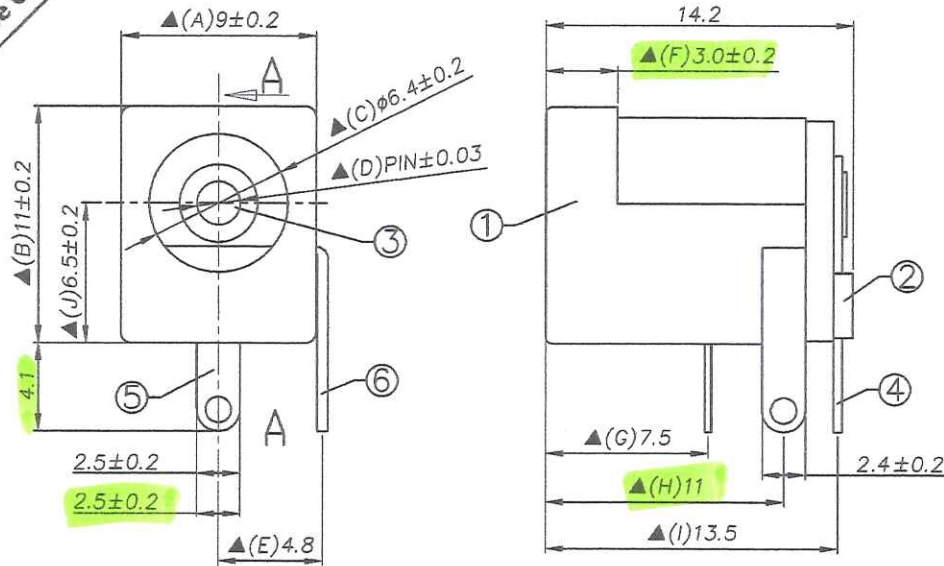
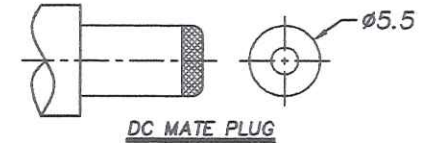


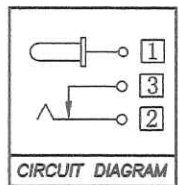
RoHS
Compliant
Drawing For
Reference Only



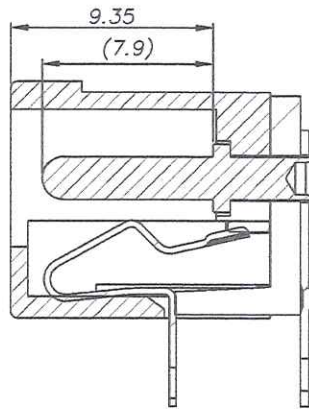
P. C. B Layout
(Copper-sided view)



| MODEL NO. | PIN |
|------------------|------|
| DS-210B(PBT)(NB) | φ2.0 |
| DS-210A(PBT)(NB) | φ2.5 |



□ : TERMINAL NO.



SEC:A-A

SPECIFICATION

1. Rating : DC 20V 4A;
2. Contact resistance: ≤ 30mΩ;
3. Insulation resistance: ≥ 100MΩ (DC500V);
4. Withstand voltage: 500VAC ;
5. Insertion and extraction force: 3-30N;
6. life test: 5,000 cycles;
7. Operation temperature range: -20°C~70°C;
8. Preservative temperature range: -40°C~85°C;
9. Sign "▲" "is importance dimension.

Technical requirement :

1. This product should meet EU RoHS related requirement.
2. The surface of plastic part should be without any crackle such as burr, lack, and so on phenomenon.
3. The surface of metal part should be without any defect such as scour, nick, oxidation and plating problem.
4. The electronic performance should be the same as spec.
5. The un-specified tolerance is : 6 ± 0.1
$6\sim 20\pm 0.2$
$>20\pm 0.3$

| NO. | DESCRIPTION | QTY | MATERIAL | REMARK |
|-----|---------------------|-----|------------------------|---------------------|
| ⑥ | Shunt terminal | ③ 1 | Brass t=0.5 | Tin plating |
| ⑤ | Tip spring | ② 1 | Phosphor bronze t=0.30 | Tin plating |
| ④ | Center pin terminal | ① 1 | Brass t=0.40 | Tin plating |
| ③ | Center pin | ① 1 | Brass | CuSn/Nickel plating |
| ② | Cover | 1 | PBT | |
| ① | Housing | 1 | PBT | |

DCI DRAGON CITY INDUSTRIES LIMITED

| Item Name | DC POWER JACK | Tolerance : | Design | K.W Law | Remark | Scale |
|-----------|-----------------|-------------|----------|-----------|--------|-------------------------|
| Item No. | DS-210(PBT)(NB) | Unit : mm | Drawing | W.K Yeung | Remark | Material |
| | | | Check | K.L Wong | Remark | Drawing No. A20918-1525 |
| | | | Approval | K.W Chan | Remark | Sheet |