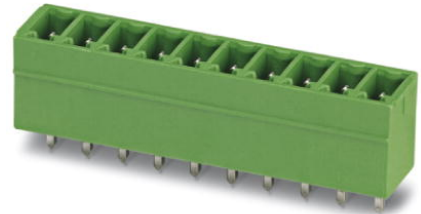


# MCV 1,5/ 8-G-3,81

Order No.: 1803484


The figure shows a 10-position version of the product



<http://eshop.phoenixcontact.se/phoenix/treeViewClick.do?UID=1803484>

Header, Nominal current: 8 A, Rated voltage (III/2): 160 V, Number of positions: 8, Pitch: 3.81 mm, Color: green, Contact surface: Tin, Assembly: Soldering

## Commercial data

EAN	 4 017918 045791
Pack	50
Customs tariff	85366990
Catalog page information	Page 213 (CC-2011)

## Product notes

WEEE/RoHS-compliant since:  
2003-01-01



Please note that the data given here has been taken from the online catalog. For comprehensive information and data, please refer to the user documentation at <http://www.download.phoenixcontact.com>. The General Terms and Conditions of Use apply to Internet downloads.

## Technical data

### Dimensions / positions

Length	7.25 mm
Pitch	3.81 mm
Dimension a	26.67 mm
Number of positions	8
Pin dimensions	0,8 x 0,8 mm
Hole diameter	1.2 mm

**Technical data**

Range of articles	MCV 1,5/...-G
Insulating material group	IIIa
Rated surge voltage (III/3)	2.5 kV
Rated surge voltage (III/2)	2.5 kV
Rated surge voltage (II/2)	2.5 kV
Rated voltage (III/2)	160 V
Rated voltage (II/2)	250 V
Connection in acc. with standard	EN-VDE
Nominal current I <sub>N</sub>	8 A
Nominal voltage U <sub>N</sub>	160 V
Maximum load current	8 A
Insulating material	PBT
Inflammability class according to UL 94	V0
Color	green
Nominal voltage, UL/CUL Use Group B	300 V
Nominal current, UL/CUL Use Group B	8 A
Nominal voltage, UL/CUL Use Group D	300 V
Nominal current, UL/CUL Use Group D	8 A

**Certificates**



Certification CB, CSA, CUL, GOST, UL, VDE-PZI

Certifications applied for:

Certification Ex:

**Accessories**

Item	Designation	Description
------	-------------	-------------

**Marking**

1051993	B-STIFT	Marker pen, for manual labeling of unprinted Zack strips, smear-proof and waterproof, line thickness 0.5 mm
---------	---------	---

0804109	SK 3,81/2,8:FORTL.ZAHLEN	Marker cards, Card, white, labeled, Horizontal: Consecutive numbers 1 - 10, 11 - 20, etc. up to 91 - (99)100, Mounting type: Adhesive, For terminal block width: 3.81 mm
0805056	SK 3,81/2,8:SO	Marker cards, white, Mounting type: Adhesive, For terminal block width: 3.81 mm

**Plug/Adapter**

1734634	CP-MSTB	Keying profile, is inserted into the slot on the plug or inverted header, red insulating material
---------	---------	---

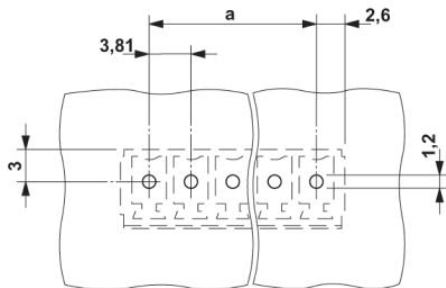
**Additional products**

Item	Designation	Description
<b>General</b>		
1851106	FK-MCP 1,5/ 8-ST-3,81	Plug component, Nominal current: 8 A, Rated voltage (III/2): 160 V, Number of positions: 8, Pitch: 3.81 mm, Connection method: Spring-cage conn., Color: green, Contact surface: Tin
1850725	FRONT-MC 1,5/ 8-ST-3,81	Plug component, Nominal current: 8 A, Rated voltage (III/2): 160 V, Number of positions: 8, Pitch: 3.81 mm, Connection method: Screw connection, Color: green, Contact surface: Tin
1862632	IMC 1,5/ 8-G-3,81	Header, Nominal current: 8 A, Rated voltage (III/2): 160 V, Number of positions: 8, Pitch: 3.81 mm, Color: green, Contact surface: Tin, Assembly: Soldering
1875483	IMCV 1,5/ 8-G-3,81	Header, Nominal current: 8 A, Rated voltage (III/2): 160 V, Number of positions: 8, Pitch: 3.81 mm, Color: green, Contact surface: Tin, Assembly: Soldering
1803633	MC 1,5/ 8-ST-3,81	Plug component, Nominal current: 8 A, Rated voltage (III/2): 160 V, Number of positions: 8, Pitch: 3.81 mm, Connection method: Screw connection, Color: green, Contact surface: Tin
1852231	MCC 1/ 8-STZ-3,81	Plug component, Nominal current: 8 A, Rated voltage (III/2): 160 V, Number of positions: 8, Pitch: 3.81 mm, Connection method: Crimp connection, Color: green, Corresponding female crimp contacts with current [A] and conductor cross section range [mm <sup>2</sup> ] data: 5A/MCC-MT 0,2-0,35 (1859988); 8A/MCC-MT 0,5-1,0 (1859991)
1827185	MCVR 1,5/ 8-ST-3,81	Plug component, Nominal current: 8 A, Rated voltage (III/2): 160 V, Number of positions: 8, Pitch: 3.81 mm, Connection method: Screw connection, Color: green, Contact surface: Tin
1827033	MCVW 1,5/ 8-ST-3,81	Plug component, Nominal current: 8 A, Rated voltage (III/2): 160 V, Number of positions: 8, Pitch: 3.81 mm, Connection method: Screw connection, Color: green, Contact surface: Tin
1897458	QC 0,5/ 8-ST-3,81	Plug component, Nominal current: 6 A, Rated voltage (III/2): 200 V, Number of positions: 8, Pitch: 3.81 mm, Connection method: Insulation displacement connection QUICKON, Color: green, Contact surface: Tin

## Drawings

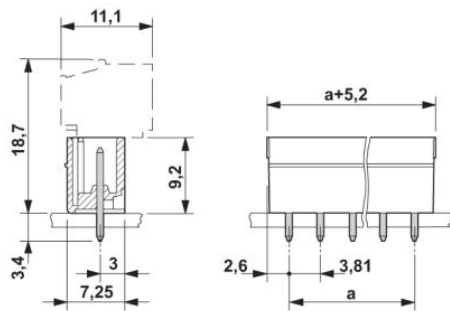
### Drilling plan/solder pad geometry

---



### Dimensioned drawing

---



**Address**

Phoenix Contact AB  
Linvägen 2  
14144 Huddinge, Sweden  
Phone +46 (0)8 - 608 64 00  
Fax +46 (0)8 - 608 64 99  
<http://www.phoenixcontact.se>

Phoenix Contact Oy  
Technical modifications reserved;