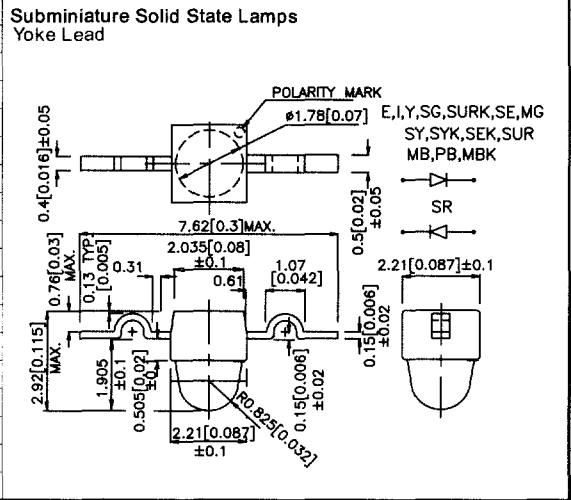


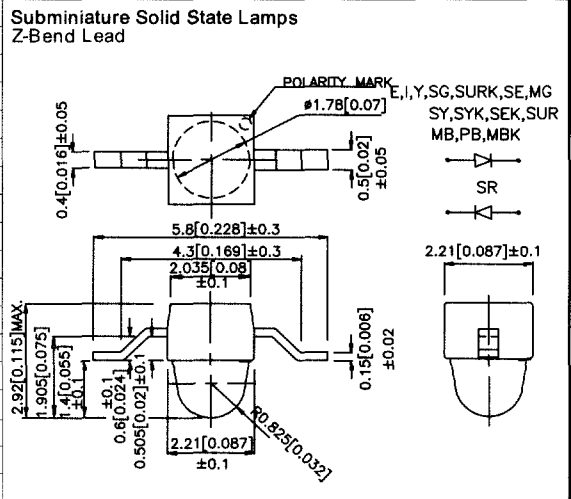


Part No.	Emitting Color + Material	λ D (nm)	Lens Type	Iv (mcd)		Viewing Angle	Dimension
				@20mA	*10mA		

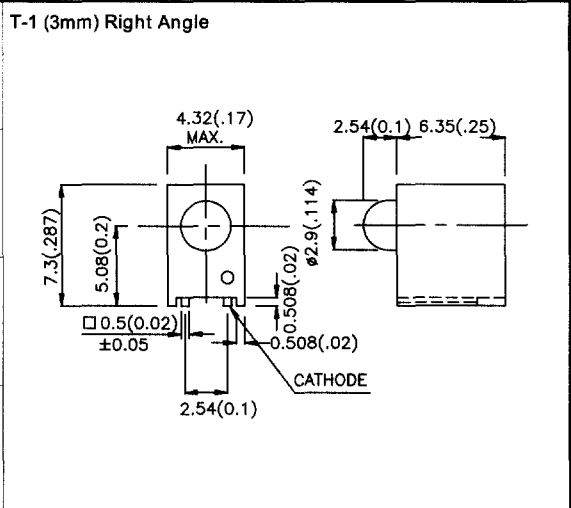
KM-27ID-08	GaAsP/GaP	625	red diffused	8	30	40°
KM-27EC-08	GaAsP/GaP	625	water clear	12	70	20°
KM-27YD-08	GaAsP/GaP	588	yellow diffused	3	10	40°
KM-27YC-08	GaAsP/GaP	588	water clear	10	30	20°
KM-27SGD-08	GaP	568	green diffused	3	10	40°
KM-27SGC-08	GaP	568	water clear	40	100	20°
KM-27SRD-08	GaAlAs	640	red diffused	50	150	40°
KM-27SRC-08	GaAlAs	640	water clear	120	600	20°
KM-27SURC-08	InGaAlP	628	water clear	300	700	20°
KM-27SURCK-08	InGaAlP	630	water clear	200	700	20°
KM-27SEC-08	InGaAlP	601	water clear	500	1300	20°
KM-27SECK-08	InGaAlP	601	water clear	180	700	20°
KM-27MGC-08	InGaAlP	568	water clear	100	400	20°
KM-27SYC-08	InGaAlP	588	water clear	110	500	20°
KM-27SYCK-08	InGaAlP	590	water clear	70	300	20°
KM-27MBC-08	GaN	455	water clear	30	60	20°
KM-27MBKC-08	GaN	455	water clear	10	30	20°
KM-27PBC-08	InGaN	465	water clear	100	250	20°



KM-27ID-09	GaAsP/GaP	625	red diffused	8	30	40°
KM-27EC-09	GaAsP/GaP	625	water clear	12	70	20°
KM-27YD-09	GaAsP/GaP	588	yellow diffused	3	10	40°
KM-27YC-09	GaAsP/GaP	588	water clear	10	30	20°
KM-27SGD-09	GaP	568	green diffused	3	10	40°
KM-27SGC-09	GaP	568	water clear	40	100	20°
KM-27SRD-09	GaAlAs	640	red diffused	50	150	40°
KM-27SRC-09	GaAlAs	640	water clear	120	600	20°
KM-27SURC-09	InGaAlP	628	water clear	300	700	20°
KM-27SURCK-09	InGaAlP	630	water clear	200	700	20°
KM-27SEC-09	InGaAlP	601	water clear	500	1300	20°
KM-27SECK-09	InGaAlP	601	water clear	180	700	20°
KM-27MGC-09	InGaAlP	568	water clear	100	400	20°
KM-27SYC-09	InGaAlP	588	water clear	110	500	20°
KM-27SYCK-09	InGaAlP	590	water clear	70	300	20°
KM-27MBC-09	GaN	455	water clear	30	60	20°
KM-27MBCK-09	GaN	455	water clear	10	30	20°
KM-27PBC-09	InGaN	465	water clear	100	250	20°



L-934EWP/1ID-0L	GaAsP/GaP	625	red diffused	*8	*25	60°
L-934EWP/1GD-0L	GaP	568	green diffused	*8	*20	60°
L-934EWP/1YD-0L	GaAsP/GaP	588	yellow diffused	*5	*15	60°
L-934EWP/1SRD-0L	GaAlAs	640	red diffused	100	300	60°



NOTES :  
 1. All dimensions are in millimeters (inches)  
 2. Tolerance is ±0.25mm(0.01") unless otherwise noted.