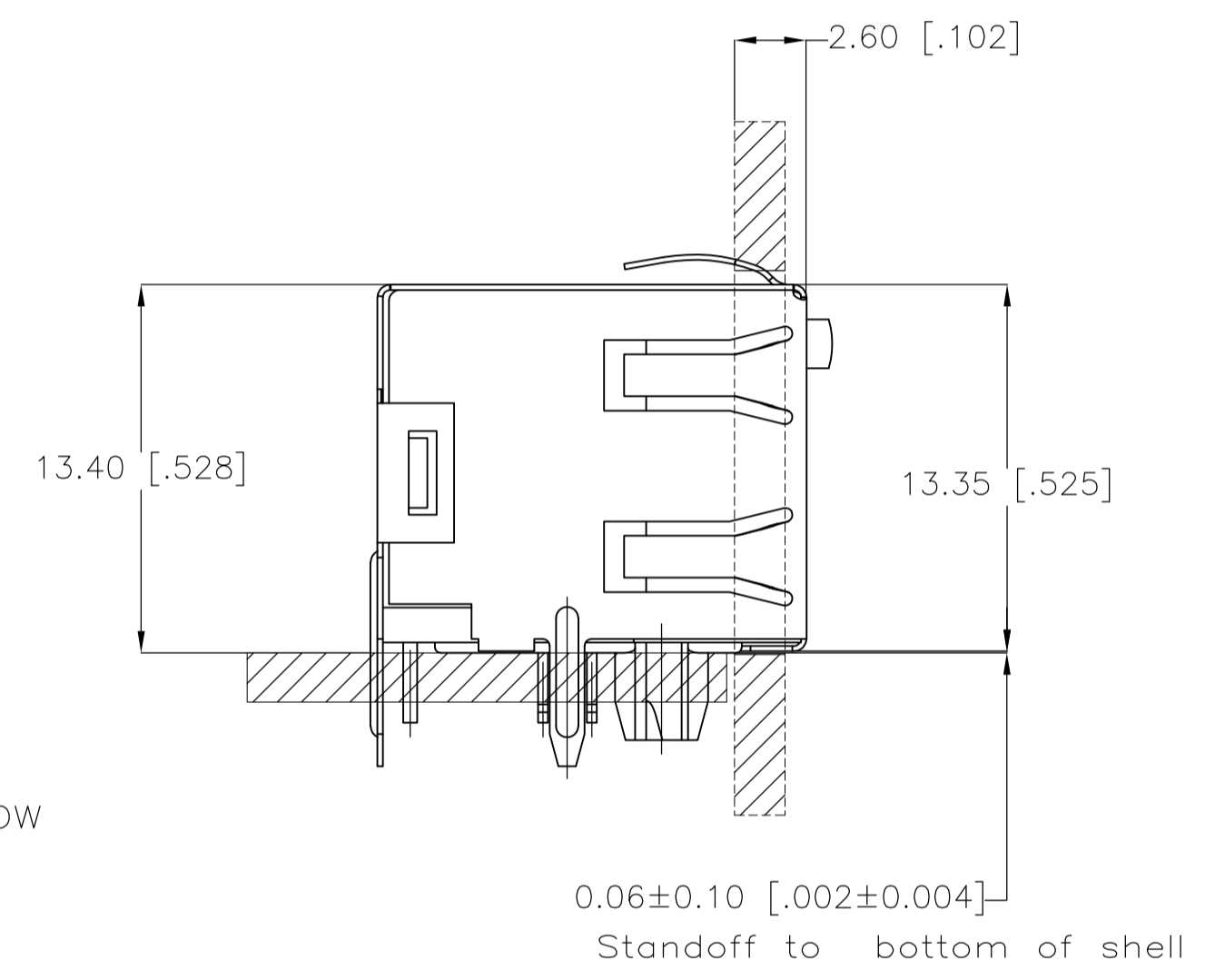
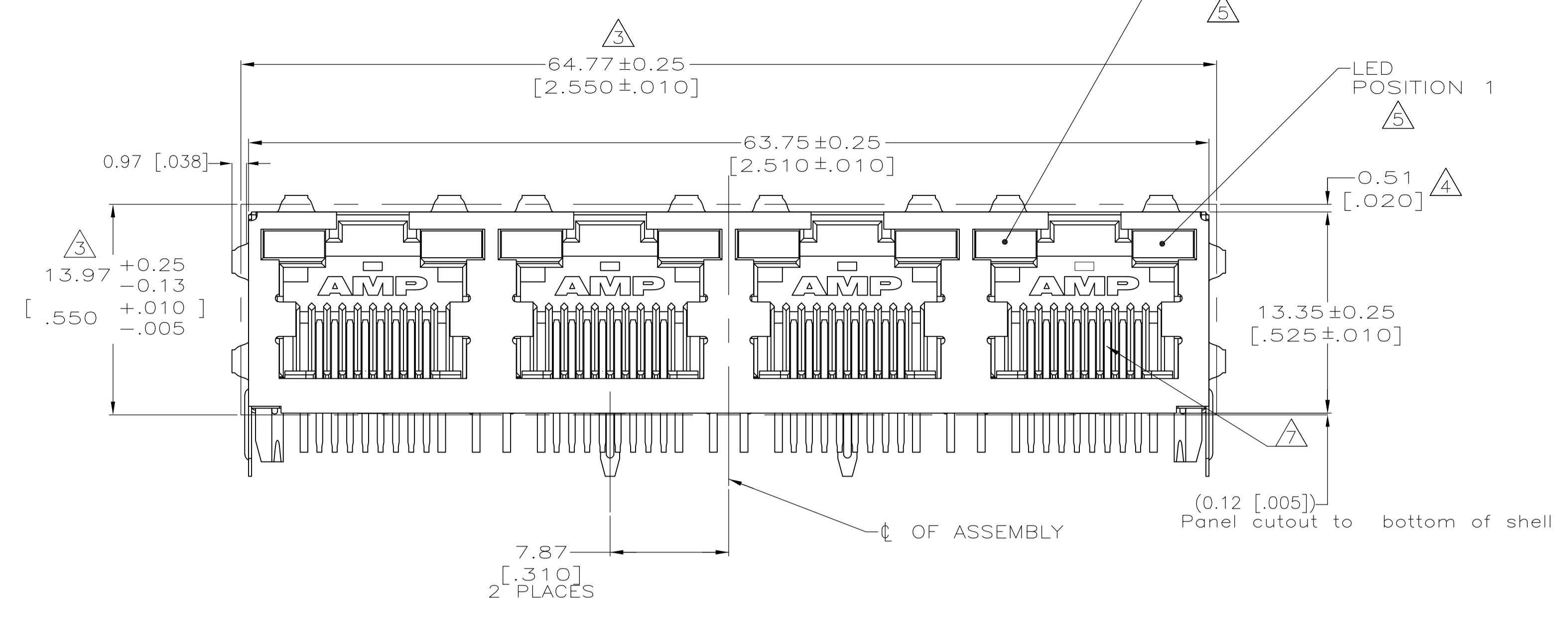
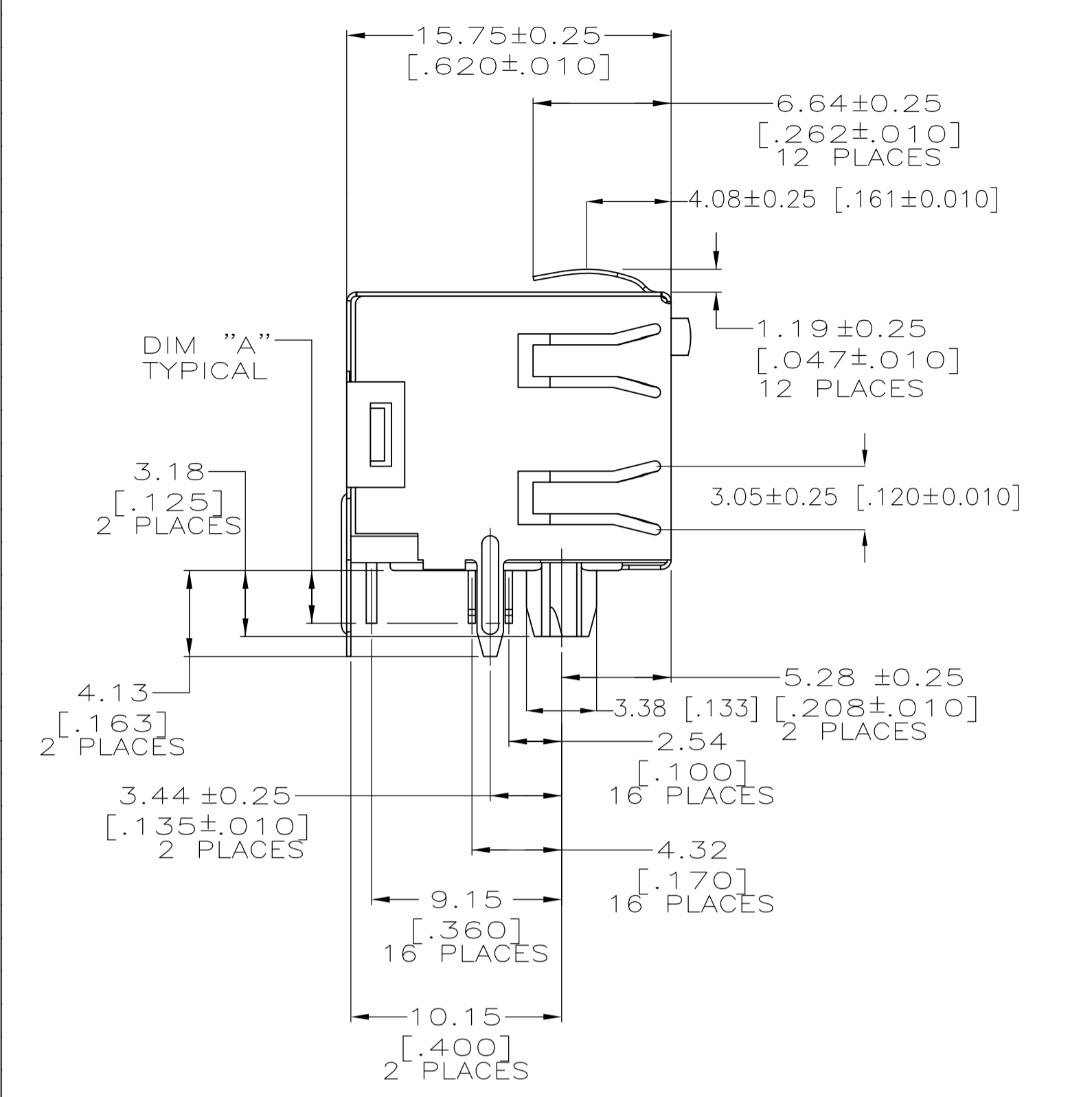
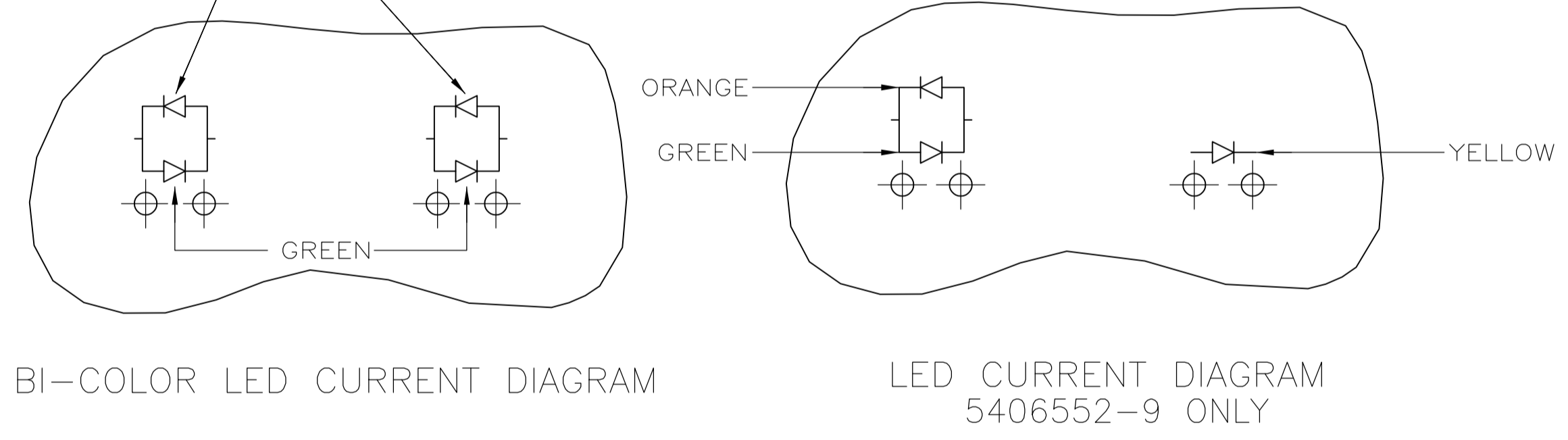


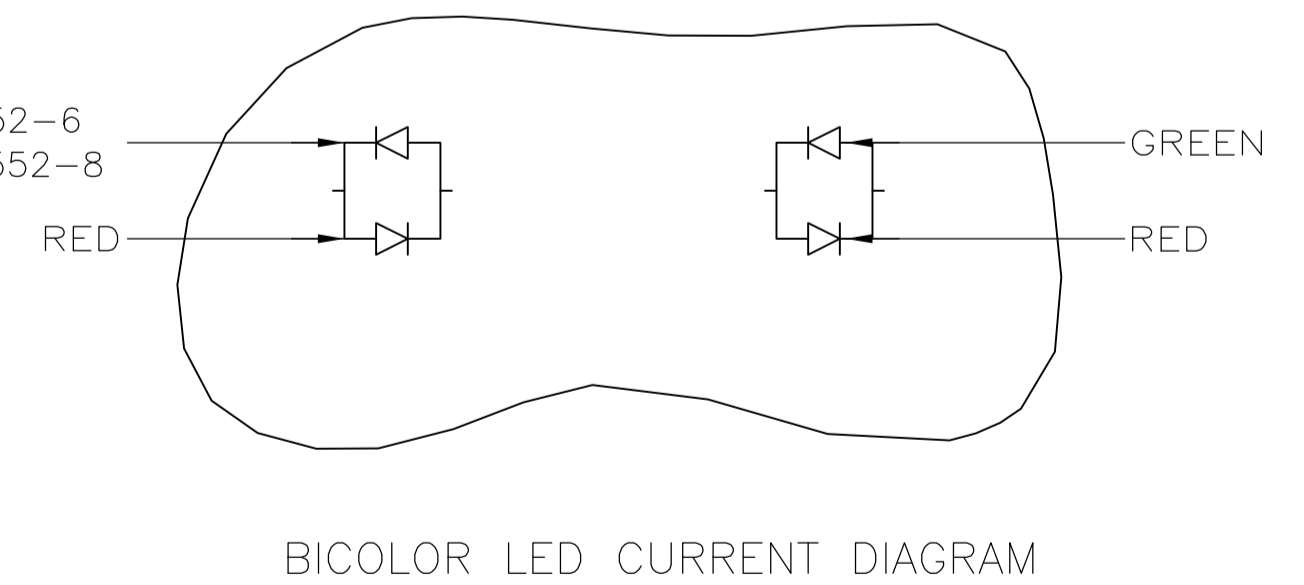
| LOC | DIST | REVISIONS | | | | |
|-----|---------------|-----------|-------------|----------|----|------|
| AA | 00 | REV | DESCRIPTION | DATE | BY | APPV |
| F1 | ECR-14-016571 | | | 4NOV2014 | CW | SH |



RED FOR 1-5406552-3
 YELLOW FOR 5406552-8
 AND 2-5406552-0
 ORANGE FOR 5406552-7



GREEN FOR 1-5406552-6
 YELLOW FOR 1-5406552-8



- MATERIAL:
 HOUSING - HIGH TEMPERATURE THERMOPLASTIC, BLACK, UL94V-0.
 TERMINALS - 0.36[.014] THICK PHOS BRONZE PLATED WITH 3.81µm[.000150] MINIMUM THICK MATTE TIN IN SOLDER AREA. 1.27µm[.000050] MINIMUM GOLD IN LOCALIZED PLATE AREA. ENTIRE TERMINAL PLATED WITH 1.27µm[.000050] MINIMUM THICK NICKEL.
 SHIELD - 0.196[.0077] THICK COPPER ZINC ALLOY PREPLATED WITH 1.27µm[.000050] MINIMUM SATIN NICKEL WITH 2.03µm[.000080] MINIMUM TIN POST DIPPED ON PCB GROUND TABS.
 LIGHT EMITTING DIODE (LED) - DIFFUSED EPOXY LENS, 0.51 x 0.51[.020 x .020] CARBON STEEL WIREFRAME LEADS PREPLATED WITH 8.89 µm THICK Sn/Cu OVER 2.03 µm THICK Ag OVER 1.02 µm THICK Cu OVER 3.56 µm THICK Ni OVER 1.02 µm THICK Cu UNDERPLATE
- JACK CAVITY CONFORMS TO FCC RULES AND REGULATIONS PART 68, SUBPART F.
- SUGGESTED PANEL OPENING DIMENSIONS.
- SUGGESTED CLEARANCE BETWEEN TOP OF CONNECTOR AND TOP PANEL OPENING.
- SEE TABLE FOR COLOR OF LEDS AND NUMBER REQUIRED.
- THIS MODULAR JACK WITH INTEGRATED LED IS NOT IR REFLOW SOLDERING PROCESS COMPATIBLE.
- CONTACT AREA LUBRICATED WITH BELLCORE APPROVED LUBRICANT. TECHNICAL REFERENCE GR-1217-CORE, ISSUE 1. NOVEMBER 1995. ONLY FOR 1-5406552-7
- THE PART IS PRELIMINARY
- OBsolete PARTS: OBSOLETE CIS STREAMLINING PER D.RENAUD/D.SINISI

| INDICATOR COLOR FOR EACH HOUSING | INDICATOR COLOR FOR EACH HOUSING | INDICATOR COLOR FOR EACH HOUSING | PART NUMBER |
|----------------------------------|----------------------------------|----------------------------------|-------------|
| .162 | YELLOW | GREEN | 2-5406552-1 |
| .132 | GREEN/YELLOW | GREEN/YELLOW | 2-5406552-0 |
| .146 | RED/GREEN | RED/GREEN | 1-5406552-9 |
| .100 | RED/YELLOW | RED/GREEN | 1-5406552-8 |
| .100 | GREEN | - | 1-5406552-7 |
| .126 | RED/GREEN | RED/GREEN | 1-5406552-6 |
| .100 | SEE VIEW A (SHEET 2) | SEE VIEW A (SHEET 2) | 1-5406552-5 |
| .100 | RED | GREEN | 1-5406552-4 |
| .100 | GREEN/RED | GREEN/RED | 1-5406552-3 |
| .120 | YELLOW | GREEN | 1-5406552-1 |
| .100 | GREEN/ORANGE | YELLOW | 5406552-9 |
| .100 | GREEN/YELLOW | GREEN/YELLOW | 5406552-8 |
| .100 | GREEN/ORANGE | GREEN/ORANGE | 5406552-7 |
| OBsolete | .100 | YELLOW | 5406552-6 |
| .100 | GREEN | GREEN | 5406552-5 |
| OBsolete | .100 | YELLOW | 5406552-4 |
| .100 | - | GREEN | 5406552-2 |
| .100 | YELLOW | GREEN | 5406552-1 |
| DIM A | POSITION 2 | POSITION 1 | |
| SOLDERTAIL LENGTH | INDICATOR COLOR FOR EACH HOUSING | | PART NUMBER |

THIS DRAWING IS A CONTROLLED DOCUMENT.

DIMENSIONS: mm

TOLERANCES UNLESS OTHERWISE SPECIFIED:

| | | |
|--------|---|------------|
| 0. PLC | ± | - |
| 1. PLC | ± | - |
| 2. PLC | ± | 0.25[.01] |
| 3. PLC | ± | 0.13[.005] |
| 4. PLC | ± | - |
| ANGLES | ± | - |

MATERIAL: SEE NOTE 1

FINISH: SEE NOTE 1

APPROVED: T. SPRINKLE / L.A. MAYER (10MAY2005)

CHK: J. WESTMAN (10MAY2005)

APPROVED: S. FLICKINGER (10MAY2005)

NAME: INVERTED MODULAR JACK ASSEMBLY, 1X4, SHIELDED, PANEL GROUND, WITH LED

PRODUCT SPEC: 108-1163-4

APPLICATION SPEC: 114-2154

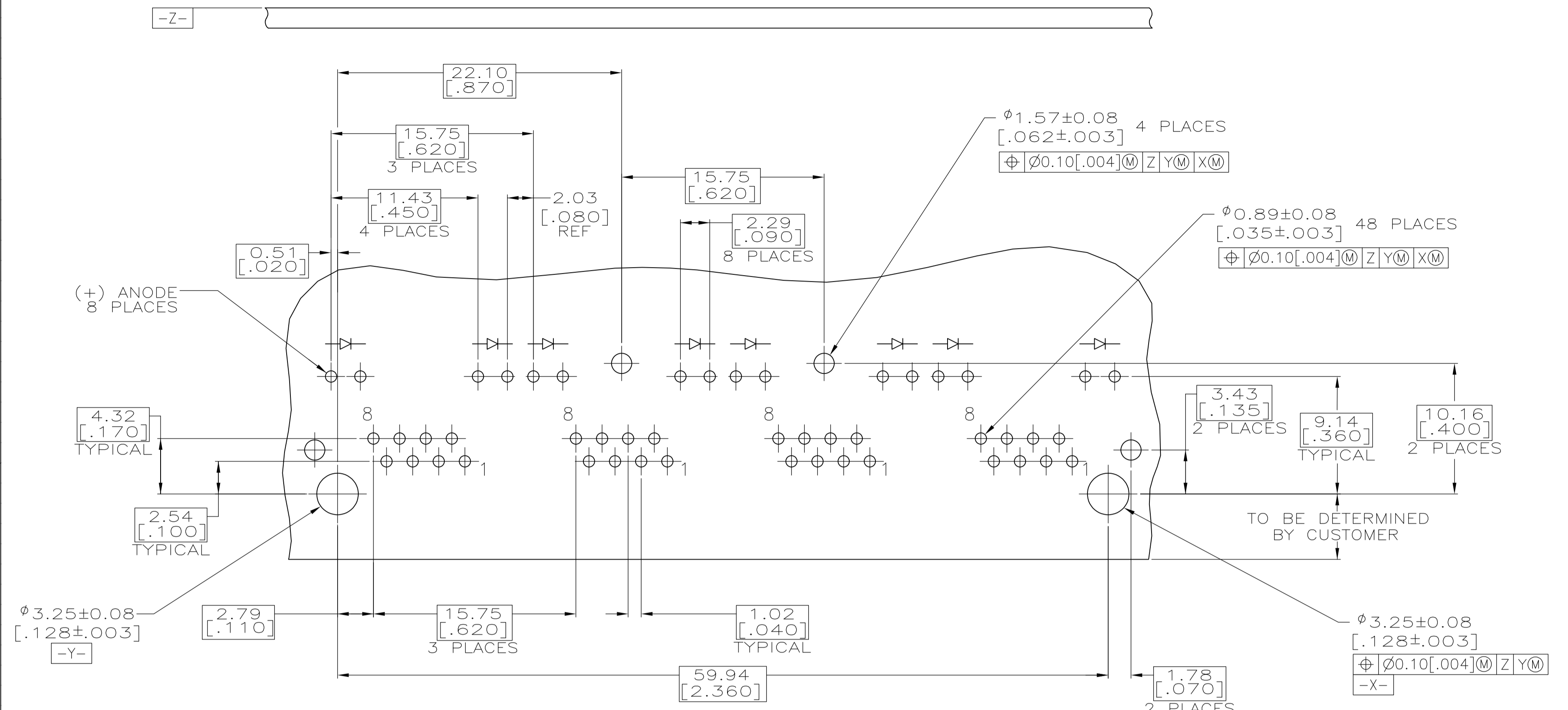
SIZE: A1

SCALE: 4:1

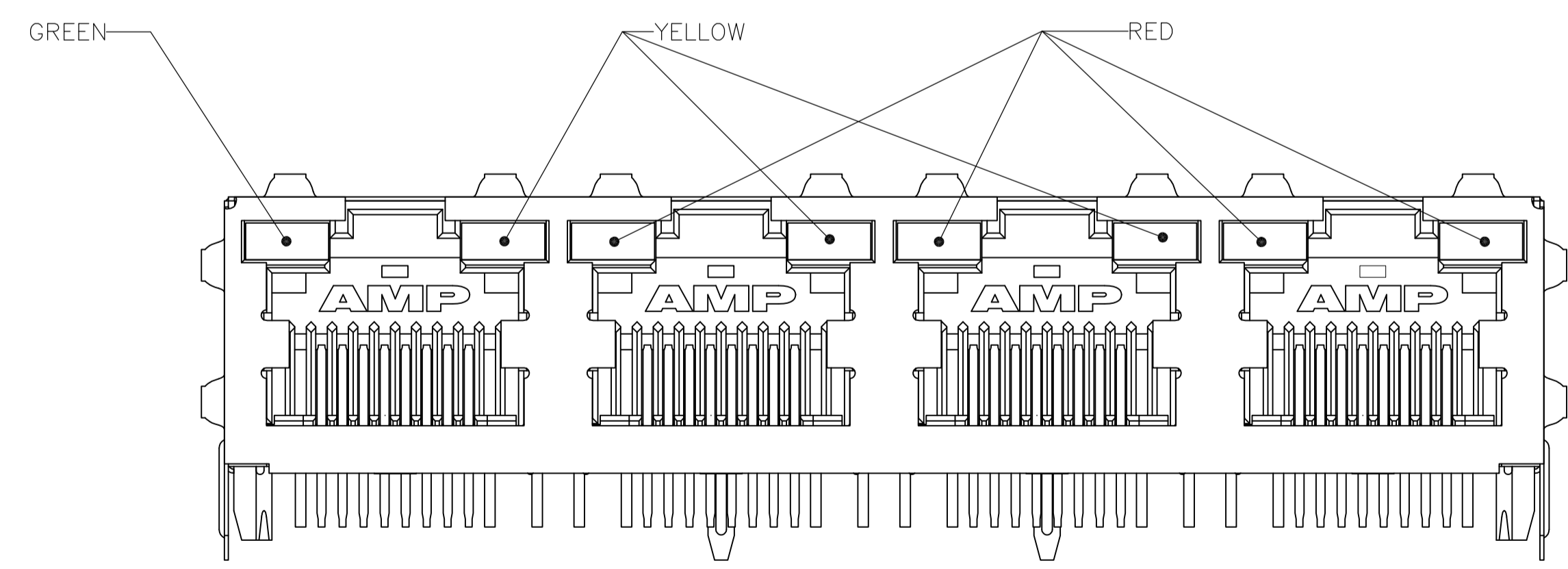
SHEET: 1 OF 2

REV: F1

CUSTOMER DRAWING



SUGGESTED PRINTED CIRCUIT BOARD LAYOUT
(COMPONENT SIDE)



VIEW A
(1-5406552-5 ONLY)

| | | | | | |
|--|--|--------------------------------------|--|---|--|
| THIS DRAWING IS A CONTROLLED DOCUMENT. | | DIN T. SPRINKLE/L.A. MAYER 10MAY2005 | | STE TE Connectivity | |
| DIMENSIONS: mm | | CHK J. WESTMAN 10MAY2005 | | NAME | |
| TOLERANCES UNLESS OTHERWISE SPECIFIED: | | APVD S. FLICKINGER 10MAY2005 | | INVERTED MODULAR JACK ASSEMBLY, 1X4, SHIELDED, PANEL GROUND, WITH LED | |
| 0. PLC ± - | | PRODUCT SPEC | | SIZE | |
| 1. PLC ± - | | 108-1163-4 | | CAGE CODE | |
| 2. PLC ± 0.25(.01) | | APPLICATION SPEC | | DRAWING NO | |
| 3. PLC ± 0.13(.005) | | 114-2154 | | A1 00779 | |
| 4. PLC ± - | | WEIGHT | | C=5406552 | |
| ANGLES ± - | | MATERIAL SEE NOTE 1 | | FINISH SEE NOTE 1 | |
| | | CUSTOMER DRAWING | | SCALE 4:1 SHEET 2 OF 2 REV F1 | |