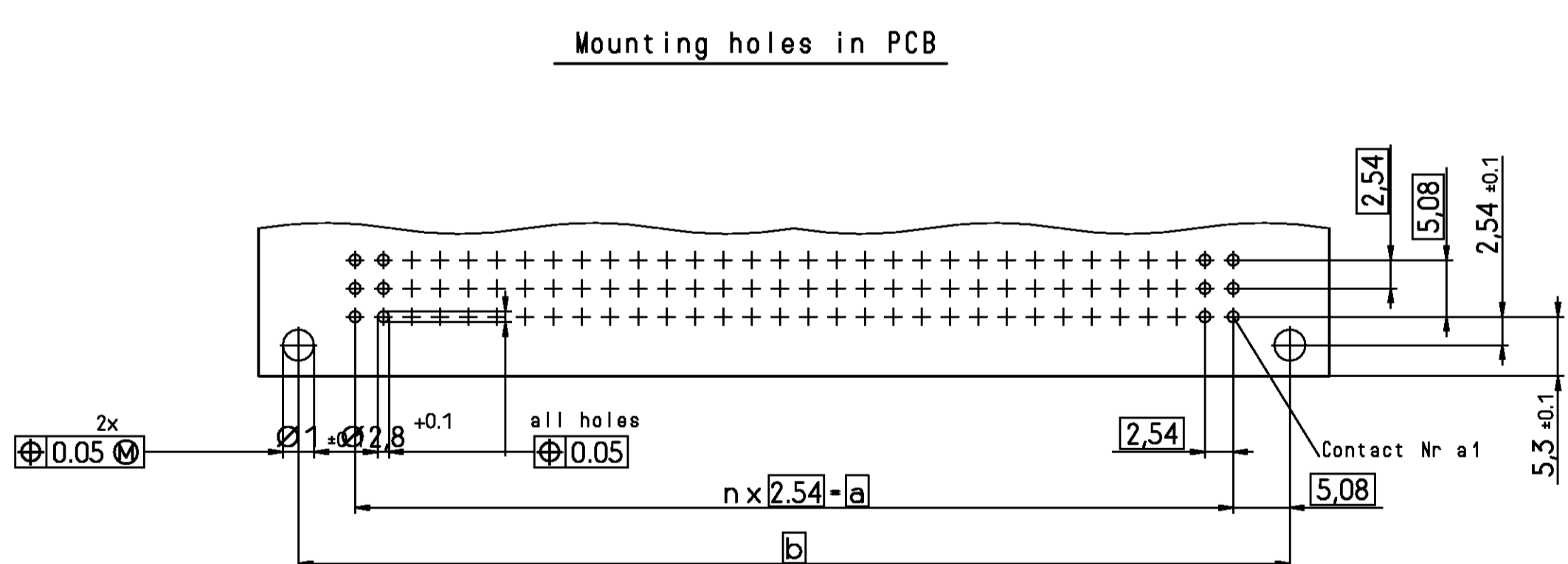
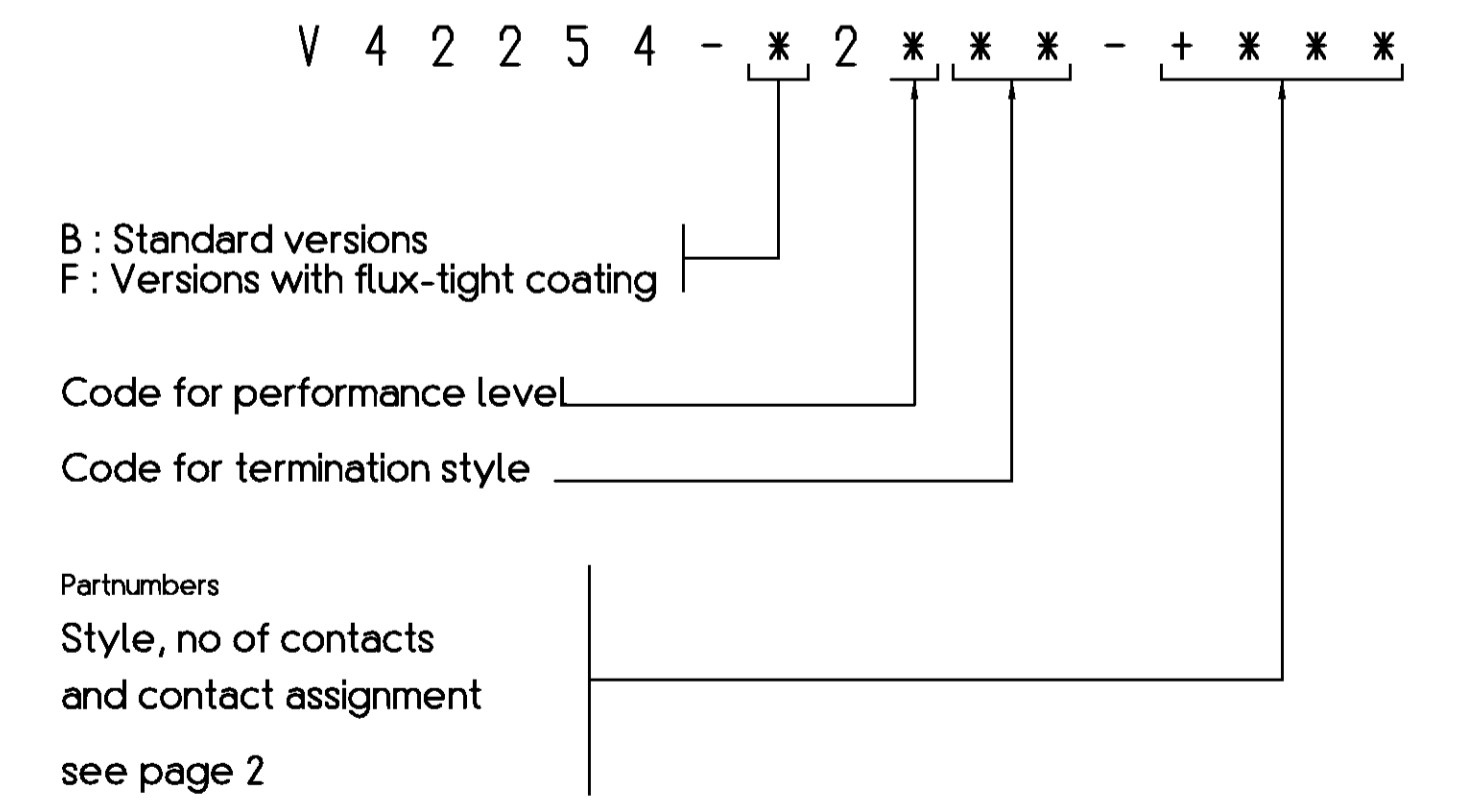
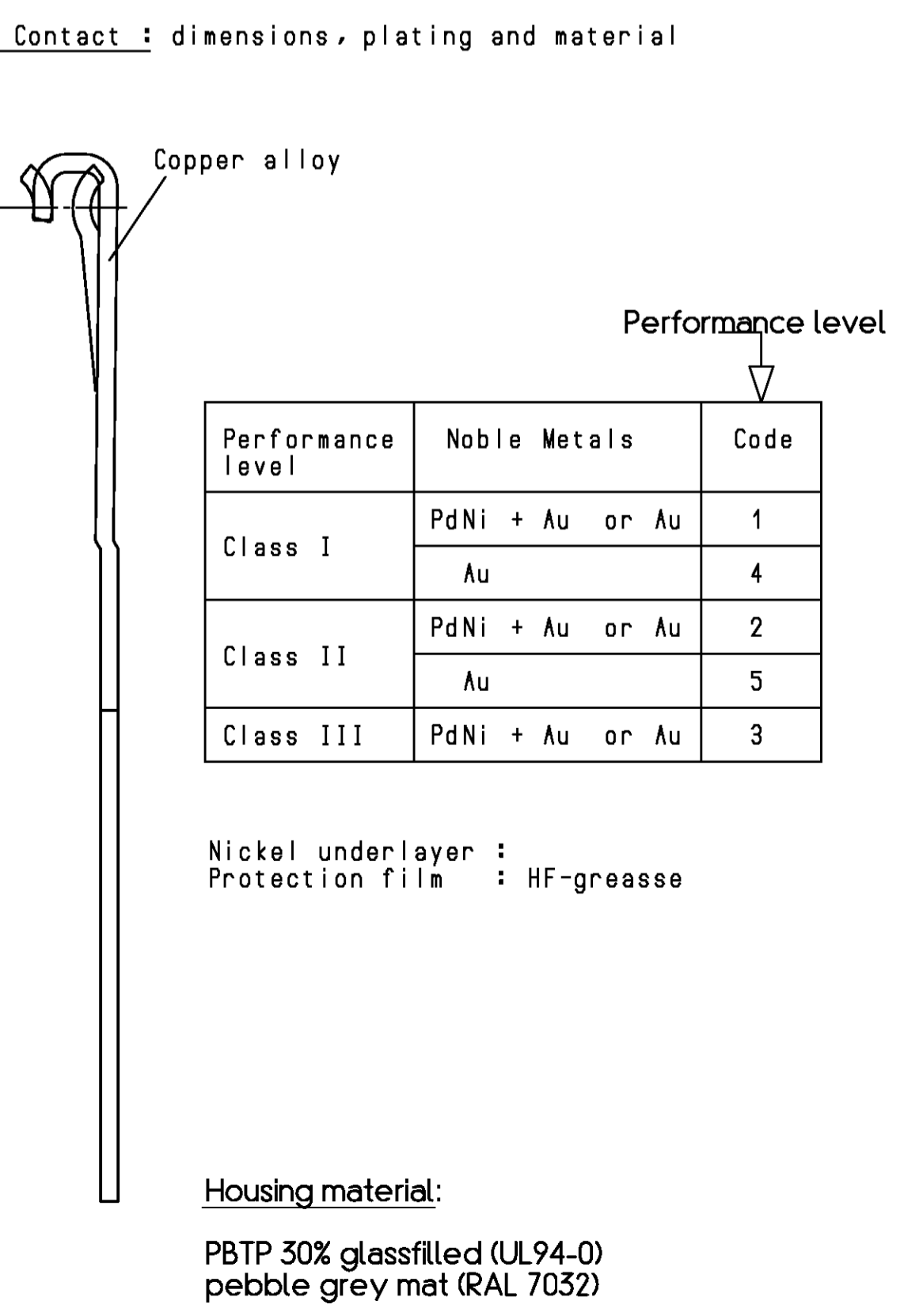
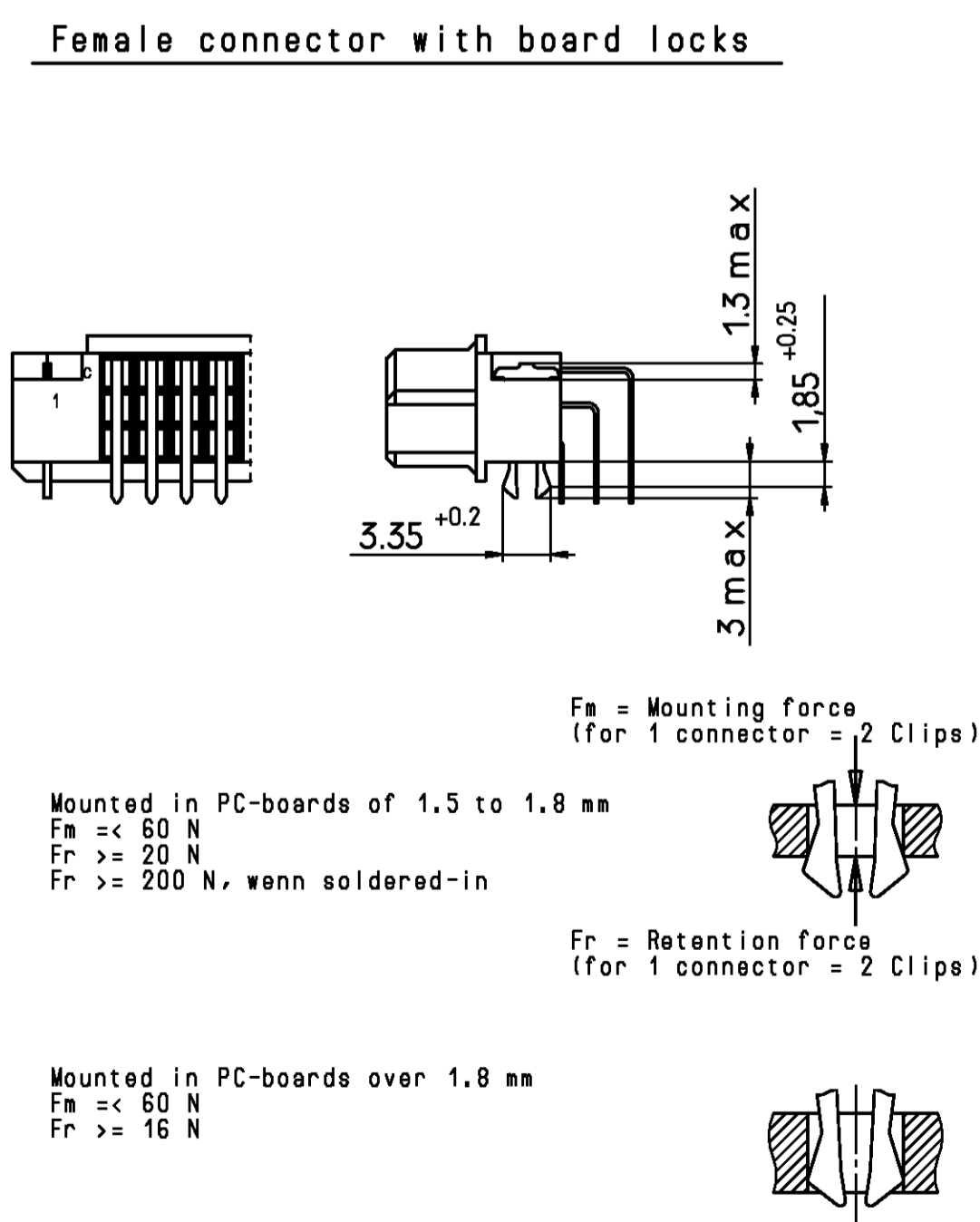


Terminations with galvanic Sn plating
 1) Cutting edges not plated



| Type | n | a | b |
|---------|----|-------|-------|
| Q R | 31 | 78.74 | 88.9 |
| Q/2 R/2 | 15 | 38.10 | 48.26 |
| Q/3 R/3 | 9 | 22.86 | 33.02 |



THIS INFORMATION IS CONFIDENTIAL AND PROPRIETARY TO TYCO ELECTRONICS CORPORATION AND ITS WORLDWIDE SUBSIDIARIES AND AFFILIATES. IT MAY NOT BE DISCLOSED TO ANYONE, OTHER THAN TYCO ELECTRONICS CORPORATION, WITHOUT WRITTEN AUTHORIZATION FROM TYCO ELECTRONICS CORPORATION, HARRISBURG, PENNSYLVANIA USA.

| | | | | | |
|-------------------------|--|--|--|---|--|
| tyco Electronics | | TYCO ELECTRONICS CORPORATION OOSTKAMP - BELGIUM | | SCALE 1:1 WEIGHT | |
| DATE 13.02.89 | | NAME Cuweller | | PART NAME Receptacle Assembly Eurocard Types Q, R and short versions. | |
| REV. 1 | | APP. Customer Drawing N. C 3393656-1 | | PART NO. V42254-B2***-R***-7626 | |
| REV. 2 | | APP. Customer Drawing N. C 3393656-1 | | SHT. 1+ OF 2 | |

THIS INFORMATION IS CONFIDENTIAL AND PROPRIETARY TO TYCO ELECTRONICS CORPORATION AND ITS WORLDWIDE SUBSIDIARIES AND AFFILIATES. IT MAY NOT BE DISCLOSED TO ANYONE, OTHER THAN TYCO ELECTRONICS PERSONNEL, WITHOUT WRITTEN AUTHORIZATION FROM TYCO ELECTRONICS CORPORATION, HARRISBURG PENNSYLVANIA USA

PROPRIETARY:

| | | | | | | | |
|---|---|---|---|---|---|---|---|
| 1 | 2 | 3 | 4 | 5 | 6 | 7 | 8 |
| A | | | | | | | A |
| B | | | | | | | B |
| C | | | | | | | C |
| D | | | | | | | D |
| E | | | | | | | E |
| F | | | | | | | F |
| 1 | 2 | 3 | 4 | 5 | 6 | 7 | 8 |

| Product description code | Tyco Part Number | Style & Nr of Pos | Loaded rows | Perf. level | Board Locks |
|--------------------------|------------------|-------------------|------------------------------|-------------|-------------|
| V42254-B2100-Q210 | 0-1393656-1 | Q20 | every row , every pitch | 1 | Y |
| V42254-B2100-Q320 | 0-1393656-2 | Q32 | every row , every pitch | 1 | N |
| V42254-B2100-R300 | 0-1393656-3 | R30 | every row , every pitch | 1 | N |
| V42254-B2100-R303 | 0-1393656-4 | R30 | row a+c , every pitch | 1 | N |
| V42254-B2100-R480 | 0-1393656-5 | R48 | every row , every pitch | 1 | N |
| V42254-B2100-R913 | 0-1393656-6 | R96 | row a+c , every pitch | 1 | Y |
| V42254-B2100-R960 | 0-1393656-7 | R96 | every row , every pitch | 1 | N |
| V42254-B2100-R960H | 0-1393656-8 | R96 | every row , every pitch | 1 | N |
| V42254-B2100-R961 | 0-1393656-9 | R96 | row a , every pitch | 1 | N |
| V42254-B2100-R963 | 1-1393656-1 | R96 | row a+c , every pitch | 1 | N |
| V42254-B2100-R968 | 1-1393656-2 | R96 | row a+c , every even pitch | 1 | N |
| V42254-B2200-Q200 | 1-1393656-4 | Q20 | every row , every pitch | 2 | N |
| V42254-B2200-Q310 | 1-1393656-5 | Q32 | every row , every pitch | 2 | Y |
| V42254-B2200-Q320 | 1-1393656-6 | Q32 | every row , every pitch | 2 | N |
| V42254-B2200-Q610 | 1-1393656-7 | Q64 | every row , every pitch | 2 | Y |
| V42254-B2200-Q640 | 1-1393656-8 | Q64 | every row , every pitch | 2 | N |
| V42254-B2200-R300 | 1-1393656-9 | R30 | every row , every pitch | 2 | N |
| V42254-B2200-R300N | 2-1393656-0 | R30 | every row , every pitch | 2 | N |
| V42254-B2200-R303 | 2-1393656-1 | R30 | row a+c , every pitch | 2 | N |
| V42254-B2200-R310 | 2-1393656-2 | R30 | every row , every pitch | 2 | Y |
| V42254-B2200-R313 | 2-1393656-4 | R30 | row a+c , every pitch | 2 | Y |
| V42254-B2200-R410 | 2-1393656-5 | R48 | every row , every pitch | 2 | Y |
| V42254-B2200-R413 | 2-1393656-6 | R48 | row a+c , every pitch | 2 | Y |
| V42254-B2200-R480 | 2-1393656-7 | R48 | every row , every pitch | 2 | N |
| V42254-B2200-R483 | 2-1393656-8 | R48 | row a+c , every pitch | 2 | N |
| V42254-B2200-R910 | 2-1393656-9 | R96 | every row , every pitch | 2 | Y |
| V42254-B2200-R913 | 3-1393656-0 | R96 | row a+c , every pitch | 2 | Y |
| V42254-B2200-R913P | 3-1393656-1 | R96 | row a+c , every pitch | 2 | Y |
| V42254-B2200-R918 | 3-1393656-3 | R96 | row a+c , every even pitch | 2 | Y |
| V42254-B2200-R960 | 3-1393656-4 | R96 | every row , every pitch | 2 | N |
| V42254-B2200-R960N | 3-1393656-5 | R96 | every row , every pitch | 2 | N |
| V42254-B2200-R963 | 3-1393656-6 | R96 | row a+c , every pitch | 2 | N |
| V42254-B2200-R963P | 3-1393656-7 | R96 | row a+c , every pitch | 2 | N |
| V42254-B2200-R965 | 3-1393656-8 | R96 | every row , every even pitch | 2 | N |
| V42254-B2200-R968 | 3-1393656-9 | R96 | row a+c , every even pitch | 2 | N |
| V42254-B2200-R968P | 4-1393656-0 | R96 | row a+c , every even pitch | 2 | N |
| V42254-F2200-R480 | 4-1393656-6 | R48 | every row , every pitch | 2 | N |
| V42254-F2200-R960 | 4-1393656-7 | R96 | every row , every pitch | 2 | N |

4)

1)

2)

1)

2) OBSOLETE

2)

3)

3)

- 4) According BT 222 level 1.
- 3) Connector with flux thight coating.
- 2) Connector with positioning part on solder posts.
- 1) No company name marked on the connector.

Active part numbers. Contact Tyco Electronics for other configuration availability

| | | | | | | | |
|--------------------|--|------------------------------|--|---------------------------------------|--|------------------------------|--|
| tyco | | TYCO ELECTRONICS CORPORATION | | SCALE | | WEIGHT | |
| Electronics | | OOSTKAMP - BELGIUM | | DIMENSIONS IN MM | | MATERIAL | |
| | | | | DATE 13.02.89 | | PART NAME | |
| | | | | NAME Cuvelier | | Receptacle Assembly Eurocard | |
| | | | | DEP. PD&E Com | | | |
| | | | | TOLERANCE UNLESS SPECIFIED OTHERWISE | | PART NO. | |
| | | | | | | V42254-B2***-R***-*-7626 | |
| REV. CHANGE ORDER | | DATE | | APP. Customer Drawing Nr. C 1393656-1 | | SHT. 2- OF 2 | |