

SMP Interconnect Series



SMP Interconnect Series

INTRODUCTION

Carlisle Interconnect Technologies launched the SMP “push-on” connector product line two decades ago to facilitate dense packaging within RF/Microwave systems.

The SMP interface enables design engineers to increase design performance and complexity while also improving form factor. The SMP interconnect series relies on a floating female-to-female adapter (commonly referred to as a bullet) to enable SMP male and PCB connector-equipped boards to be stacked. This durable construction gives this product line the ability to:

- » Tolerate radial and axial misalignment
- » Withstand multiple engagement/disengagement cycles without degradation in electrical performance

The success of the SMP product line has spurred the development and commercialization of other blindmate interconnect systems (SMPM, TMP®, and SMPS) to facilitate rapid assembly and testing for the gamut of military and commercial RF/Microwave applications.

MATERIALS AND FINISH (PCB CONNECTORS)

Metal	Specifications
BeCu (Beryllium Copper)	ASTM B196 and/or ASTM B197
Brass	ASTM B36, B121, B16, B16M
Stainless Steel	ASTM A484/ A582 or A555/581
Iron-Nickel-Cobalt	ASTM F-15
Dielectric	Specifications
Virgin PTFE Fluorocarbon	ASTM D 1710 and ASTM D 1457
Polyamide-imide	ASTM D5204 Group 2 Class 1
Glass	Corning 7070 or Equivalent
Finish	Specifications
Gold (75u in. Typ)	ASTM B488 Type 1, Class 1.25
Nickel (100u in. Typ)	SAE AMS-QQ-N-290
Passivation	ASTM A967

FEATURES

- » DC – 40 GHz frequency range
- » 50 Ω impedance
- » Blindmate configuration
- » Industry standard per MIL-STD-348
- » MIL-PRF-39012 compliant
- » Ability to withstand radial/axial misalignment
- » Board-mount, field-replaceable, bullets, hermetic, and cable connector configurations
- » Custom connectors available

SPECIFICATIONS

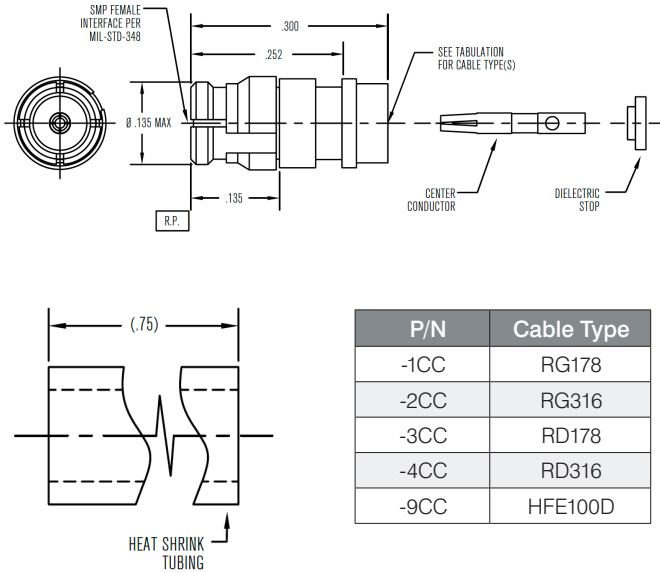
Parameter	Specifications	
Impedance	50 Ω	
Frequency Range	DC – 40 GHz	
VSWR	DC – 26 GHz: 1.15:1 (max) 26 – 40 GHz: 1.40:1 (max)	
Insertion Loss	0.1 x √ f(GHz)	
DWV @ Sea Level	500 Vrms	
Insulation Resistance	5000 MΩ (min)	
RF High Pot	325 Vrms @ 5 MHz	
Force to Engage	Full Detent	15 lb. typical
	Limited Detent	7 lb. typical
	Smooth Bore	2 lb. typical
Force to Disengage	Full Detent	5 lb. typical
	Limited Detent	3 lb. typical
	Smooth Bore	0.5 lb. typical
Radial Misalignment	+/- .020**	
Axial Misalignment	.10"	
Temperature Range	-55 °C to 165 °C	
Thermal Shock	MIL-STD-202, Method 107, Cond B	
Moisture Resistance	MIL-STD-202, Method 106, except step 7b	
Corrosion	MIL-STD-202, Method 101, Cond B	
Vibration	MIL-STD-202, Method 204, Cond D	
Shock	MIL-STD-202, Method 213, Cond I	

*When mated to a Catcher's Mitt interface

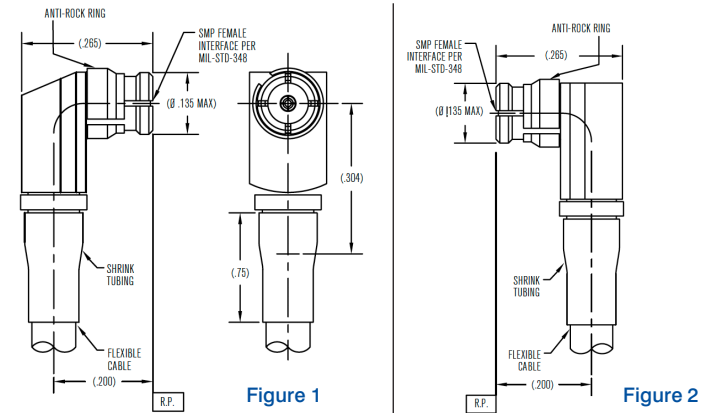
SMP Interconnect Series Configurations

CABLE CONNECTORS: FLEXIBLE CABLES

SMP Female Straight Connector for Flexible Cables/P657

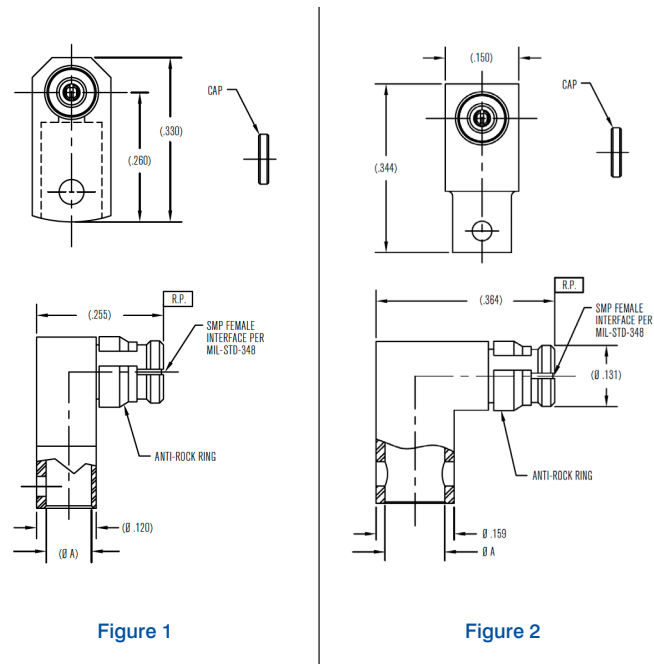


SMP Female Right-Angle Connector for Flexible Cables, 26.5 GHz/P601

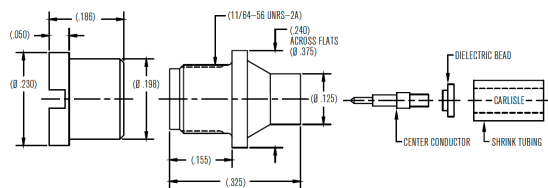
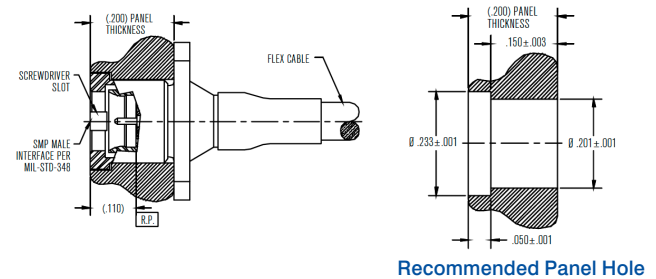


P/N	Cable Type	Figure
-9CC	HFE100D	1
-8CC	HGE055D	2

SMP Female Right-Angle Connector for Flexible Cables, 18 GHz/P600



SMP Male Straight Panel-Mount Connector for Flexible Cables/P663



P/N	Cable Type	Interface	P/N	Cable Type	Interface
-1CC	RG178 (or Equivalent)	Catcher's Mitt	-7CC	RG316 (Or Equivalent)	Limited Detent
-2CC	RD178 (or Equivalent)	Catcher's Mitt	-8CC	RD316 (or Equivalent)	Limited Detent
-3CC	RG316 (or Equivalent)	Catcher's Mitt	-9CC	RG178 (or Equivalent)	Full Detent
-4CC	RD316 (or Equivalent)	Catcher's Mitt	-10CC	RD178 (or Equivalent)	Full Detent
-5CC	RG178 (or Equivalent)	Limited Detent	-11CC	RG316 (or Equivalent)	Full Detent
-6CC	RD178 (or Equivalent)	Limited Detent	-12CC	RD316 (or Equivalent)	Full Detent

P/N	Ø A	Cable Type	Figure
-9CC	.090"	HFE100D	1
-4CC	.100"	RD316	2

SMP Interconnect Series Configurations Cont'd.

CABLE CONNECTORS: SEMI-RIGID & SEMI-FLEX® CABLES

SMP Female Straight Connector for Semi-Rigid and Semi-Flex Cables/P651

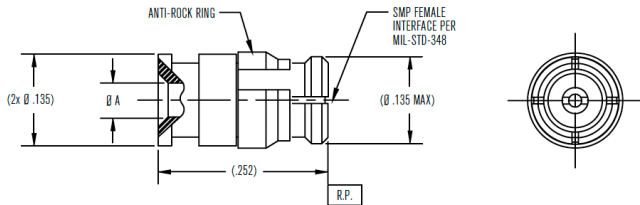


Figure 1

SMP Female Float-Mount Connector for Semi-Rigid and Semi-Flex Cables/P658 (Cont'd.)

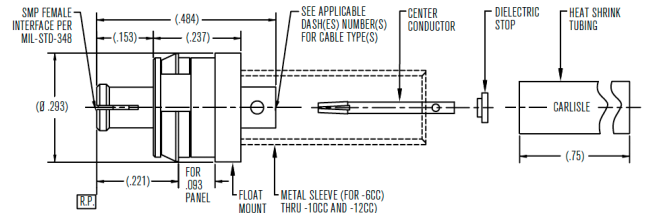


Figure 2

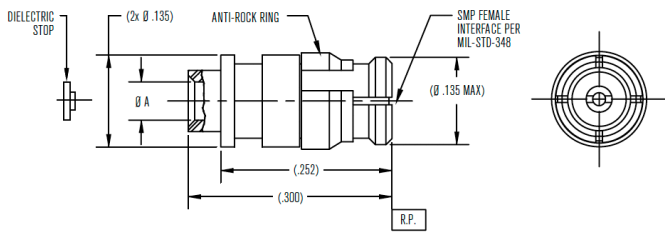
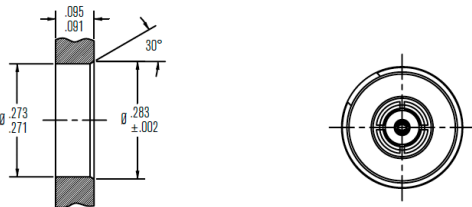


Figure 2

P/N	Cable Type	Figure
-1CC	UFF092A	1
-2CC	RG316	
-3CC	HFE100D	
-4CC	HFE100D	
-5CC	Ø .085" Semi-Rigid/Semi-Flex	2
-6CC	UFF092A	
-7CC	RG316	
-8CC	HFE100D	
-9CC	HFE100D	
-10CC	Ø .085" Semi-Rigid/Semi-Flex	
-11CC	Ø .047" Semi-Rigid/Semi-Flex	1
-12CC	Ø .047" Semi-Rigid/Semi-Flex	2

P/N	Cable Type	Ø A Min.	Figure
-1CC	Ø .047" Semi-Rigid/Semi-Flex	.049"	2
-2CC	Ø .085" Semi-Rigid/Semi-Flex	.085"	1
-3CC	Ø .047" Low-Loss	.047"	2
-4CC	Ø .085" Low-Loss	.085"	1

SMP Female Float-Mount Connector for Semi-Rigid and Semi-Flex Cables/P658



Recommended Mounting Panel

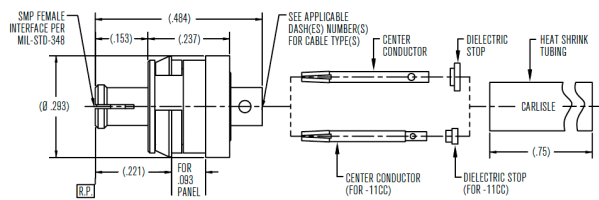
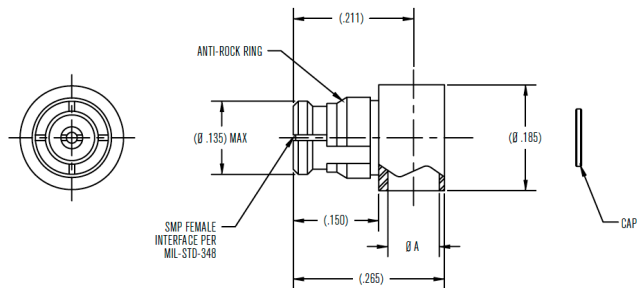


Figure 1

SMP Female Right-Angle for Semi-Rigid and Semi-Flex Cable 12 GHz/P652

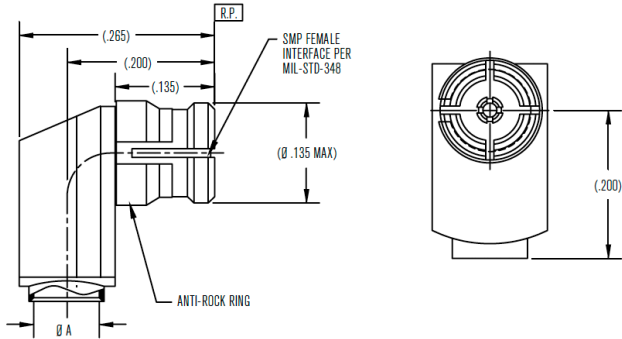


P/N	Ø A Min.	Cable Type
-1CC	.049"	.047" Semi-Rigid/Semi-Flex
-2CC	.088"	.085" Semi-Rigid/Semi-Flex
-3CC	.049"	.047" Low-Loss
-4CC	.088"	.085" Low-Loss

SMP Interconnect Series Configurations Cont'd.

CABLE CONNECTORS: SEMI-RIGID & SEMI-FLEX® CABLES (CONT'D.)

SMP Female Right-Angle for Semi-Rigid and Semi-Flex Cables, 26.5 GHz/P655



P/N	Ø A Min.	Cable Type
-1CC	.049"	.047" Semi-Rigid/Semi-Flex
-2CC	.088"	.085" Semi-Rigid/Semi-Flex
-3CC	.049"	.047" Low-Loss
-4CC	.088"	.085" Low-Loss

SMP Female Right-Angle for Semi-Rigid and Semi-Flex Cables, 18 GHz/P659

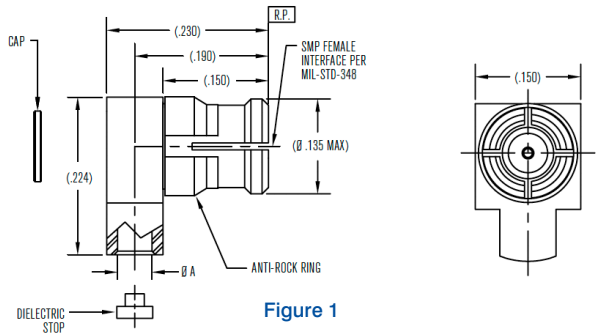


Figure 1

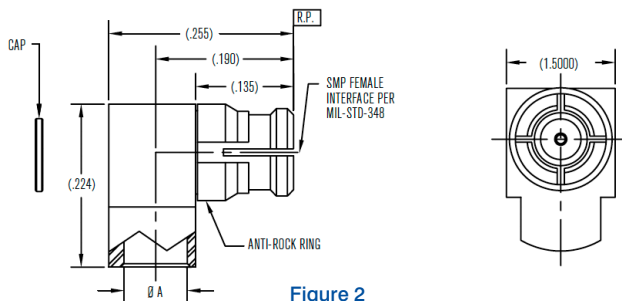
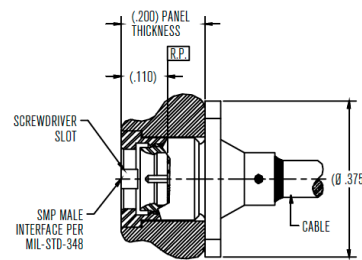
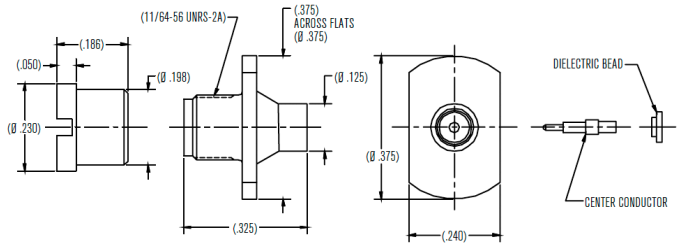


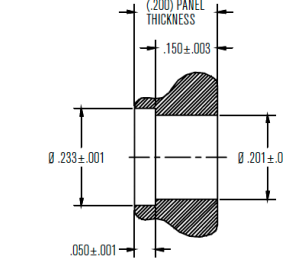
Figure 2

P/N	Ø A Min.	Cable Type	Figure
-1CC	.049"	.047" Semi-Rigid/Semi-Flex	1
-2CC	.088"	.085" Semi-Rigid/Semi-Flex	2
-3CC	.049"	.047" Low-Loss	1
-4CC	.088"	.085" Low-Loss	2

SMP Male Bulkhead Panel-Mount Connector for Semi-Rigid and Semi-Flex Cables/P662



Installed View



Recommended Panel Hole

P/N	Cable Type	Interface
-1CC	.047" Semi-Rigid/Semi-Flex	Catcher's Mitt
-2CC	.085" Semi-Rigid/Semi-Flex	Catcher's Mitt
-3CC	.047" Low-Loss	Catcher's Mitt
-4CC	.085" Low-Loss	Catcher's Mitt
-5CC	.047" Semi-Rigid/Semi-Flex	Full Detent
-6CC	.085" Semi-Rigid/Semi-Flex	Full Detent
-7CC	.047" Low-Loss	Full Detent
-8CC	.085" Low-Loss	Full Detent
-9CC	.047" Semi-Rigid/Semi-Flex	Limited Detent
-10CC	.085" Semi-Rigid/Semi-Flex	Limited Detent
-11CC	.047" Low-Loss	Limited Detent
-12CC	.085" Low-Loss	Limited Detent
-13CC	.085" Semi-Rigid/Semi-Flex	Limited Detent/Catcher's Mitt

SMP Interconnect Series Configurations Cont'd.

PCB CONNECTORS: THROUGH-HOLE BOARD-MOUNT

SMP Male PCB-Mount to a Straight Termination/P654

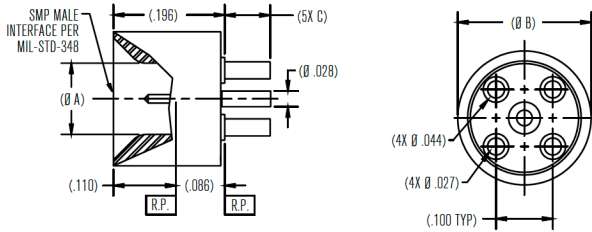


Figure 1

SMP Male Straight PCB-Mount — Square Body/P603

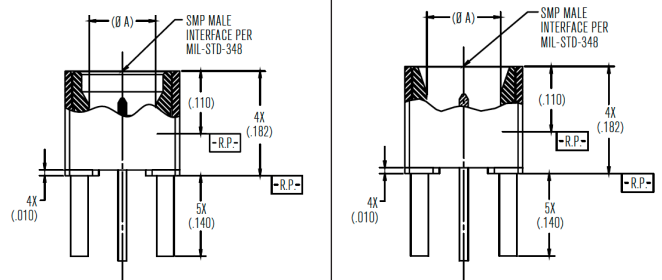


Figure 1

Figure 2

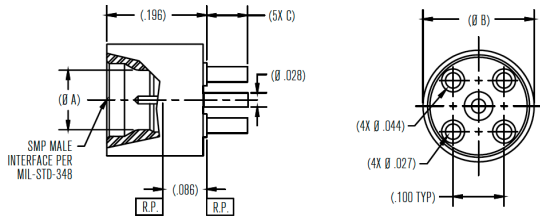
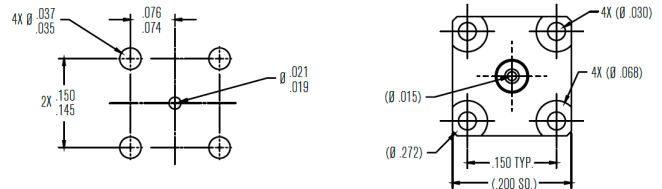
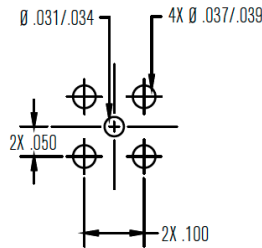


Figure 2



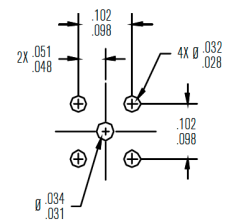
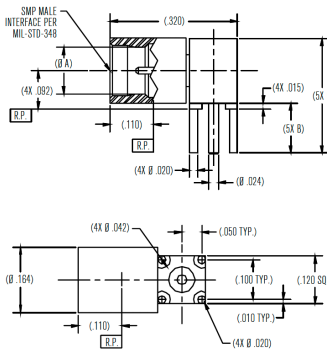
Recommended Mounting Hole Pattern



Recommended Mounting Hole Pattern

P/N	Interface	(Ø A)	Figure
-1CC	Full Detent	(.116")	1
-2CC	Limited Detent	(.120")	1
-3CC	Smooth Bore	(.125")	1
-4CC	Catcher's Mitt	(.125")	2

SMP Male Right-Angle PCB-Mount/P646



Recommended Mounting Hole Pattern

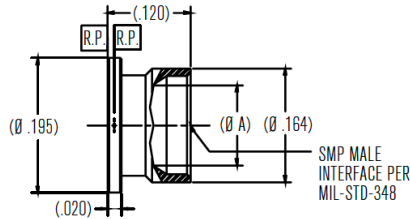
P/N	Interface	(Ø A)	(Ø B)	(C)	Figure
-1CC	Limited Detent	(.120")	(.218")	(.079")	2
-2CC	Full Detent	(.116")	(.218")	(.079")	2
-3CC	Smooth Bore	(.125")	(.218")	(.079")	2
-4CC	Catcher's Mitt	(.125")	(.235")	(.079")	1
-5CC	Full Detent	(.116")	(.218")	(.100")	2
-6CC	Limited Detent	(.120")	(.218")	(.100")	2
-7CC	Smooth Bore	(.125")	(.218")	(.100")	2
-8CC	Catcher's Mitt	(.125")	(.235")	(.100")	1
-9CC	Full Detent	(.116")	(.218")	(.140")	2
-10CC	Limited Detent	(.120")	(.218")	(.140")	2
-11CC	Smooth Bore	(.125")	(.218")	(.140")	2
-12CC	Catcher's Mitt	(.125")	(.235")	(.140")	1

P/N	Interface	(Ø A)	(B)	(C)
-1CC	Full Detent	(.116")	(.125")	(.287")
-2CC	Full Detent	(.116")	(.115")	(.297")
-3CC	Full Detent	(.116")	(.155")	(.337")

SMP Interconnect Series Configurations Cont'd.

PCB CONNECTORS: SURFACE-MOUNT

SMP Shroud Solder-In Surface-Mount — Short Body/P677



P/N	Interface	(Ø A)
-1	Full Detent	(.116")
-2	Limited Detent	(.120")
-3	Smooth Bore	(.125")

SMP Male Straight Surface-Mount/P703

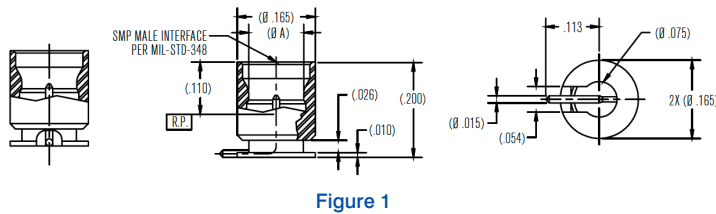


Figure 1

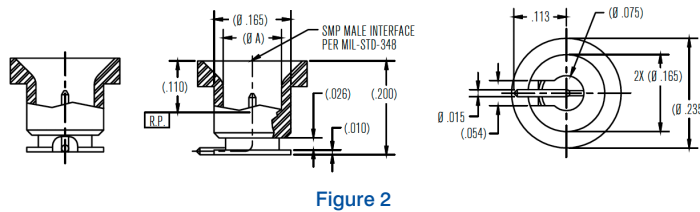
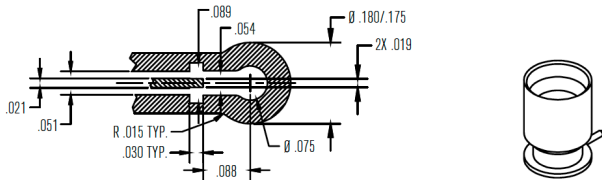


Figure 2



Mounting Hole Pattern

Dimensions shown are for Rogers 4350 PCB material. These dimensions may vary depending on PCB material used.

P/N	Interface	(Ø A)	Figure
-1CC	Full Detent	(.116")	1
-2CC	Limited Detent	(.120")	1
-3CC	Smooth Bore	(.125")	1
-4CC	Full Detent	(.116")	2



P703-1CC

SMP Male Straight to Surface-Mount with Posts/P797

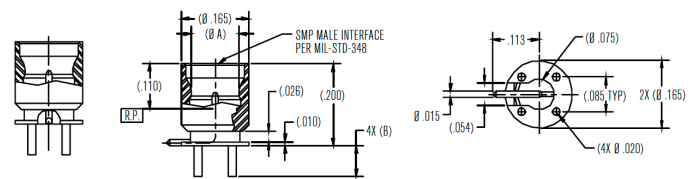


Figure 1

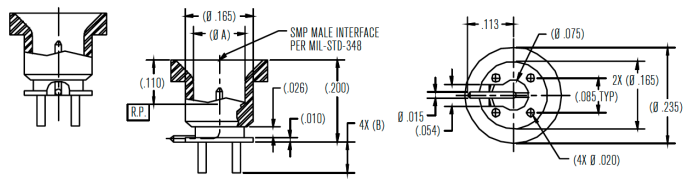
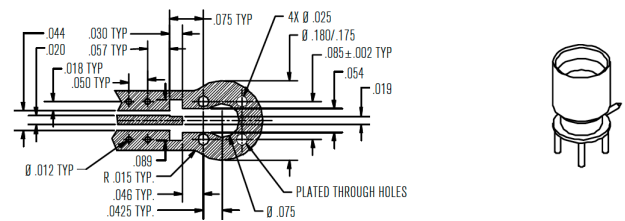


Figure 2



Mounting Hole Pattern

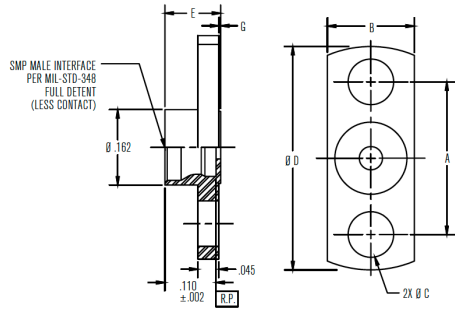
Dimensions shown are for Rogers 4350 PCB material. These dimensions may vary depending on PCB material used.

P/N	Interface	(Ø A)	(B)	Figure
-1CC	Full Detent	(.116")	(.075")	1
-2CC	Limited Detent	(.120")	(.075")	1
-3CC	Smooth Bore	(.125")	(.075")	1
-4CC	Catcher's Mitt	(.125")	(.075")	2
-5CC	Full Detent	(.116")	(.140")	1
-6CC	Limited Detent	(.120")	(.140")	1
-7CC	Smooth Bore	(.125")	(.140")	1
-8CC	Catcher's Mitt	(.125")	(.140")	2

SMP Interconnect Series Configurations Cont'd.

SHROUDS: FLANGE MOUNT

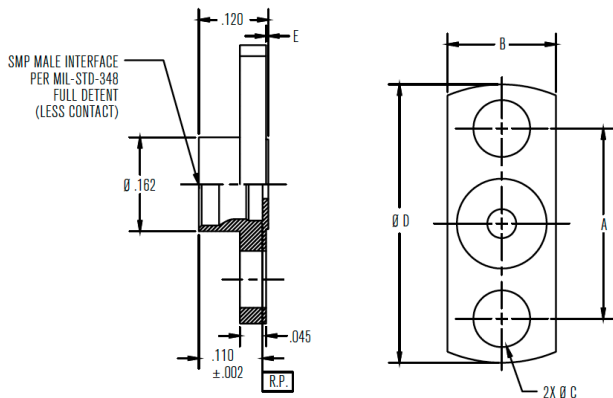
SMP Shroud — Full Detent Straight 2-Hole Flange-Mount/P670



P/N	A	B	Ø C	Ø D	E	F	G
-1SF	.328"	.187"	.098"	.480"	.120"	.045"	.004"
-2SF	.481"	.223"	.102"	.625"	.120"	.045"	.002"
-3SF	.282"	.165"	.073"	.400"	.120"	.045"	.002"
-4SF	.400"	.186"	.103"	.550"	.120"	.045"	.004"
-5SF	.282"	.165"	.073"	.400"	.120"	.045"	.005"
-6SF	.282"	.165"	*	.400"	.120"	.045"	.005"
-7SF	NR	NR	NR	.625"	.120"	.045"	.003"
-8SF	.481"	.223"	.102"	.625"	.120"	.045"	.004"
-8	.481"	.223"	.102"	.625"	.120"	.045"	.004"
-9SF	.282"	.165"	.073"	.400"	.120"	.045"	.004"
-10SF	.328"	.187"	.098"	.480"	.120"	.045"	.005"

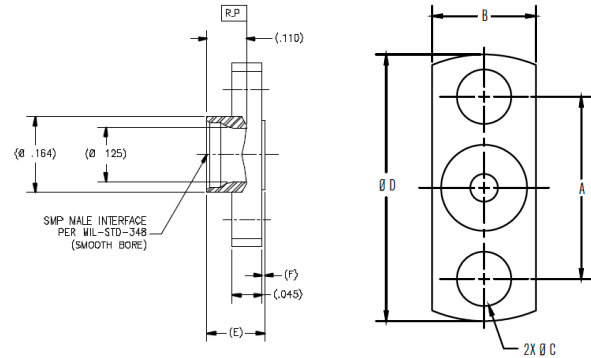
* 2X #0-80 UNF-2B X Ø .085 X 90° Countersunk

SMP Shroud — Limited Detent Straight 2-Hole Flange-Mount/P672



P/N	A	B	Ø C	Ø D	E
-1SF	.328"	.187"	.098"	.480"	.004"
-2SF	.481"	.223"	.102"	.625"	.004"
-3SF	.282"	.165"	.073"	.400"	.002"
-4SF	.400"	.186"	.103"	.550"	.004"

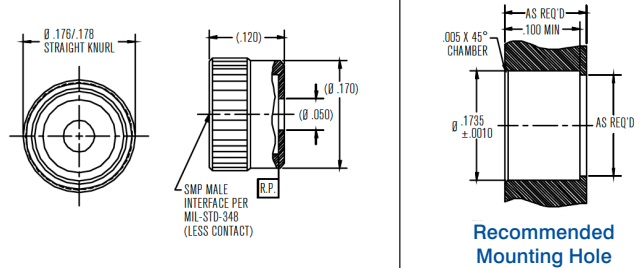
SMP Shroud — Smooth Bore Straight 2-Hole Flange-Mount/P673



P/N	A	B	Ø C	Ø D	(E)	(F)
-1SF	.328"	.187"	.098"	.480"	(.120")	(.004")
-2SF	.481"	.223"	.102"	.625"	(.120")	(.002")
-3SF	.282"	.165"	.073"	.400"	(.120")	(.002")

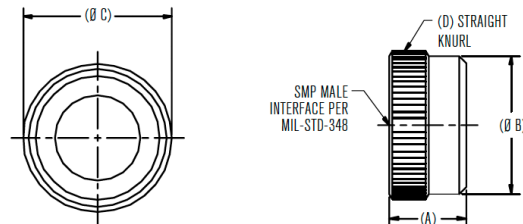
SHROUDS: PRESS-IN

SMP Press-In Shroud/P675



P/N	Interface
-1SF	Full Detent
-2SF	Limited Detent
-3SF	Smooth Bore

SMP Press-In Shroud — Full Detent/P679

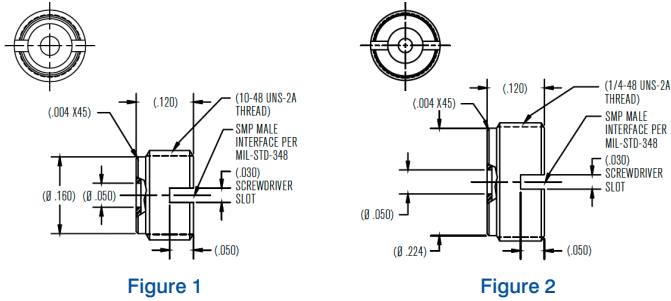


P/N	(A)	(Ø B)	(Ø C)	(D)
-1SF	(.080")	(.143")	(.154")	50P
-2SF	(.120")	(.163")	(.174")	50P
-3SF	(.115")	(.163")	(.184")	128P

SMP Interconnect Series Configurations Cont'd.

SHROUDS: THREAD IN

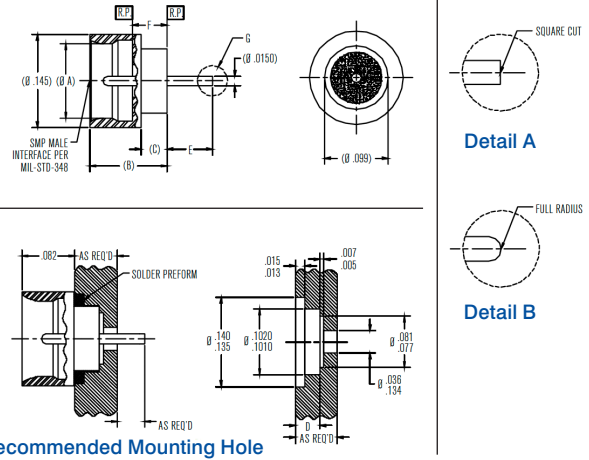
SMP Shroud — Thread-In/P676



P/N	Interface	Figure
-1SF	Full Detent	1
-2SF	Limited Detent	1
-3SF	Smooth Bore	1
-4SF	Catcher's Mitt	2

HERMETICS

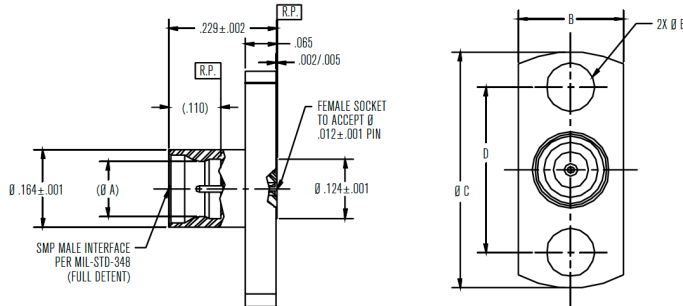
SMP Male Hermetic Shroud — Short Body/P680



Recommended Mounting Hole

SHROUDS: FIELD-REPLACEABLE

SMP Male 2-Hole Flange-Mount (Accepts 0.012" Pin)/P836



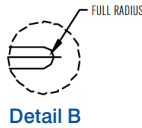
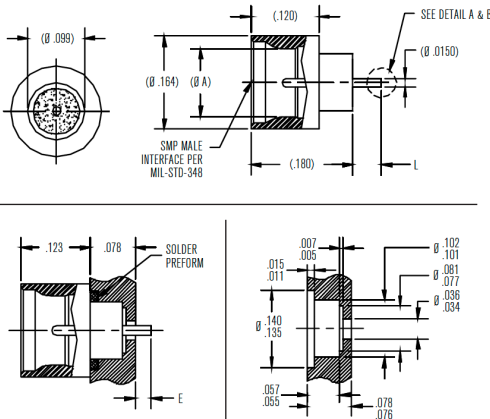
P/N	Interface	(Ø A)	B	Ø C	D	Ø E
-1CC	Full Detent	(.116")				
-1CCSF						
-2CC	Limited Detent	(.120")	.165"	.625"	.481"	.078"
-2CCSF						
-3CC	Smooth Bore	(.125")				
-3CCSF						
-4CC	Full Detent	(.116")				
-4CCSF						
-5CC	Limited Detent	(.120")	.223"	.625"	.481"	.078"
-5CCSF						
-6CC	Smooth Bore	(.125")				
-6CCSF						
-7CC	Full Detent	(.116")				
-7CCSF						
-8CC	Limited Detent	(.120")	.223"	.485"	.481"	.102"
-8CCSF						
-9CC	Smooth Bore	(.125")				
-9CCSF						

P/N	Interface	(Ø A)	(B)	(C)	D	E	F	G
-1CC	Full Detent	(.116")	(.120")	(.040")	.037/.039"	.050"	.050"	See Detail A
-2CC	Limited Detent	(.120")	(.120")	(.040")	.037/.039"	.050"	.050"	
-3CC	Smooth Bore	(.125")	(.120")	(.040")	.037/.039"	.050"	.050"	
-4CC	Full Detent	(.116")	(.120")	(.040")	.037/.039"	.050"	.050"	
-5CC	Limited Detent	(.120")	(.120")	(.040")	.037/.039"	.050"	.050"	
-6CC	Smooth Bore	(.125")	(.120")	(.040")	.037/.039"	.050"	.050"	
-10CC	Full Detent	(.116")	(.120")	(.040")	.037/.039"	.070"	.050"	
-11CC	Limited Detent	(.120")	(.120")	(.040")	.037/.039"	.070"	.050"	
-12CC	Smooth Bore	(.125")	(.120")	(.040")	.037/.039"	.070"	.050"	
-13CC	Full Detent	(.116")	(.120")	(.040")	.037/.039"	.090"	.050"	
-14CC	Limited Detent	(.120")	(.120")	(.040")	.037/.039"	.090"	.050"	See Detail B
-15CC	Smooth Bore	(.125")	(.120")	(.040")	.037/.039"	.090"	.050"	
-22CC	Full Detent	(.116")	(.120")	(.040")	.037/.039"	.050"	.050"	
-23CC	Limited Detent	(.120")	(.120")	(.040")	.037/.039"	.050"	.050"	
-24CC	Smooth Bore	(.125")	(.120")	(.040")	.037/.039"	.050"	.050"	
-25CC	Full Detent	(.116")	(.120")	(.040")	.037/.039"	.070"	.050"	
-26CC	Limited Detent	(.120")	(.120")	(.040")	.037/.039"	.070"	.050"	
-27CC	Smooth Bore	(.125")	(.120")	(.040")	.037/.039"	.070"	.050"	
-28CC	Full Detent	(.116")	(.120")	(.040")	.037/.039"	.090"	.050"	
-29CC	Limited Detent	(.120")	(.120")	(.040")	.037/.039"	.090"	.050"	
-30CC	Smooth Bore	(.125")	(.120")	(.040")	.037/.039"	.090"	.050"	

SMP Interconnect Series Configurations Cont'd.

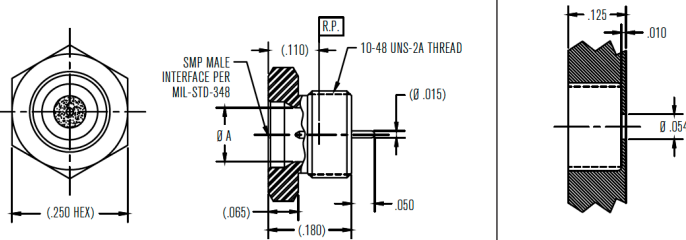
HERMETICS (CONT'D.)

SMP Male Hermetic Shroud/P682



P/N	Interface	(Ø A)	L	E	Detail
-1CC	Full Detent	.116"	.050"	.030"	A
-2CC	Limited Detent	.120"	.050"	.030"	A
-3CC	Smooth Bore	.125"	.050"	.030"	A
-4CC	Full Detent	.116"	.240"	.220"	B
-5CC	Limited Detent	.120"	.240"	.220"	B
-6CC	Smooth Bore	.125"	.240"	.220"	B

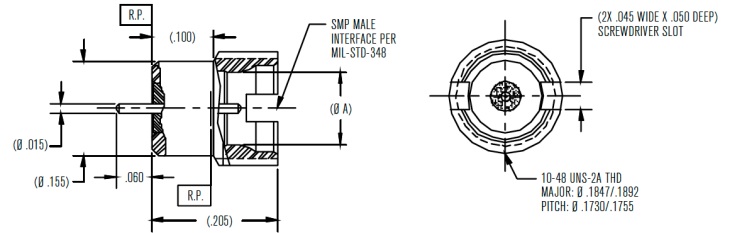
SMP Male Hermetic Thread-In with Mounting Nut/P683



Recommended Mounting Hole

P/N	Interface	Ø A
-1CC	Full Detent	.116"
-2CC	Limited Detent	.120"
-3CC	Smooth Bore	.125"

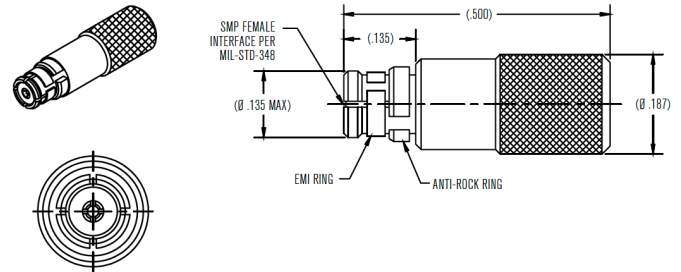
SMP Male Hermetic Thread-In/P761



P/N	Interface	(Ø A)
-1CC	Limited Detent	(.120")
-2CC	Full Detent	(.116")

OPEN/SHORTS/LOADS

SMP Female 50 Ω Termination/P918



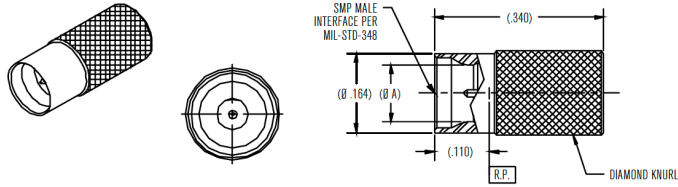
P/N
-1CC



Female 50 Ω Termination (P918-1CC)

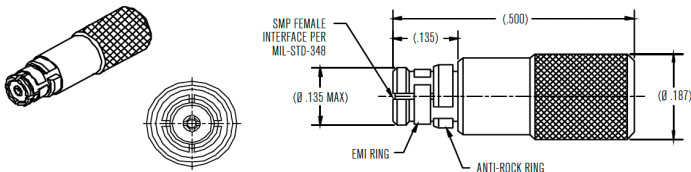
SMP Interconnect Series Configurations Cont'd.

SMP Male 50 Ω Termination/P919

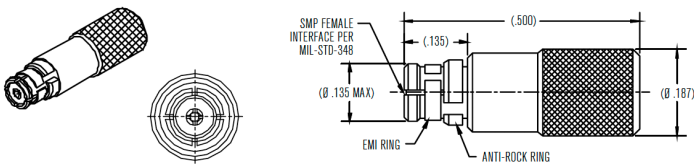


P/N	Interface	(Ø A)
-1CCSF	Full Detent	(.116")
-2CCSF	Limited Detent	(.120")
-3CCSF	Smooth Bore	(.125")

SMP Female Short/P930-1CC



SMP Female Open/P931-1



BULLETS/ADAPTERS

SMP Female to SMP Female Bullet/P617

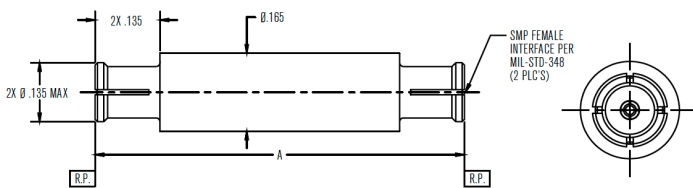


Figure 1

SMP Female to SMP Female Bullet/P617 (Cont'd.)

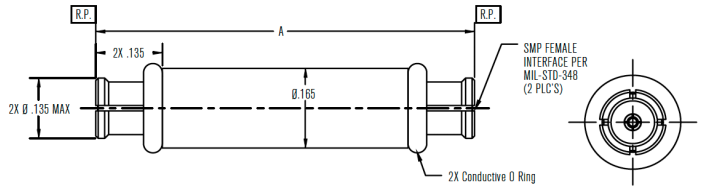


Figure 2

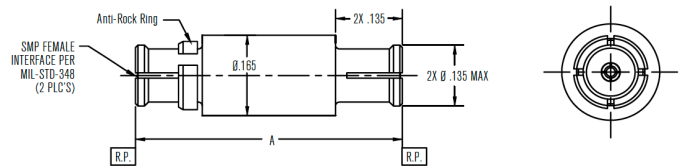


Figure 3

P/N	A	Figure	P/N	A	Figure
-1CC	.768"/.770"	1	-6CC	.414"/.416"	1
-2CC	.850"/.852"	1	-7CC	.427"/.429"	1
-3CC	1.365"/1.367"	1	-8CC	.538"/.540"	3
-4CC	.439"/.441"	2	-9CC	.528"/.530"	3
-5CC	.768"/.770"	2			

SMP Female to SMP Female Bullet — Short Body/P650

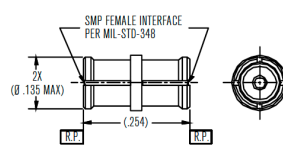


Figure 1

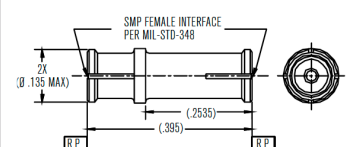


Figure 3

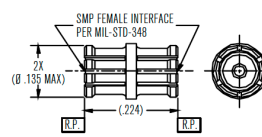


Figure 2

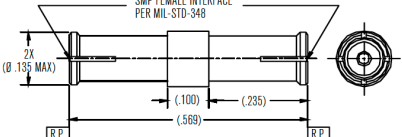


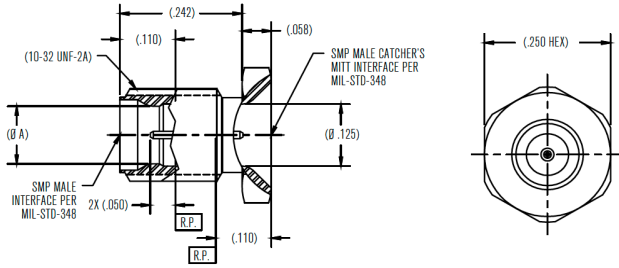
Figure 4

P/N	Figure	P/N	Figure
-1CC	1	-3CC	3
-2CC	2	-4CC	4

SMP Interconnect Series Configurations Cont'd.

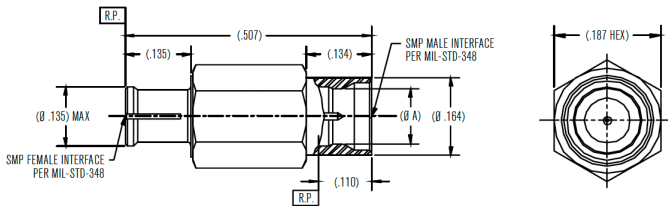
BULLETS/ADAPTERS (CONT'D.)

SMP Male Bulkhead to SMP Male Catcher's Mitt/P912



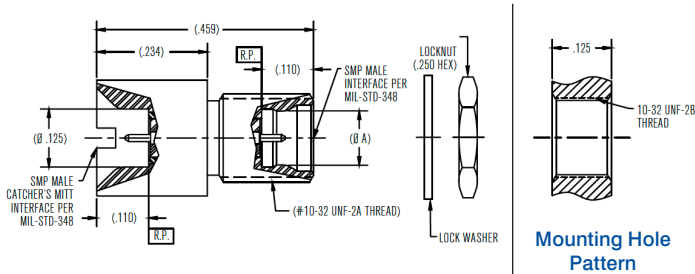
P/N	Interface	(Ø A)
-1CCSF	Full Detent	(.116")
-2CCSF	Limited Detent	(.120")
-3CCSF	Smooth Bore	(.125")

SMP Male to SMP Female Adapter/P914



P/N	Interface	(Ø A)
-1CCSF	Full Detent	(.116")
-2CCSF	Limited Detent	(.120")
-3CCSF	Smooth Bore	(.125")

SMP Male to SMP Female Catcher's Mitt/P916



P/N	Interface	(Ø A)
-1CCSF	Full Detent	(.116")
-2CCSF	Limited Detent	(.120")
-3CCSF	Smooth Bore	(.125")

SMP Female to SMP Female Spring-Loaded Bullet/P922

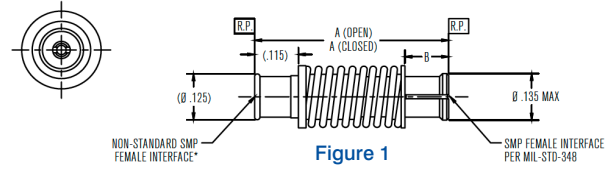


Figure 1

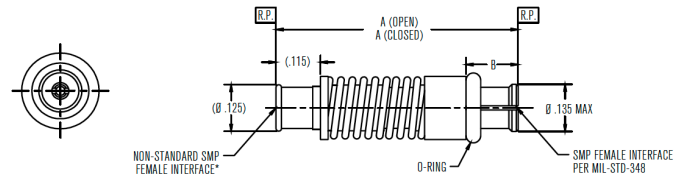


Figure 2

* For use with Smooth Bore and Catcher's Mitt interfaces only

P/N	Figure	A (Open)	A (Closed)	B	O-Ring	Spring Pre-Load	Spring Rate
-2CC	1	.510"	.460"	.115"	No	1.95 lb.	15.0 lb./in
-3CC	2	.745"	.695"	.115"	No	1.21 lb.	5.5 lb./in
-4CC	2	.660"	.610"	.135"	Yes	1.21 lb.	5.5 lb./in



Female to Female Spring-Loaded Bullet (P922)

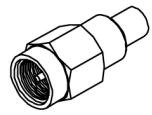
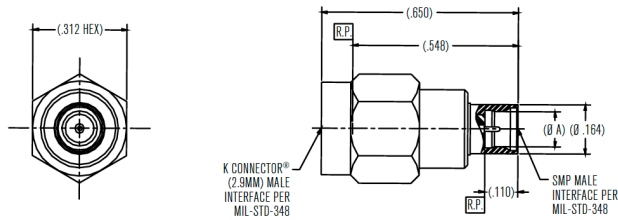


Custom Female to Female Spring-Loaded Bullet

SMP Interconnect Series Configurations Cont'd.

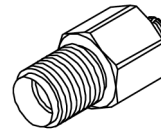
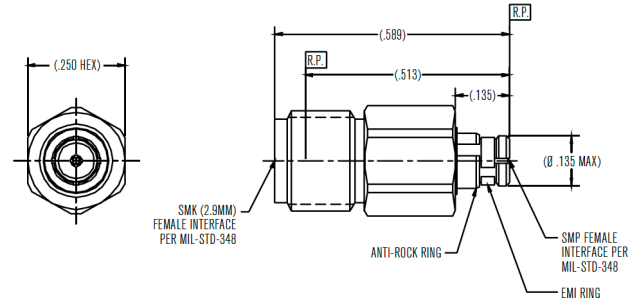
ADAPTERS: SMP TO 2.92 MM

SMP Male to 2.92 mm Male Straight Adapter/P902



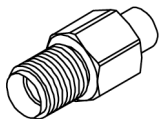
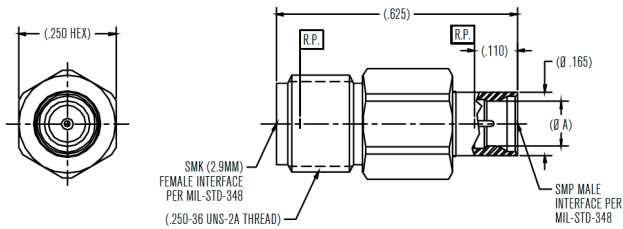
P/N	Interface	(Ø A)
-1CCSF	Limited Detent	(.120")
-2CCSF	Smooth Bore	(.125")
-3CCSF	Full Detent	(.116")

SMP Female to 2.92 mm Female Straight Adapter/P909-1CCSF



P/N
-1
-1SF
-1CCSF

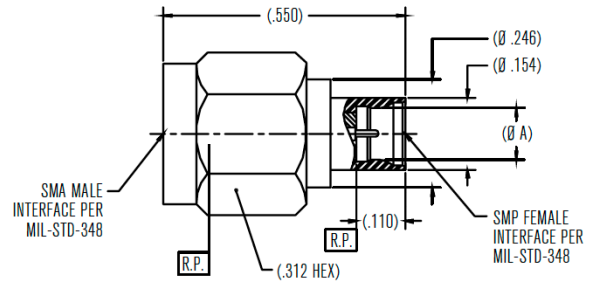
SMP Male to 2.92 mm Female Straight Adapter/P903



P/N	Interface	(Ø A)
-1CCSF	Limited Detent	(.120")
-2CCSF	Smooth Bore	(.125")
-3CCSF	Full Detent	(.116")

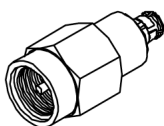
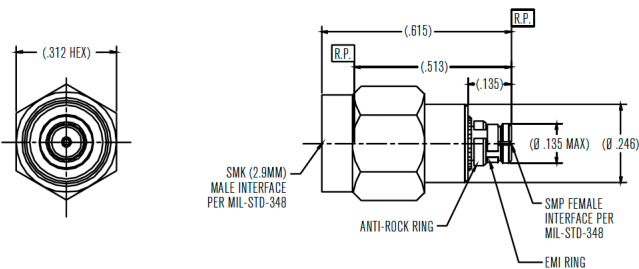
ADAPTERS: SMP TO SMA

SMP Male to SMA Male Straight Adapter/P906



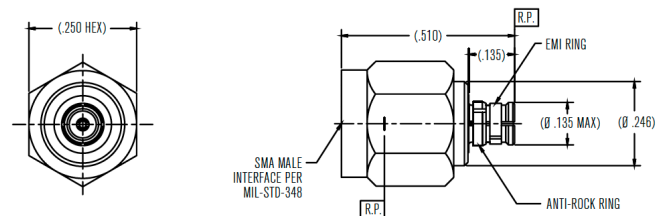
P/N	Interface	(Ø A)
-1CCSF	Limited Detent	(.120")
-2CCSF	Smooth Bore	(.125")
-3CCSF	Full Detent	(.116")

SMP Female to 2.92 mm Male Straight Adapter/P908-1CCSF



P/N
BASIC
-1CCSF

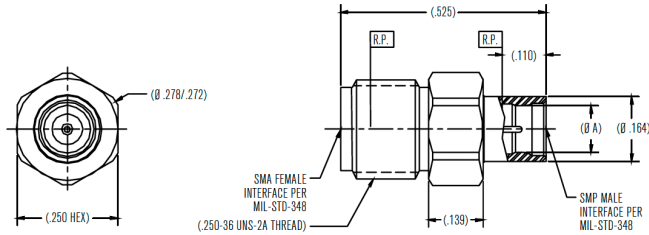
SMP Female to SMA Male Straight Adapter/P907-1CCSF



SMP Interconnect Series Configurations Cont'd.

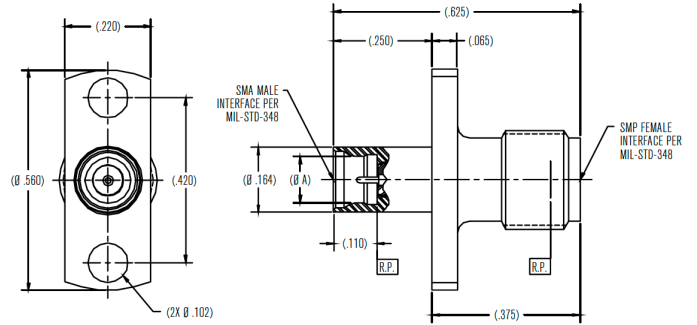
ADAPTERS: SMP TO SMA (CONT'D.)

SMP Male to SMA Female Straight Adapter/P910



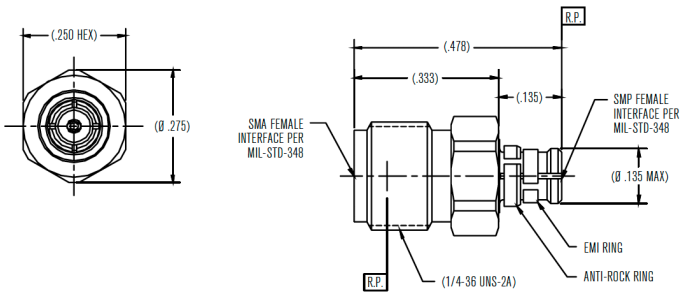
P/N	Interface	(Ø A)
-1CCSF	Limited Detent	(.120")
-2CCSF	Smooth Bore	(.125")
-3CCSF	Full Detent	(.116")

SMP Male 2-Hole Flange-Mount to SMA Female Adapter/P917

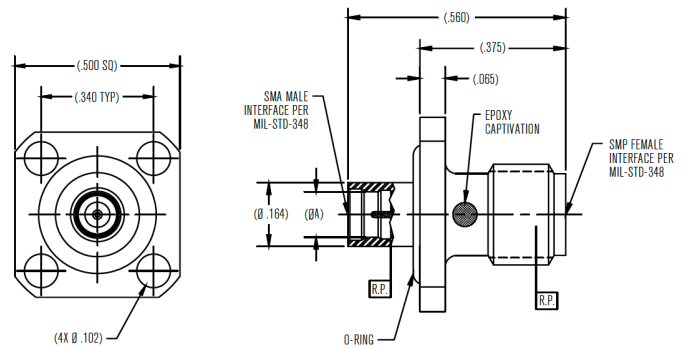


P/N	(Ø A)
-1CCSF	(.116")
-2CCSF	(.120")
-3CCSF	(.125")

SMP Female to SMA Female Straight Adapter/P911-1CCSF

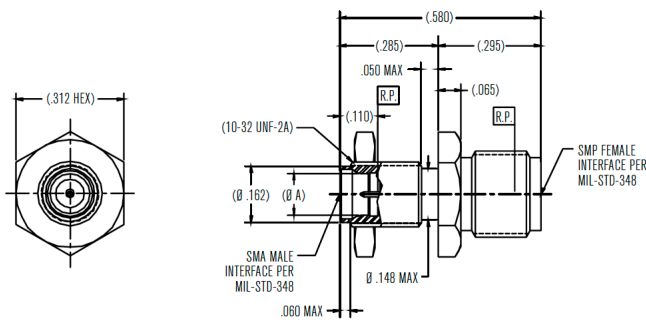


SMP Male 4-Hole Flange-Mount to SMA Female Adapter (with O-Ring)/P920



P/N	Interface	(Ø A)
-1CCSF	Full Detent	(.116")
-2CCSF	Limited Detent	(.120")
-3CCSF	Smooth Bore	(.125")

SMP Male Bulkhead-Mount to SMA Female Adapter/P827



P/N	Interface	(Ø A)
-1CCSF	Full Detent	(.116")
-2CCSF	Limited Detent	(.120")
-3CCSF	Smooth Bore	(.125")

SMP Interconnect Series

Ordering Information

Configuration		Part Number*	Description	Options	
Cable Connectors	For Flexible Cables	P657	SMP Female • Straight	Available for various flexible cables. See page 2	
		P600	SMP Female • Right Angle • 18 GHz		
		P601	SMP Female • Right Angle • 26.5 GHz		
		P663	SMP Male • Straight Panel Mount		
	For Semi-Rigid & Semi-Flex® Cables	P651	SMP Female • Straight	0.047" & 0.085" cable versions available. See page 3	
		P658	SMP Female • Float Mount		
		P652	SMP Female • Right Angle • 12 GHz	0.047" & 0.085" cable versions available. See page 4	
		P655	SMP Female • Right Angle • 26.5 GHz		
		P659	SMP Female • Right Angle • 18 GHz		
		P662	SMP Male • Bulkhead Panel-Mount		
PCB Connectors	Through-Hole Board-Mount	P654	SMP Male • PCB Mount to a Straight Termination	Various heights and/or detents available. See page 5	
		P603	SMP Male • Straight PCB mount • Square Body		
		P646	SMP Male • Right Angle • PCB Mount		
	Surface-Mount	P677	SMP Shroud • Solder-In • Short Body	Various detents available. See page 6	
		P703	SMP Male • Straight		
		P797	SMP Male • Straight to Surface-Mount • With Posts		
		P839	SMP Male • Straight	Various detents available. See page 7	
		Edge-Mount	P606		SMP Male • Straight
			P698		SMP Male • Straight
	Shrouds	Flange-Mount	P670	SMP Full Detent • Straight 2-Hole	Various detents available. See page 8
P672			SMP Limited Detent • Straight 2-Hole		
P673			SMP Smooth Bore • Straight 2-Hole		
Press-In		P675	SMP Press-In Shroud	Various detents available. See page 8	
		P769	SMP Press-In Shroud • Short Body	Various detents available. See page 8	
Thread-In		P676	SMP Thread-In Shroud	Various detents available. See page 9	
Field-Replaceable		P836	SMP Male • 2-Hole Flange-Mount • Accepts 0.012" Pin	Narrow flange version available. See page 9	
Hermetics	P680	SMP Male • Hermetic Shroud • Short Body	Various detents available. See page 9		
	P682	SMP Male • Hermetic Shroud	Various detents available. See page 10		
	P683	SMP Male • Hermetic • Thread-In • With Mounting Nut			
	P761	SMP Male • Hermetic • Thread-In			

SMP Interconnect Series

Ordering Information Cont'd.

Configuration		Part Number*	Description	Options
Opens, Shorts, Loads		P918	SMP Female • 50 Ω Termination	Various detents available. See page 10
		P919	SMP Female • 50 Ω Termination	
		P930-1CC ⁺	SMP Female • Short Body Adapter	Various detents available. See page 11
		P931-1 ⁺	SMP Female • Open	
Bullets/Adapters		P617	SMP Female to SMP Female Bullet	Various lengths available. See page 11
		P650	SMP Female to SMP Female Bullet • Short Body Adapter	
		P912	SMP Male Bulkhead to SMP Male • Catcher's Mitt Adapter	Various detents available. See page 12
		P914	SMP Male to SMP Female Adapter	
		P916	SMP Male to SMP Male • Catcher's Mitt Adapter	
		P922	SMP Female to SMP Female Spring-Loaded Bullet	Various lengths available. See page 12
Adapters	SMP to 2.92 MM	P902	SMP Male to 2.92 mm Male • Straight	Various detents available. See page 13
		P903	SMP Male to 2.92 mm Female • Straight	
		P908-1CCSF	SMP Female to 2.92 mm Female • Straight	
		P909-1CCSF	SMP Female to 2.92 mm Female • Straight	
	SMP to SMA	P906	SMP Male to SMA Male • Straight	Various detents available. See page 13
		P907-1CCSF	SMP Female to SMA Male • Straight	
		P910	SMP Male to SMA Female • Straight	Various detents available. See page 14
		P911-1CCSF	SMP Female to SMA Female • Straight	
		P827	SMP Male Bulkhead-Mount to SMA Female	
		P917	SMP Male 2-Hole Flange-Mount to SMA Female	
P920	SMP Male 4-Hole Flange-Mount to SMA Female • With O-Ring			

* All parts have a suffix. Please refer to figures for more information.

*These part numbers don't require an additional suffix.



See CarlisleIT's full line of RF/microwave connectors at:
[CarlisleIT.com/products/connectors-accessories/rf-microwave-connectors](https://www.carlisleit.com/products/connectors-accessories/rf-microwave-connectors)

+1 (866) 282-4708
 Sales@CarlisleIT.com

CarlisleIT products are subject to U.S. export control regulations. They may be subject to certain licensing requirements and restricted for export.