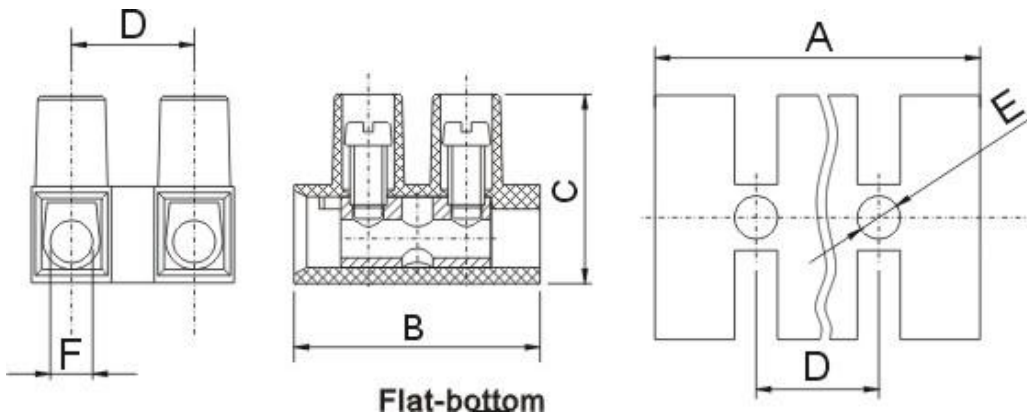


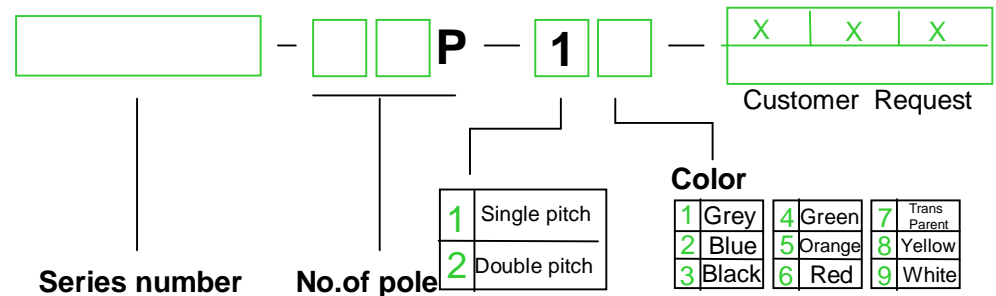


Model	Wire range	IEC (datasheet)		UL (datasheet)		Dimensions (mm/in.)						
		Rated current	Rated voltage	Rated current	Rated voltage	Unit	A	B	C	D	E	F
DG8H-0	1.5mm ²	17.5A	450V	15A	300V	(mm)	96.05	17.80	14.30	8.20	±3.00	2.80
DG10H-0	2.5mm ²	24A	450V	20A	300V	(mm)	116.70	20.00	15.70	10.00	±3.50	3.30
DG12H-0	6.0mm ²	41A	750V	30A	300V	(mm)	140.70	23.80	17.80	12.00	±3.90	3.90
DG14H-0	10.0mm ²	57A	750V	50A	300V	(mm)	158.00	25.60	24.00	13.50	±4.40	4.80
DG16H-0	16.0mm ²	76A	750V	65A	300V	(mm)	169.80	28.00	21.80	14.50	±4.20	6.00
DG18H-0	25.0mm ²	101A	750V	85A	600V	(mm)	194.40	36.90	27.50	16.50	±4.20	7.50

- ※ Housing material: PA66 UL94V-2
- ※ Current carrier: Alloy, Ni-plated
- ※ Screws: Steel, Cr³⁺Zn-plated
- ※ Ambient temperature: -40°C ~ T110°C
- ※ Poles available: 2-12P



HOW TO ORDER :



	 DEGSON ELECTRONICS CO., LTD.		
	NAME DG8H-0	DG10H-0	DG12H-0
	DG14H-0	DG16H-0	DG18H-0