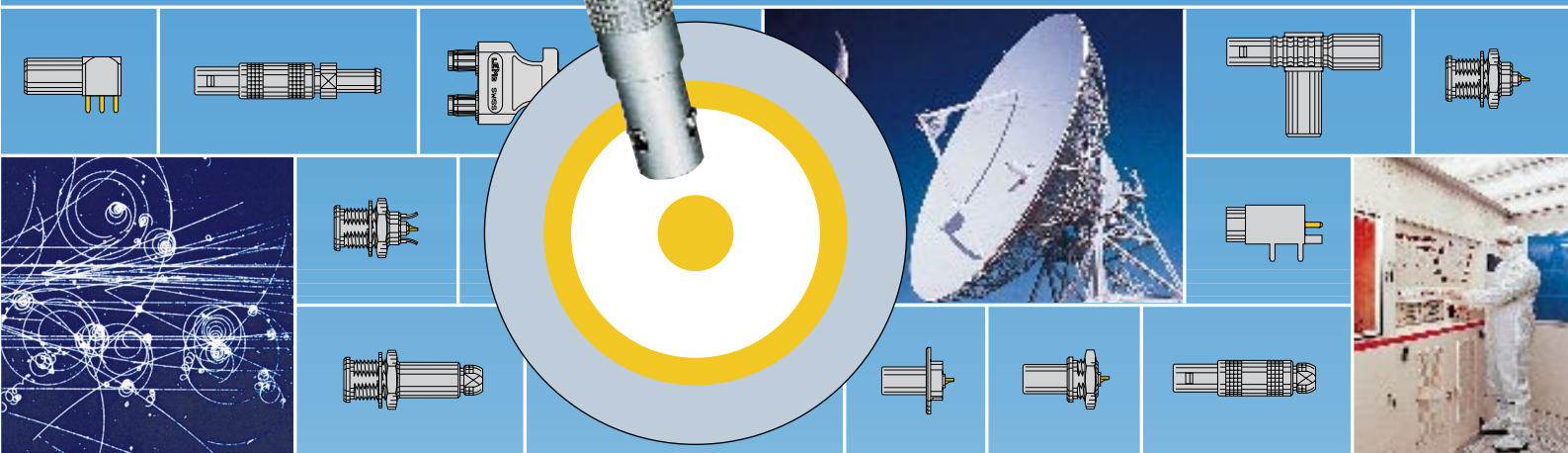
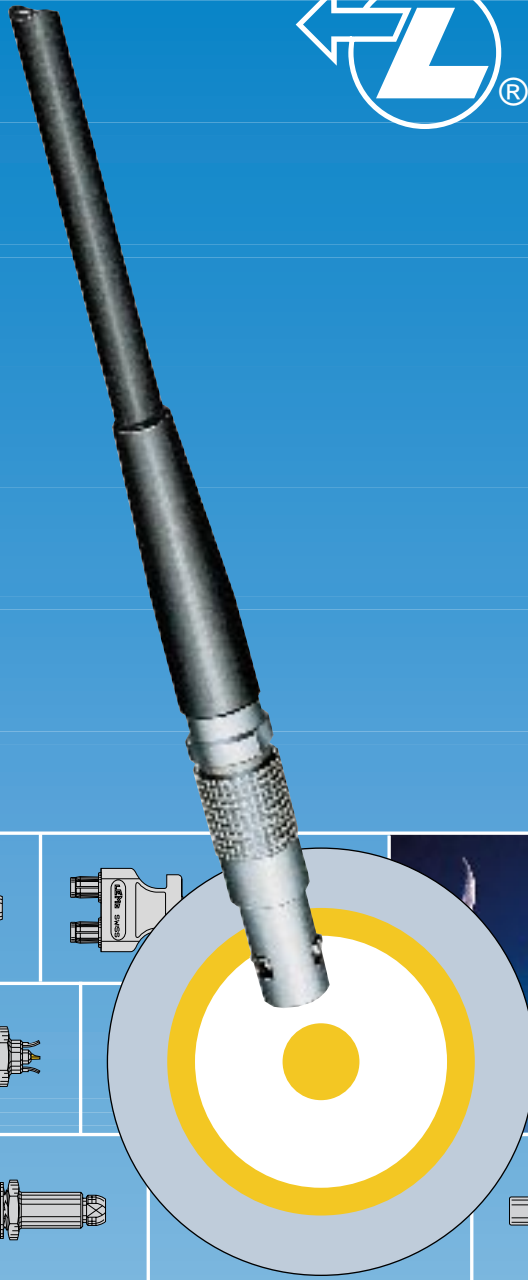




LEMO®



Coaxial Series 00 NIM-CAMAC CD/N 549 Connectors

Dear Customers,

Fundamental research in particle physics as practised within CERN and other nuclear research establishments requires more and more complex equipment of high performance in order to achieve the objectives. The needs of such research contribute to the development of leading products for the whole of industry.

For many years LEMO has participated in this evolution. This has resulted in a range of miniature coaxial connectors (50 Ω) with a push-pull self-latching system, the LEMO 00.250 Series. These connectors now form the basis of the NIM-CAMAC CD/N 549 standard.

The LEMO 00.250 Series is now used in many areas such as: telecommunications, sensors, medical equipment, space research, etc...

The miniature push-pull self-latching system, combined with higher electrical performance, proven quality and aesthetic appearance, results in these connectors being continually specified for new applications.

The programme covered in this catalogue now includes more than 50 models suitable for many cable types.

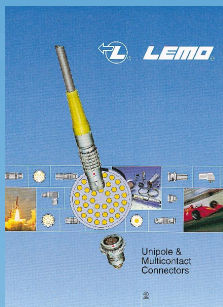
To meet all your needs in push-pull self-latching connectors, LEMO has extensive Research & Development facilities and is able to propose prompt and successful solutions.

LEMO renewed its SQS Certificate according to ISO 9001/EN 29001 in June 1993 and is continually improving its "quality" culture incorporating the TQEM philosophy (Total Quality Environmental Management). Our primary concerns are zero-defect product quality together with respect of environment and customer service.

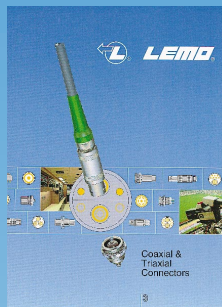


LEMO S.A.

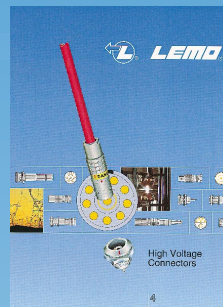
General Management



2 Unipole & Multicontact
* Connectors



3 Coaxial & Triaxial
* Connectors



4 High Voltage
* Connectors



5 Fiber Optic
Connectors



6 Fluidic Connectors
*



7 Thermocouple Connectors
*



Short Form Catalogue

* Catalogs not available at press time

No reproduction or use without express permission of editorial or pictorial content, in any manner.

LEMO SA reserve the right at all times to modify and improve specifications without any notification.

Table of contents

General Production Programme	page 2
Main Characteristics and Types	2
LEMO's Push-Pull Self-Latching System	3
Mechanical Connecting Characteristics	3
Series and Types	4
General Characteristics	
Outer Shell, Technical Characteristics	5
Insulator, Technical Characteristics	6
Contact, Technical Characteristics	6
Cable Fixing	8
Clamping Type	8
Series 00	
Introduction	9
Interconnections	9
Model Description	10
Part Section Showing Internal Components	10
Mechanical, Environmental and Electrical Characteristics	10
Recommended Cables	11
Anodized Colour of Aluminium Alloy Connectors	11
Part Number Example	12
Models: Plugs	13
Fixed Socket	16
Free Socket	19
Plugs with Resistor	20
Couplers	21
Plugs with Socket	21
Watertight Fixed Sockets	22
Adaptors	23
Assembled Cables	27
Accessories	
Plug Cap	27
Blanking Cap for Fixed Socket	28
Blanking Cap for Free Socket	28
Earthing Cap	28
Crimp Ferrule	29
Strain Relief	29
Insulating Washers	29
Locking Washers	29
Tapered Washers	30
Hexagonal Nut	30
Round Nut	30
Conical Nut	30
Earthing Washer	30
Tooling	
Spanner for nuts	31
Spanner for plugs	31
Flat Spanner	32
Extraction Tool for plugs	32
Crimping Tool	32
Panel Cut-Out	33
Printed Circuit Board Drilling Pattern	33
Terminating instructions	34
Recommended Coaxial Cables	38
Technical Tables	38

General Production Programme

Connectors

- Unipole from 2 to 150 Amps
- Coaxial 50 and 75 Ω
- Coaxial 50 Ω (NIM-CAMAC)
- Coaxial 50 Ω for frequency up to 12 GHz
- Coaxial 50 Ω SMA
- Multicoaxial 50 and 75 Ω
- Multipole from 2 to 106 contacts
- High Voltage 3, 5, 8, 10, 15, 30, and 50 kV dc
- Multi High Voltage 3, 5, and 10 kV dc
- Triaxial 50 and 75 Ω
- Quadrax
- Mixed: High Voltage (HV) + Low Voltage (LV)
- Mixed: Coax + LV
- Thermocouple
- Multithermocouple
- Fibre optic singlemode
- Fibre optic multimode
- Mixed: fibre optic + LV
- For OPTABALL® fibre optic singlemode
- Fluidic
- Multifluidic
- Mixed: fluidic + LV
- Subminiature
- Miniature
- Plastic
- Printed circuit board
- Remote handling
- Watertight
- Sealed (pressure and/or vacuum)
- With plastic outer shell
- With aluminium outer shell
- With stainless steel outer shell
- With special radiation resistant insulator material
- With screw thread coupling for very high pressure
- With microswitch

Adaptors

- For BNC, C, UHF, N, CINCH connectors
- For GEN-RADIO, SMA connectors
- For TNC connectors

Patch Panels

For audio-mono applications: triax or 3 contacts (with or without commutator)
 For audio-stereo applications: quadrax or 6 contacts
 For video applications: coax 75 Ω
 For video HDTV applications: 3 coax 75 Ω + 2LV
 For fibre optic applications

Accessories

- Insulator for crimp contacts
- Crimp contacts
- Coaxial contacts
- Fibre optic contacts
- Fibre optic ferrules
- Caps
- Strain relief
- Insulating washers
- Double plastic panel washers
- Locking washers
- Tapered washers
- Hexagonal nuts
- Round nuts
- Conical nuts
- Earthing washers
- Lead-through with cable collet

Tools

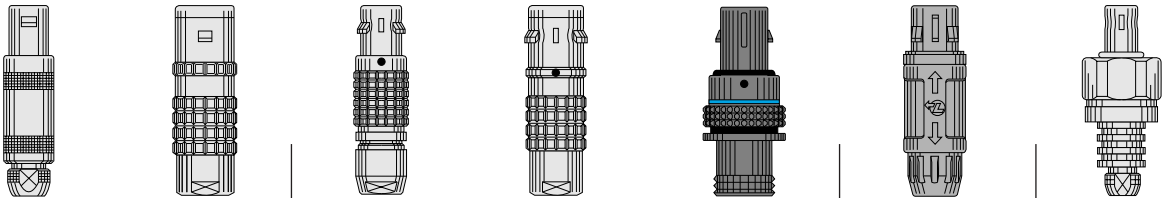
- Spanners
- Crimping tools
- Positioners
- Crimping dies
- Extractors
- Fibre optic termination workstation
- Fibre optic polishing tools

On request

- Filtered connectors
- Connectors with special alloy housing
- Mixed special connectors
- Assembly onto cable

- Connectors, accessories, and tools found in this catalogue.

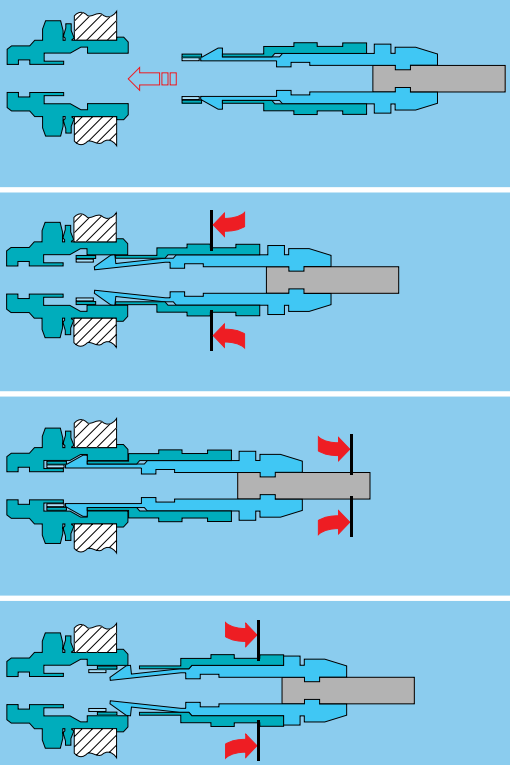
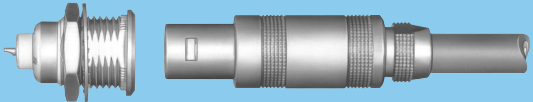
Main Characteristics and Types



Series	STANDARD	WATERTIGHT	KEYED	KEYED WATERTIGHT		PLASTIC	SCREW
	01 (Minax) 00 (NIM-CAMAC) R0 0S to 6S 0A / 4A 1D / 2C 1Y-3Y-6Y	0E to 6E 3T 4M	00 (multipin) 0B to 5B 2G-5G	0K to 5K	0F to 5F	3P	03 EA 0V to 5V 0W-2W
Latching	Push-Pull						Screw
Key	Stepped insert (Half-Moon)	Key (G) or key-way code		Key (N) or key-way code	Key (G) or key-way code		Key (G) or stepped insert (Half-Moon)
Shell	Metal or plastic			Metal	Plastic		Metal
Insert	Stepped insert (Half-Moon)	Cylindrical					Cylindrical or stepped insert
Contact	Solder or Print		Solder, Crimp or Print			Solder	

LEMO's Push-Pull Self-Latching Connecting System

This self-latching system is renowned worldwide for its easy and quick mating and unmating features. It provides absolute security against vibration, shock or pull on the cable, and facilitates operation in a very limited space.

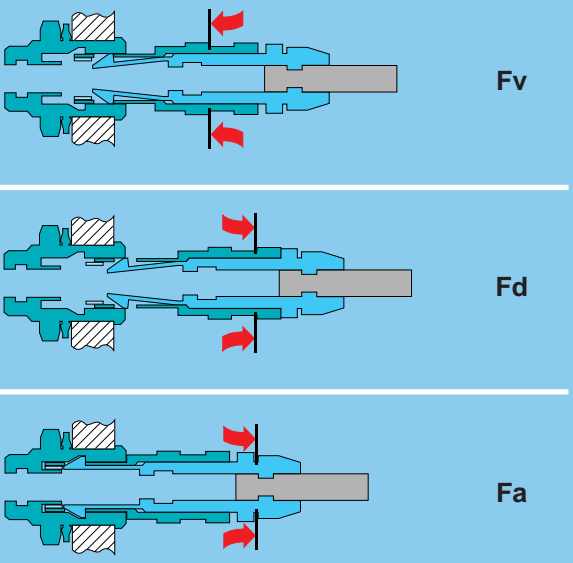



The LEMO self-latching system allows the connector to be mated by simply pushing the plug axially into socket.

Once firmly latched, connection cannot be broken by pulling on the cable or any other component part other than the outer release sleeve.

When required, the connector is disengaged by a single axial pull on the outer release sleeve. This first disengages the latches and then withdraws the plug from the socket.

Mechanical Connecting Characteristics



F_v F_v: average latching force = 9 N

F_d F_d: average unmating force with axial pull on the outer release sleeve = 7 N

F_a F_a: average pull force with axial pull on the collet nut = 120 N

Notes: the forces were measured on outer shells not fitted with contacts.

The mechanical endurance represents the number of cycles after which the latching system is still effective (1 cycle = 1 latching/unlatching – 300 cycles per hour).

Mechanical endurance: 5000 cycles.

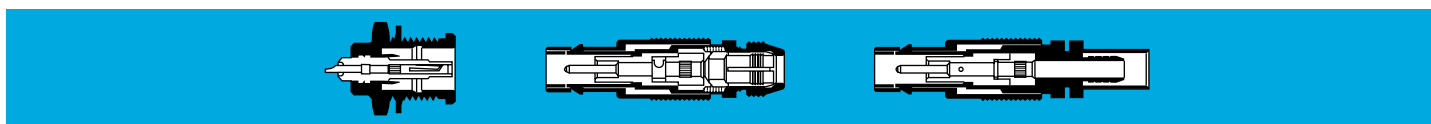
The values were measured according to the standard MIL-STD-1344A method 2013.1.

1N = 0,102 kg.

Series and Types

	Series	Types																					
		Unipole	Coaxial 50 Ω	Coaxial 75 Ω	Multipole	High Voltage	Triaxial 50 Ω	Triaxial 75 Ω	Quadrx	Multi High Voltage (Keyed series)	Multi High Voltage	Multi Coaxial	Mixed HV + LV	Mixed Coax + LV	Mixed Triax + LV	Fibre Optic (single fibre)	Multi Fibre Optic	Mixed FO + LV	Fluidic	Multifluidic	Mixed fluidic + LV	Thermocouple	
Standard	01		●																				
	00	●	●				●												●				
	R0		●																				
	0A		●	●																			
	0S	●	●		●	●	●																●
	1S	●	●	●	●	●	●																●
	2S	●	●	●	●	●	●	●						●									●
	3S	●	●	●	●	●	●	●				●		●	●								
	4S	●	●	●	●	●	●	●				●	●	●	●								
	5S	●	●	●	●							●	●	●	●								
	6S				●							●		●									
	1D								●														
	2C		●		●																		
	4A							●															
	1Y					●																	
3Y					●																		
6Y					●																		
Watertight	0E	●	●		●	●	●															●	
	1E	●	●	●	●	●	●															●	
	2E	●	●	●	●	●	●	●					●									●	
	3E	●	●	●	●	●	●	●			●		●	●									
	4E	●	●	●	●		●	●					●	●									
	5E	●			●						●	●	●	●									
	6E				●						●		●	●									
	3T			●				●															
4M						●	●																
Keyed	00				●											●							
	0B				●											●			●			●	
	1B				●								●									●	
	2B				●								●	●				●			●	●	
	3B				●						●		●	●			●	●		●	●	●	
	4B				●					●		●	●	●			●	●		●	●		
	5B				●					●		●	●	●	●		●	●		●	●		
	2G				●																		
Keyed Watertight	0K				●														●			●	
	1K				●								●									●	
	2K				●								●	●				●			●	●	
	3K			●	●							●	●	●			●	●		●	●		
	4K				●					●		●	●	●			●	●		●	●		
	5K				●					●		●	●	●	●		●	●		●	●		
Plastic	3P				●								●	●				●					
Screw	03		●		●																		
	EA															●							
	0V	●	●		●		●															●	
	1V	●	●	●	●		●															●	
	2V	●	●	●	●		●	●					●									●	
	3V	●	●	●	●		●	●			●		●	●									
	4V	●	●	●	●		●	●					●	●									
	5V	●			●						●	●	●	●									
2W				●								●	●					●			●	●	

General Characteristics



Outer Shell

Brass

LEMO series 00 connectors have a brass outer shell as standard, and this is suitable for most general purpose applications, including civilian and military.

The brass outer shells have a nickel-plated surface which ensures very good protection against most atmospheres. Alternative protective coatings are available:

- Nickel-chrome offering higher protection against salt air and most corrosive agents
- Nickel-gold
- Nickel-black chrome. After the black chrome treatment, the part is coated with a protective film.

Aluminium Alloy

Aluminium alloy outer shells find numerous applications where light weight is a predominant factor; such as in the aeronautics and space industries, and for portable and mobile equipment.

These materials have high mechanical strength and

excellent resistance to corrosion.

The shell surface is protected by anodizing which is available in six colours: blue, yellow, black, red, green, and natural.

Plastic Materials

A PEEK beige coloured outer shell is available which offers excellent insulating properties and is mostly used in the medical industry. This material is suitable for gas or vapour sterilization.

Other Metallic Components

In general, other components are manufactured from brass. However, bronze is used where good elasticity is required (for example: earthing crown).

These parts are nickel or nickel-gold plated depending on the utilization.

Materials and Treatment

Component	Material (Standard)	Surface Treatment (µm)										
		Nickel		Chrome			Gold			Black Chrome		
		Cu	Ni	Cu	Ni	Cr	Cu	Ni	Au	Cu	Ni	Cr
Outer shell, collet nut, conical nut	Brass (UNS C 38500)	0.5	3	0.5	3	0.3	0.5	3	0.5	–	1	2
	Alu. alloy (AA 6012)	anodized										
	PEEK (MIL-P-46183)	beige coloured										
Earthing crown	Cu-Be (UNS C 17300)	0.5	3	–	–	–	0.5	3	1.5	–	–	–
Latch sleeve	Special Brass	0.5	3	–	–	–	0.5	3	1.5	–	–	–
Crimp ferrule	Copper (UNS C 18700)	0.5	3	–	–	–	0.5	3	1.5	–	–	–
Locking washer	Bronze (UNS C 52100)	0.5	3	–	–	–	0.5	3	0.5	–	–	–
Hexagonal nut	Brass (UNS C 38500)	0.5	3	–	–	–	0.5	3	0.5	–	–	–
	Alu. alloy (AA 6012) ¹⁾	anodized										
Other metallic components	Brass (UNS C 38500)	0.5	3	–	–	–	0.5	3	0.5	–	–	–
Sealing glands	Silicone or FPM	without treatment										

Notes: the surface treatment standards are as follows:

– nickel QQ-N-290A, or MIL-C-26074C

– chrome QQ-N-320B

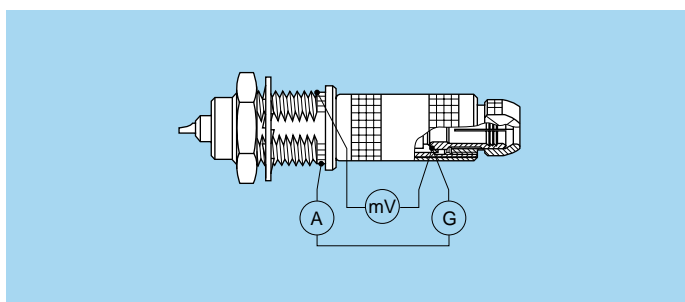
– gold MIL-G-45204C type I, class 1 (1.5 µm) class 00 (0.5 µm)

– black chrome MIL-C-14538C

¹⁾ supplied only with aluminium alloy free or fixed sockets.

Electrical Characteristics

Screen continuity: according to test MIL-STD-1344A, method 3007.



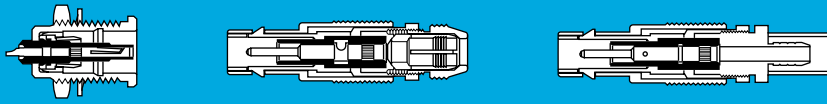
R₁ Values with earthing crown and latch sleeve or inner-sleeve nickel plated.

R₂ Values with gold-plated earthing crown and nickel plated latch sleeve or inner-sleeve.

R₃ Values with earthing crown and gold-plated latch sleeve or inner-sleeve.

R ₁ (mΩ)	R ₂ (mΩ)	R ₃ (mΩ)
3.5	2.8	2.0

Testing current: 1A
A = Ammeter
mV = Millivoltmeter
G = Generator



Insulator

Technical Description

LEMO uses virgin quality PTFE for the insulator material of coaxial connectors, which guarantees excellent insulating properties.

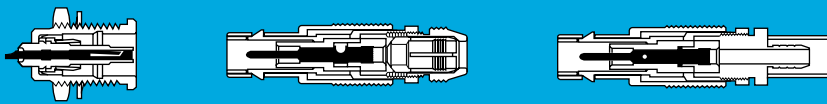
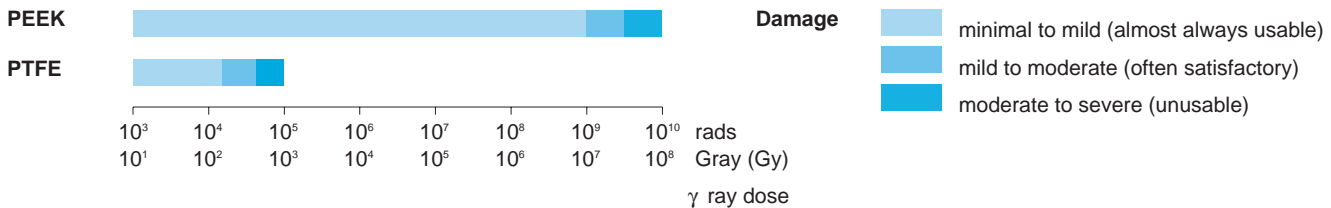
LEMO also proposes PEEK (Polyether Etherketone). Its higher mechanical strength and excellent radiation resistance make it ideal for most applications.

Technical Characteristics

Property	Test method	Unit	PEEK	PTFE
Dielectric strength	ASTM D 149	kV/mm	19 - 25	17.2 - 24
Volume resistivity at 50% HR and 23°C	ASTM D 257	$\Omega \cdot \text{cm}$	10^{16}	10^{18}
Surface resistivity	ASTM D 257	Ω	10^{15}	10^{17}
Thermal conductivity	ASTM C 177	W/K • m	0.25	0.23
Comparative tracking index	IEC 112	V	CTI 150	CTI 500
Dielectric constant (10 ⁶ Hz)	ASTM D 150	–	3.2 - 3.5	2 - 2.1
Dissipation factor (10 ⁶ Hz)	ASTM D 150	–	< 0.005	< 0.0003
Continuous service temperature	–	°C	250	260
Water absorption in 24h at 23°C	ASTM D 570	%	< 0.3	< 0.01
Radiation resistance	–	Gy	10^7	$2 \cdot 10^2$
Flammability rating	UL 94	–	V 0	V 0

Note: the technical data contained in this chapter gives a general information about plastic materials used by LEMO as electrical insulator materials. LEMO reserves the right to propose new material which would have higher technical characteristics and to withdraw any material contained in this publication or others from LEMO and its subsidiary companies. LEMO only uses granulated, powdered plastic materials or bars from specialized suppliers. LEMO is not responsible, in any case, for these materials.

Radiation resistance



Electrical Contact

Technical Description

The secure, reliable electromechanical connection achieved with LEMO female contacts is mainly due to two important design features:

1. **Prod proof entry** which ensures perfect concentric mating even with well used and/or carelessly handled connectors.
2. **The pressure spring** that maintains a constant, even force on the male contact when mated. The leading edge of the spring is chamfered to slide smoothly on the male contact, preserving the gold-plated surface treatment and preventing undue wear.

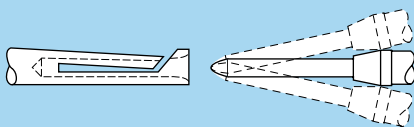
Contact Material

LEMO female electrical contacts are made from bronze (UNS C 54400). Bronze is chosen because of its high modulus of elasticity, its excellent electrical conductivity and a high mechanical strength.

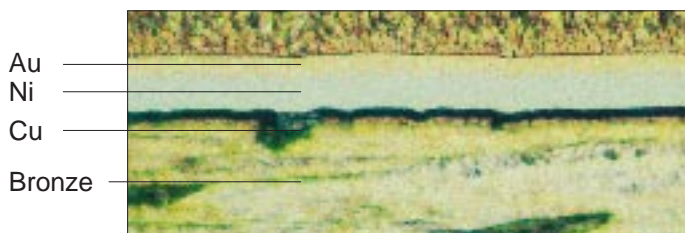
LEMO male solder and print contacts are made from brass (UNS C 38500). Male crimp contacts are made from brass (UNS C 34500) which is ideal for crimping onto the electrical conductor.

Conductor retention method

Both male and female contacts are available in crimp, solder or print versions.



Materials and Treatments

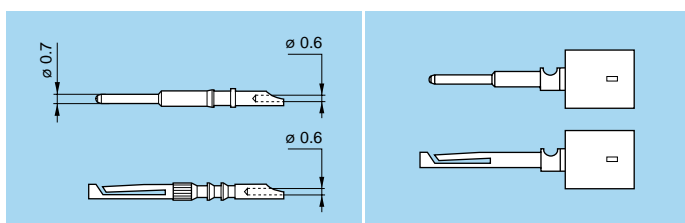


Notes: the standard surface treatments are as follows:
 – Nickel QQ-N-290A or MIL-C-26074C
 – Gold MIL-G-45204C, type I, class 1.

Type	Material (Standard)	Surface treatment (μm)		
		Cu	Ni	Au
Male solder	Brass (UNS C 38500)	0.5	3	1.5
Male crimp	Brass (UNS C 34500)			
Male print	Brass (UNS C 38500)			
Female solder	Bronze (UNS C 54400)	0.5	3	2.0
Female crimp				
Female print				

Solder Contacts

The conductor bucket of these contacts is machined at an angle to form a cup into which the solder can flow.

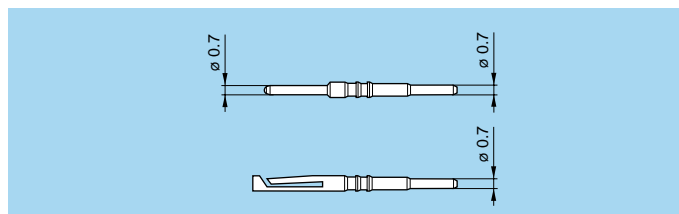


Features of the LEMO crimp contacts:

- Quick and simple assembly
- Insulator is not heated during contact to conductor assembly
- High temperature applications possible
- Increased conductor retention force

Print contacts

Print contacts are available in certain connectors versions, mostly for the straight or elbow sockets models. Connection is made on flexible or rigid printed circuits by soldering

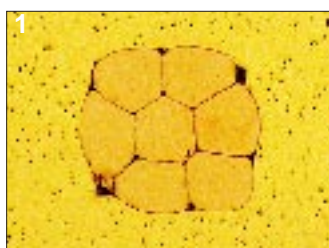
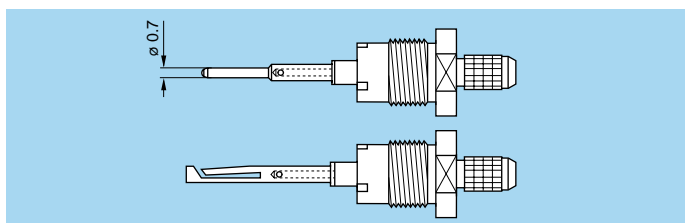


Crimp Contacts

The square form crimp method is used (MIL-C-22520F, type2) (photo 1).

The crimp method requires a controlled compression to obtain a symmetrical deformation of the conductor strand and of the contact material. The radial hole in the side of the contact enables correct positioning of the conductor within the contact to be verified. A good crimping is characterized by a small conductor section reduction and by the quite closed free spaces.

The LEMO crimp contacts are factory annealed to relieve internal stresses, and reduce the risk of the material work hardening during the crimping process. During this process, an induction heating machine designed by LEMO's Research and Development Department is used (photo 2).



Contact Resistance in Relation to Numbers of Mating Cycles

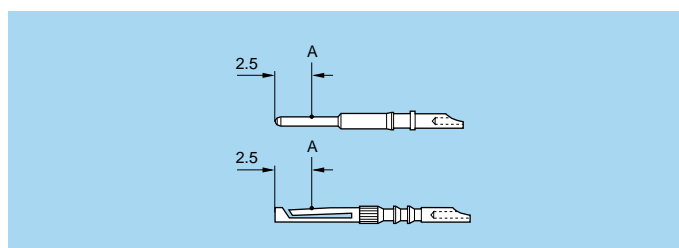
(Corrosion according to MIL-STD-202, method 101D).

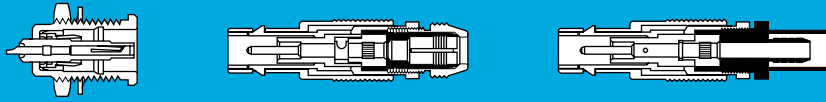
Contact resistance ($\text{m}\Omega$)		
1000 cycles	3000 cycles	5000 cycles
5.6	5.7	6.1

Thickness comparison between the outside and the inside of female contacts

male (μm)	Gold thickness ¹⁾	
	outside (μm)	inside (%)
1.5	2	60

Note: 1) minimal thickness according to MIL-G-45204C, type I, class 1.
 A = test point





Cable Fixing

Cable fixing onto LEMO connectors is determined by the connector model. This is achieved either with a cable collet system or with hexagonal crimping (MIL-C-22520F, type 2).

The collet system cable fixing is made without any specific tooling. The crimping method guarantees a good electrical continuity of the shield which improves greatly the shielding efficiency of the cable/connector link.

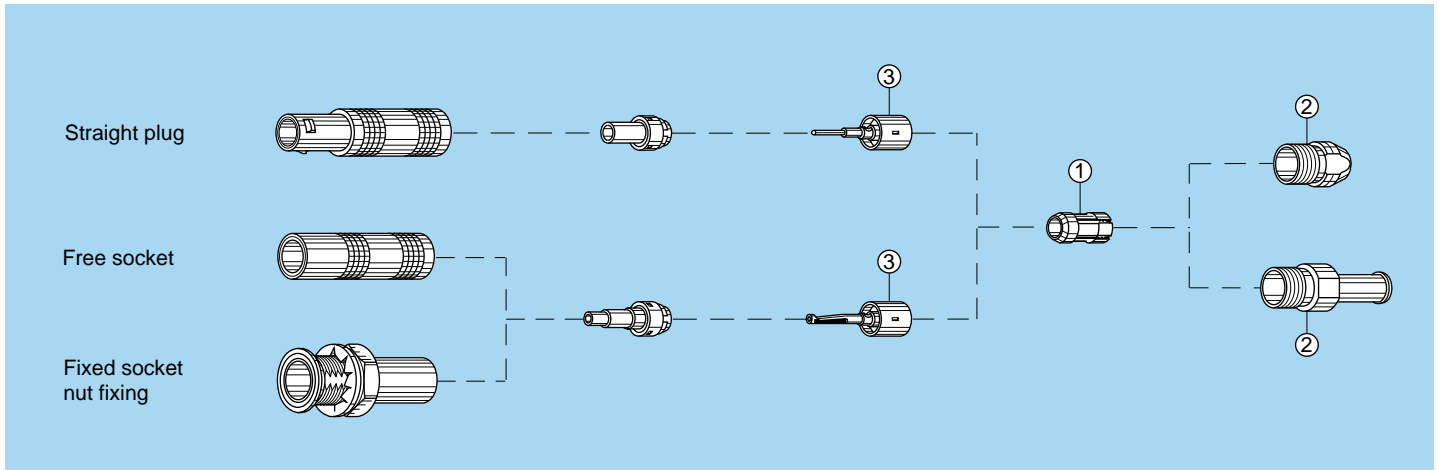
Material and Treatment

Component	Material (Standard)	Surface Treatment (µm)	
		Cu	Ni
Earthing sleeve	Brass (UNS C 38500)	0.5	3
Collet	Brass (UNS C 38500)	0.5	3
Crimp ferrule	Copper (UNS C 18700)	0.5	3
Collet nut	Brass (UNS C 38500)	0.5	3

Note: collet nut tightening torque: maximum 0.25 Nm (1N = 0.102 kg)

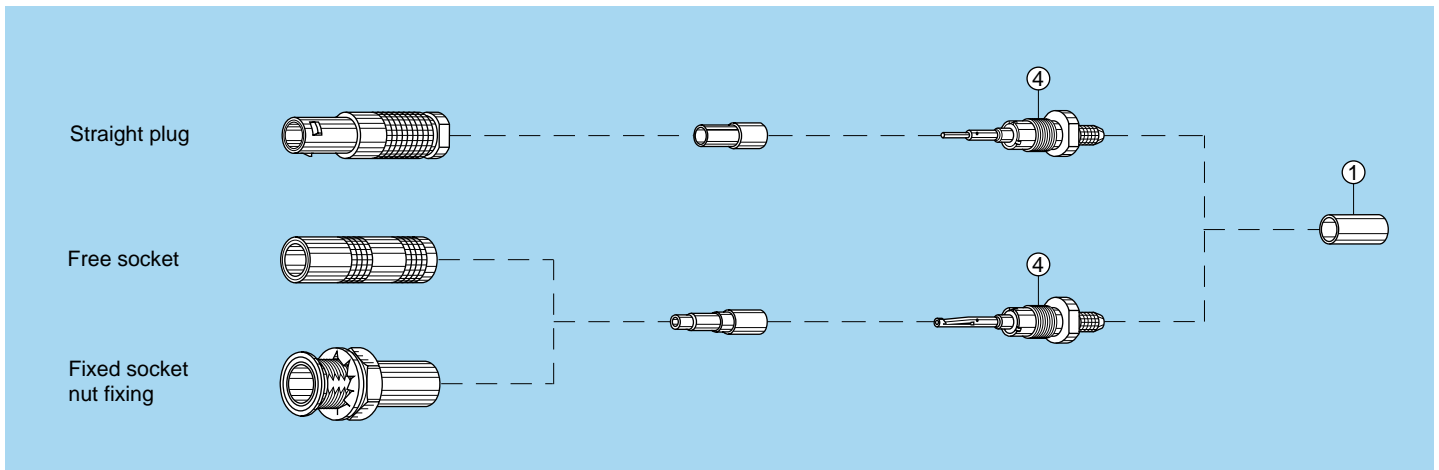
Type C Cable Clamping

This system has an earthing sleeve ③ and a collet ① which is compressed by the collet nut ② to ensure a good clamp onto the cable. When assembling the connector, the cable shield is gripped between the earthing sleeve and the collet.



Type E Crimping

The back end of the crimp nut ④ which receives the shield braid, is milled to ensure a good retention of the shield once crimped.



Series 00 (NIM-CAMAC-CD/N 549)

Introduction

The 00 series is a range of 50 Ω coaxial connectors. They are suitable for a wide variety of applications particularly in measurement, control system and nuclear physics, having formed the basis for the NIM-CAMAC-CD/N 549 standard. LEMO 00 connectors offer customers many benefits including:

- Self-latching push-pull system
- Aesthetically pleasing appearance
- Small size
- High packing density
- Rugged construction
- Ease of use
- Low weight
- Reliable performances
- Wide choice to suit application

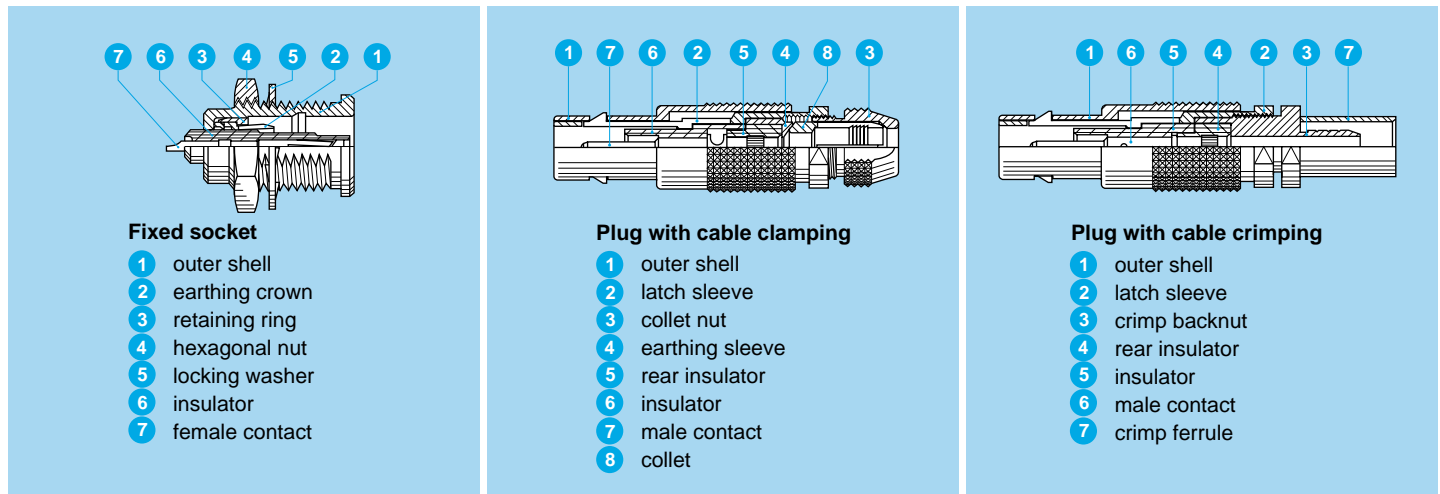
Interconnections

Straight and elbow plugs		Straight and elbow sockets		Straight sockets	Straight couplers
 FFE	 FFA	 ERA, ERE	 EPE	 PCA	 RAD
 FLA	 FFC	 ERN	 EPL, EPM, EPK	 PCS	 RMA
 FLS, FLV	 FFA	 ERC	 EPS	 PSA	
 FAA	 FFA	 ERT	 EPN	 PSS	 FTR
 FAB	 FFS, FFV	 ERM	 EPY	 PES	 FTA
 FPA	 FFY	 ECP	Plugs with resistance		 FTL
 FPL	 FFF	 EPA, EPB, EPC	 FRT	 FLR	 FTY
Watertight or vacuumtight models					
Straight sockets			Straight coupler		
 HGP	 HGW	 EWF	 EWW	 SWH	

Models Description

ABA Adaptor from LEMO socket to BNC plug	EPK Elbow socket (90°) for printed circuit with clearance under the body	FFF Straight plug, non-latching, with cable collet
ABB Adaptor from LEMO fixed socket to BNC socket	EPL Elbow socket (90°) for printed circuit	FFS Straight plug with cable crimping
ABC Adaptor from LEMO socket to BNC socket	EPM Elbow socket (90°) for printed circuit (long studs)	FFY Straight plug with cable collet
ABD Adaptor from LEMO socket to BNC fixed socket	EPN Straight socket for press mounting in pair on printed circuit,	FFV Straight plug for cable crimping with improved screen efficiency
ABF Adaptor from LEMO plug to BNC socket	EPS Elbow socket (90°) with two nuts for printed circuit	FLA Elbow plug (90°) with cable collet
ACA Adaptor from LEMO socket to C plug	EPY Elbow socket (90°) for printed circuit with two vertical sockets	FLR Elbow plug (90°) with resistor
ACB Adaptor from LEMO socket to C socket	ERA Fixed socket, nut fixing	FLS Elbow plug (90°) for cable crimping
AGG Adaptor from LEMO socket to General-Radio socket type 874	ERC Fixed socket, nut fixing, with slots in flange	FLV Elbow plug (90°) for cable crimping with improved screen efficiency
AGH Adaptor from LEMO socket to UHF plug	ERE Fixed socket, nut fixing, with conical lead in	FPA Straight plug, non-latching, for printed circuit
ANA Adaptor from LEMO socket to N plug	ERM Fixed socket, nut fixing, with microswitch	FPL Elbow plug (90°) non-latching for printed circuit
ANB Adaptor from LEMO socket to N socket	ERN Fixed socket, nut fixing, with tags	FRT Straight plug with resistor or shorted
ANC Adaptor from LEMO socket to N fixed socket	ERT Straight socket without thread, force or adhesive fit	FTA T-plug with two sockets in line
APF Adaptor from LEMO plug to CINCH socket	EWV Fixed socket, nut fixing, with tags, vacuumtight, (back panel mounting)	FTL T-plug with two sockets (90°)
ASA Adaptor from LEMO socket to SMA plug	EWV Fixed socket, vacuumtight	FTR Elbow plug (90°) with one socket
ASB Adaptor from LEMO socket to SMA socket	FAA Straight plug, non-latching, nut fixing	FTY Straight plug with two parallel sockets
ASF Adaptor from LEMO plug to SMA socket	FAB Straight plug, non-latching, riveted fixing	HGP Fixed socket, nut fixing, watertight
ASG Adaptor from LEMO plug to SMA plug	FFA Straight plug with cable collet	HGW Fixed socket, nut fixing, with rear sealing ring
ECP Straight socket with two nuts	FFA Straight plug with cable collet PEEK outer shell	PCA Free socket with cable collet
EPA Straight socket for printed circuit	FFA Straight plug with cable collet and nut for fitting a strain relief	PCS Free socket with cable crimping
EPB Straight socket for printed circuit (long studs)	FFC Straight plug with flats on latch sleeve and cable collet	PES Fixed socket, nut fixing, with cable crimping (back panel mounting)
EPC Straight socket for printed circuit with clearance under the body	FFE Straight plug with front sealing ring, cable collet and nut for fitting a strain relief	PSA Fixed socket, nut fixing, with cable collet
EPE Straight socket with two nuts for printed circuit		PSS Fixed socket, nut fixing, with cable crimping
		RAD Fixed coupler, nut fixing
		RMA Free coupler
		SWH Fixed coupler, nut fixing, vacuumtight

Part Section Showing Internal Components



Models with collet nut for fitting a strain relief

To order models with a collet nut for fitting a strain relief, add a "Z" in the "variant" position (see page 12) of the part number. Strain reliefs are available in nine colours and several sizes to accommodate different cable outside diameters. They are ordered separately as indicated in the "Accessories" section.

Watertight/Vacuumtight models

The fixed sockets and couplers, models HGP, HGW, EWF, EWP, SWH allow the device on which they are

fitted to reach a protection index of IP66 as per IEC 529 (unmated). They are fully compatible with the non watertight models of the same series and are widely used for portable radios, ship installations and in aircraft.

Specially prepared & tested versions of these models are available for vacuumtight applications guaranteeing a leakage level of less than 10^{-6} mbar.l.s⁻¹ (as per MIL-STD-1344A standard method 1008). A vacuumtight model is identified by the letter at the end of the part number (certificate on request).

To seal both the watertight and vacuumtight models, LEMO uses an epoxy resin.

Technical Characteristics

Mechanical and climatical

Characteristics	Value	Standard	Method
Contact retention force	> 18 N	MIL-STD-1344A	2007.1
Cable pull off force	> 100 N	MIL-STD-1344A	2009.1
Connector pull off force	> 90 N		
Endurance	> 1000 cycles	MIL-STD-1344A	2016
Operating temperature ¹⁾	- 55°C + 260°C		

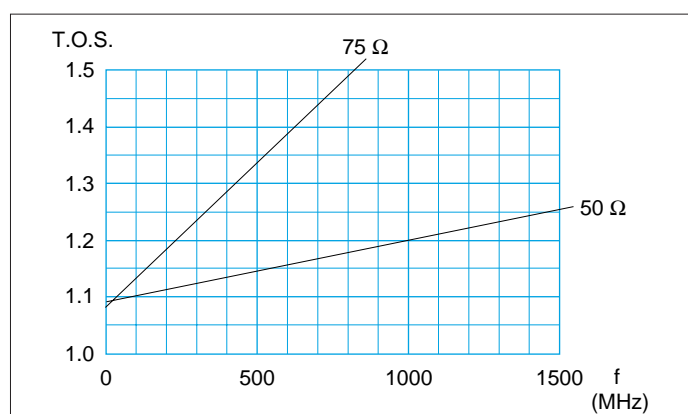
Note: 1) to seal both the watertight and vacuumtight models, LEMO uses and epoxy resin. The operating temperature is limited between -20°C and +80°C.

Electrical

Characteristics	Value	Standard	Method
Impedance	50 Ω		
Operating voltage (50 Hz)	0.7 kV rms	IEC 130-1 1 ^{ère} ed.	§ 14.5
Test voltage (50 Hz)	2.1 kV rms	MIL-STD-1344A	3001.1
Rated current	4 A	IEC 512-3	
Contact resistance	< 6 mΩ	MIL-STD-202 F	307
Screen resistance	< 3.5 mΩ	MIL-STD-1344A	3007
Insulating resistance	> 10 ¹² Ω	MIL-STD-1344A	3003.1
VSWR (f. in GHz)	50 Ω	1.09+0.11f	IEC 169-1-1
	75 Ω	1.08+0.51f	IEC 169-1-1

Voltage Standing Wave Ratio

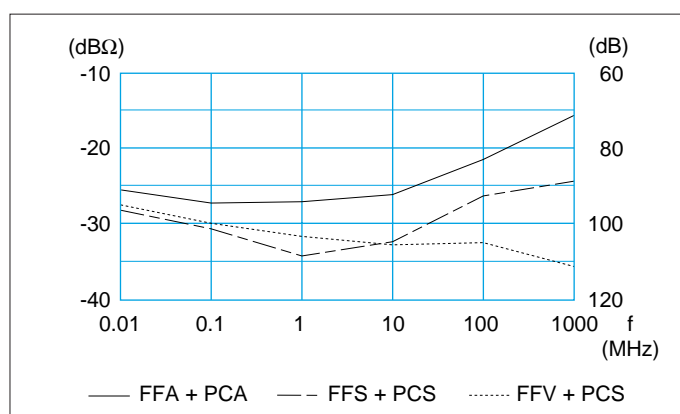
The VSWR (Voltage Standing Wave Ratio) is the value representing the power reflected in a connection. In most cases, the working frequency range is where VSWR ≤ 1.25



Note: value for FFS plug and PCS socket mated (with PTFE insulator). Impedance measured under 50 Ω with a RG-174 A/U cable or under 75 Ω with a RG-179 B/U cable.

Screening efficiency (EMC properties) in dB (transfer impedance in dBohm)

The screening efficiency is the ratio between the electromagnetic field inside the connector and a power source at the outside of the connector (or vice versa).



Note: measured according to IEC-169-1-3 standard.

Recommended cables

Cable group	Standard			Other cable	Imp. (Ω)
	MIL-C-17	IEC 96-2	CCTU 10-01A		
6	RG.58 C/U	50.3.1	KX 15	Belden 8262	50 ± 2 Ω
7	RG.142 B/U				50 ± 2 Ω
3	RG.174 A/U	50.2.1	KX 3A	Belden 8216 Lemo CCH.99.281.505	50 ± 2 Ω
1	RG.178 B/U	50.1.1	KX 21A	Belden 83265	50 ± 2 Ω
2	RG.179 B/U	75.2.1			75 ± 3 Ω
5	RG.180 B/U				95 ± 5 Ω
2	RG.187 A/U	75.2.2			75 ± 3 Ω
4	RG.188 A/U	50.2.3		Belden 83269	50 ± 2 Ω
1	RG.196 A/U	50.1.2			50 ± 2 Ω
4	RG.316 /U	50.2.2	KX 22A	Belden 83284	50 ± 2 Ω
3				Dätwyler HF-2114	50 ± 2 Ω
8				Storm 421 099	50 ± 2 Ω
8				H+S G02232D-60	50 ± 2 Ω

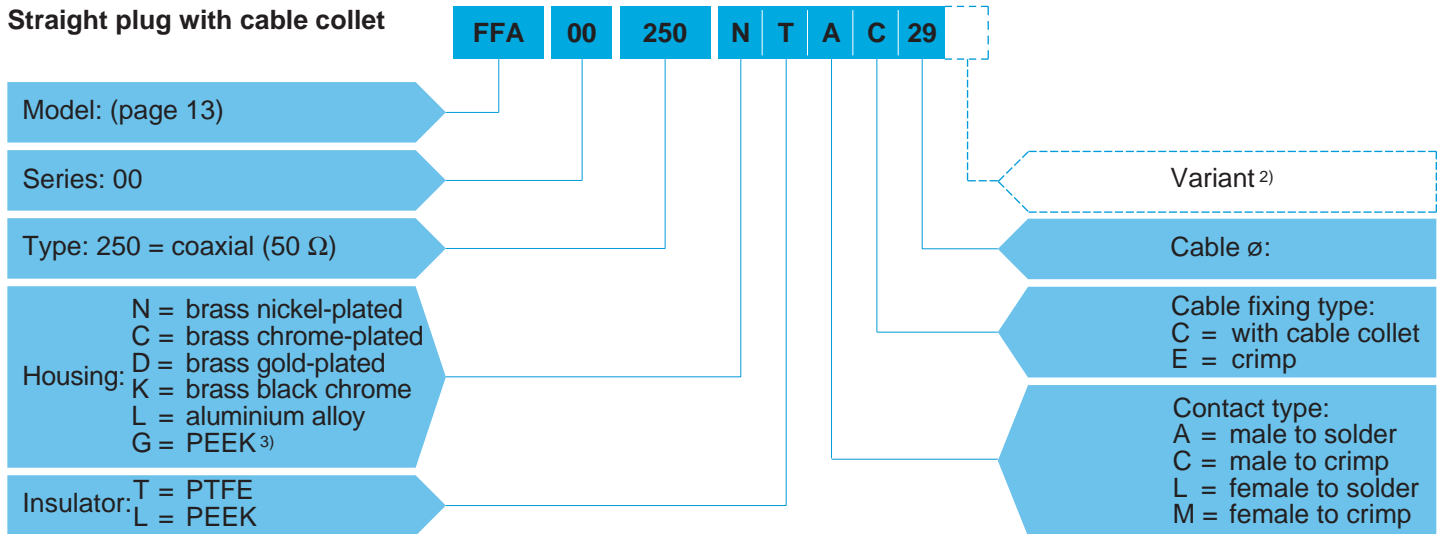
Colour of connectors in anodized aluminium alloy

When ordering a connector with an aluminium alloy, the outer shell colour must be chosen from the table variant listed below and included in the position of the part number.

Reference	Colour
A	blue
J	yellow
N	black
R	red
T	natural
V	green

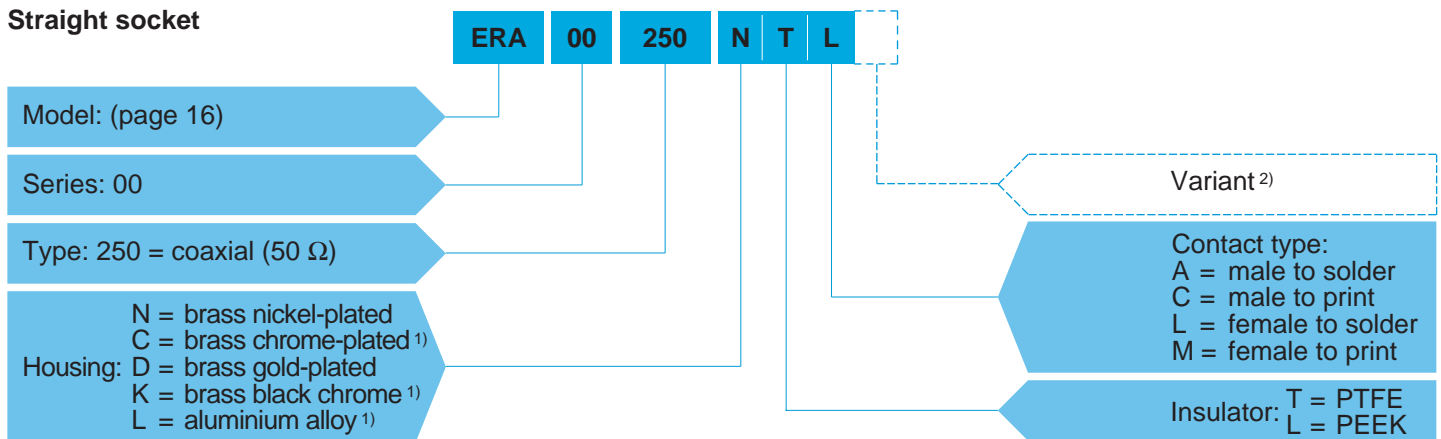
Part Number Example

Straight plug with cable collet



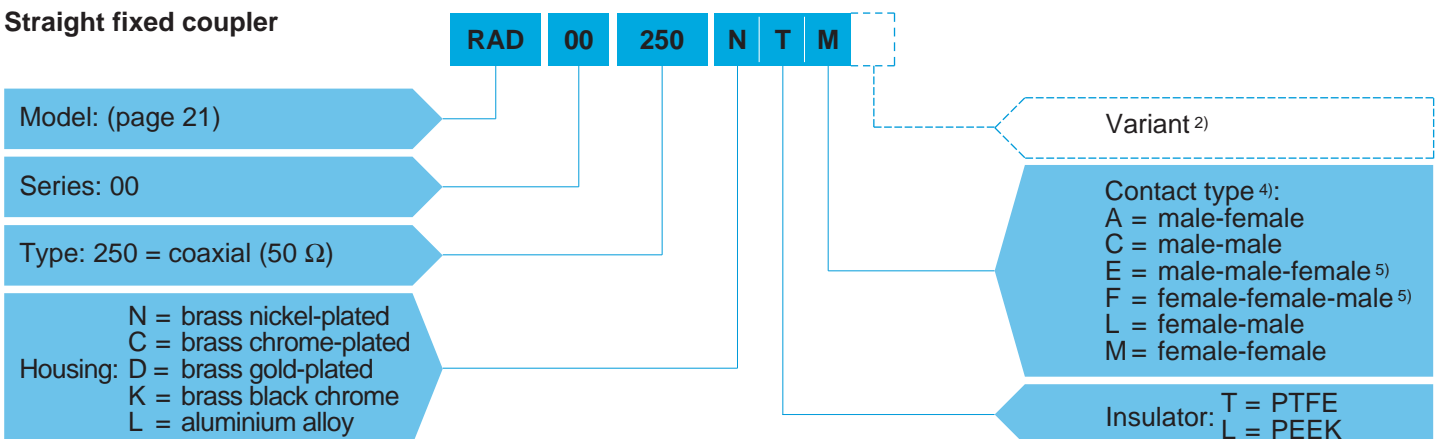
FFA.00.250.NTAC29 = straight plug with cable collet, series 00, coaxial type (50 Ω), outer shell in nickel-plated brass, PTFE insulator, male solder contact, C type collet of 2.9 mm diameter.

Straight socket



ERA.00.250.NTL = fixed socket, nut fixing, series 00, coaxial type (50 Ω), outer shell in nickel-plated brass, PTFE insulator, female solder contact.

Straight fixed coupler



RAD.00.250.NTM = straight fixed coupler, nut fixing, series 00, coaxial type (50 Ω), outer shell in nickel-plated brass, PTFE insulator, female-female contact.

Note: 1) treatment not available for the printed circuit models

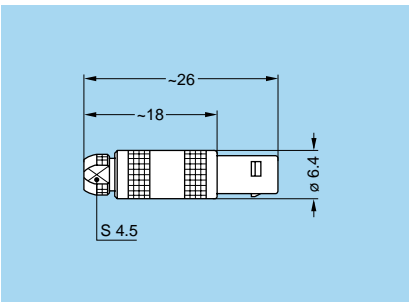
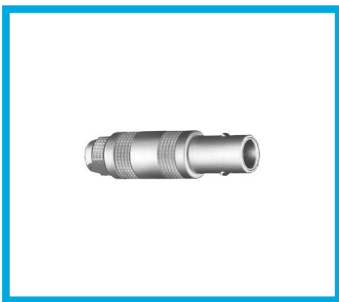
2) the "variant" position in the reference is used to specify the anodized colour of the housing in aluminium alloy (page 11) or models with a collet nut for fitting a strain relief "Z". The strain relief can be ordered separately as indicated in the "Accessories" section.

3) available for the FFA model only

4) concerning the straight fixed couplers with nut fixing RAD and SWH, the first contact type mentioned is always the contact at the flange end.

5) used only for models: FTA, FTL and FTY.

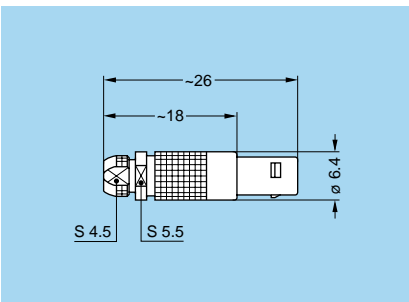
Models



FFA Straight plug with cable collet

Part number	Cable group	Note
FFA.00.250.NTAC22	1	●
FFA.00.250.NTAC29	2-3-4	●
FFA.00.250.NTAC31	8	●

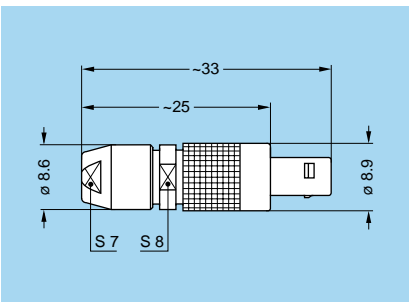
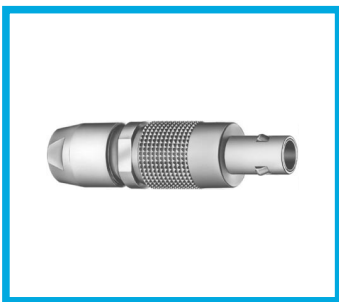
M1 Cable assembly



FFC Straight plug with flats on latch sleeve and cable collet

Part number	Cable group	Note
FFC.00.250.NTAC22	1	●
FFC.00.250.NTAC27	2-4	●
FFC.00.250.NTAC31	3-8	●

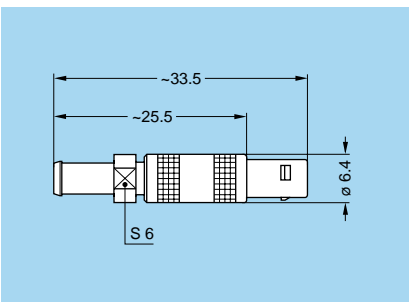
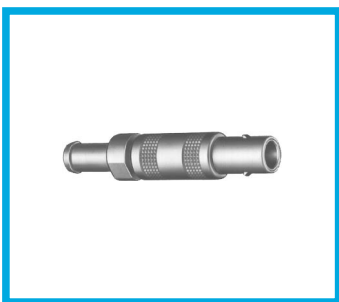
M3 Cable assembly



FFY Straight plug with cable collet

Part number	Cable group	Note
FFY.00.250.NTAC52	6-7	●

M2 Cable assembly

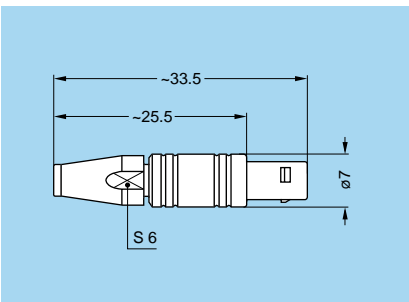


FFA Straight plug with cable collet and nut for fitting a strain relief

Part number	Cable group	Note
FFA.00.250.NTAC22Z	1	●
FFA.00.250.NTAC29Z	2-3-4	●
FFA.00.250.NTAC31Z	8	●

Note: the strain relief must be ordered separately (see page 29).

M1 Cable assembly

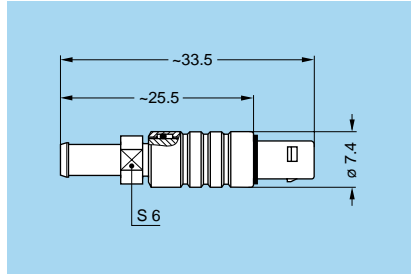
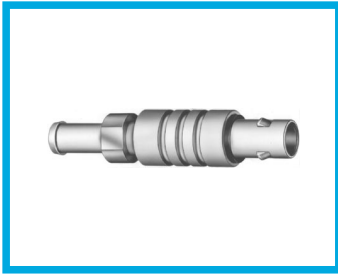


FFA Straight plug with cable collet, PEEK outer shell

Part number	Cable group	Note
FFA.00.250.GTAC22	1	●
FFA.00.250.GTAC29	2-3-4	●
FFA.00.250.GTAC31	8	●

M1 Cable assembly

● Available ○ On request

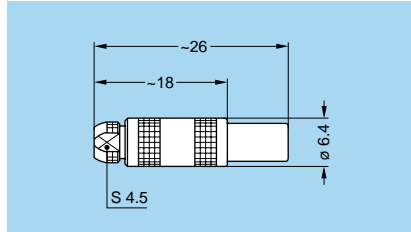
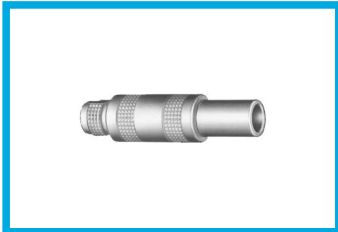


FFE Straight plug with front sealing ring, cable collet and nut for fitting a strain relief

Part number	Cable group	Note
FFE.00.250.NTAC22Z	1	○
FFE.00.250.NTAC29Z	2-3-4	○
FFE.00.250.NTAC31Z	8	○

Note: the strain relief must be ordered separately (see page 29).

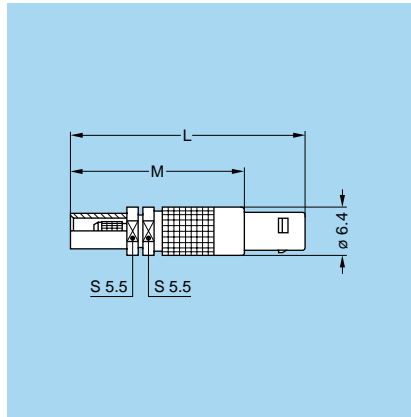
M1 Cable assembly



FFF Straight plug, non-latching, with cable collet

Part number	Cable group	Note
FFF.00.250.NTAC22	1	●
FFF.00.250.NTAC29	2-3-4	●
FFF.00.250.NTAC31	8	●

M1 Cable assembly



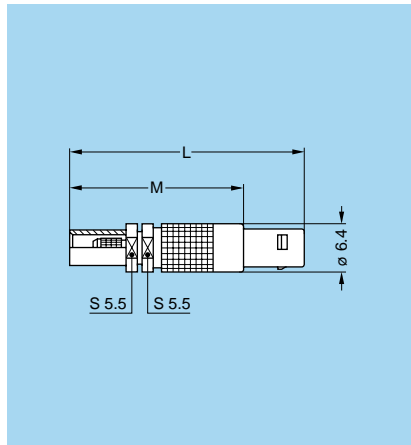
FFS Straight plug with cable crimping

Part number	Cable group	Dim.		Note
		L	M	
FFS.00.250.NTCE24	1	31	23	●
FFS.00.250.NTCE30	2	31	23	●
FFS.00.250.NTCE31	3-4	31	23	●
FFS.00.250.NTCE35	8	31	23	○
FFS.00.250.NTCE44	5	31	23	●
FFS.00.250.NTCE52	6	34	26	●
FFS.00.250.NTCE56	7	31	23	○

Note: the strain relief must be ordered separately (see page 29).

M4 Cable assembly, crimp contact

M5 Cable assembly, solder contact (on request)



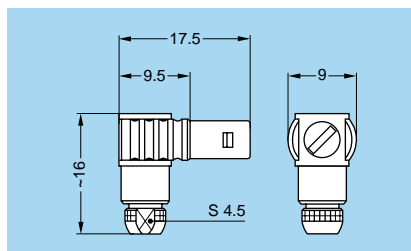
FFV Straight plug for cable crimping with improved screen efficiency

Part number	Cable group	Dim.		Note
		L	M	
FFV.00.250.NTCE24	1	31	23	○
FFV.00.250.NTCE30	2	31	23	○
FFV.00.250.NTCE31	3-4	31	23	○
FFV.00.250.NTCE35	8	31	23	●
FFV.00.250.NTCE44	5	31	23	○
FFV.00.250.NTCE52	6	34	26	○
FFV.00.250.NTCE56	7	31	23	●

Note: the strain relief must be ordered separately (see page 29).

M4 Cable assembly, crimp contact

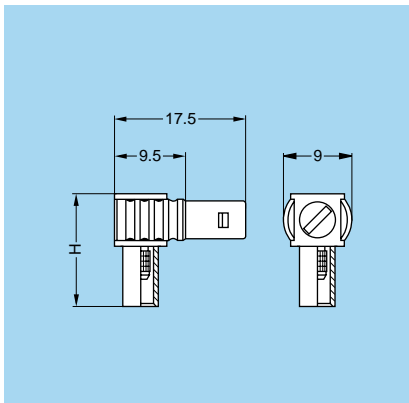
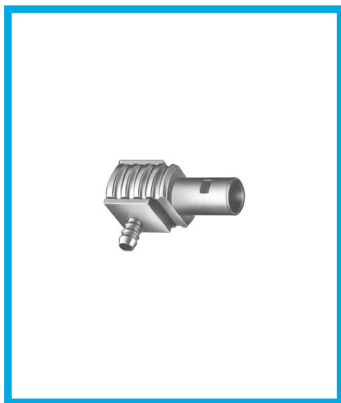
M5 Cable assembly, solder contact (on request)



FLA Elbow plug (90°) with cable collet

Part number	Cable group	Note
FLA.00.250.NTAC22	1	●
FLA.00.250.NTAC27	2-4	●
FLA.00.250.NTAC31	3-8	●

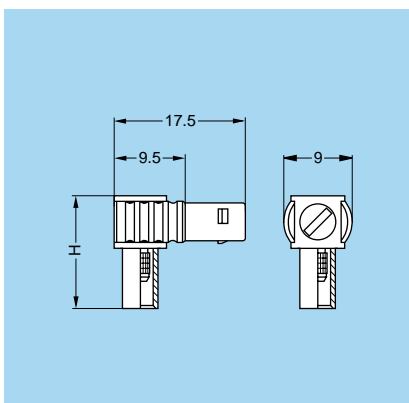
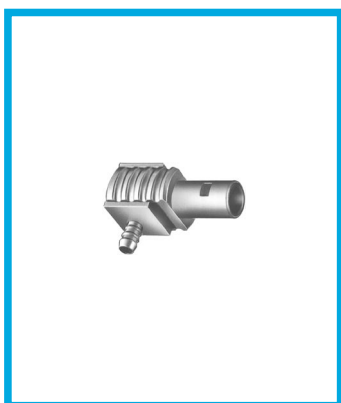
M6 Cable assembly ● Available ○ On request



FLS Elbow plug (90°) cable crimping

Part number	Cable group	H (mm)	Note
FLS.00.250.NTAE24	1	15	○
FLS.00.250.NTAE31	3-4	15	●
FLS.00.250.NTAE35	8	15	●
FLS.00.250.NTAE52	6	18	●
FLS.00.250.NTAE56	7	15	○

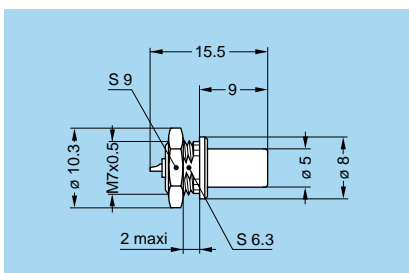
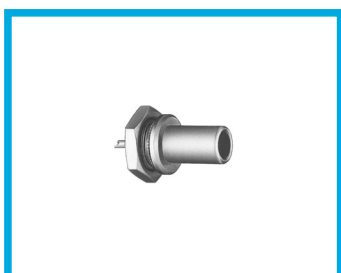
M7 Cable assembly



FLV Elbow plug (90°) cable crimping with improved screen efficiency

Part number	Cable group	H (mm)	Note
FLV.00.250.NTAE24	1	15	○
FLV.00.250.NTAE30	2	15	○
FLV.00.250.NTAE31	3-4	15	○
FLV.00.250.NTAE35	8	15	●
FLV.00.250.NTAE52	6	18	○
FLV.00.250.NTAE56	7	15	●

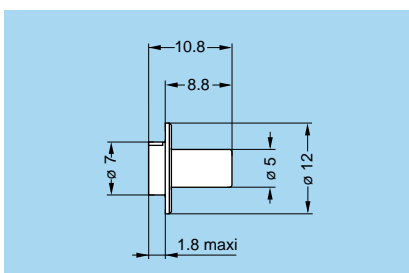
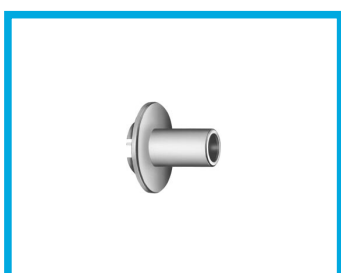
M7 Cable assembly



FAA Straight plug, non-latching, nut fixing

Part number	Weight (g)	Note
FAA.00.250.NTA	2.5	●

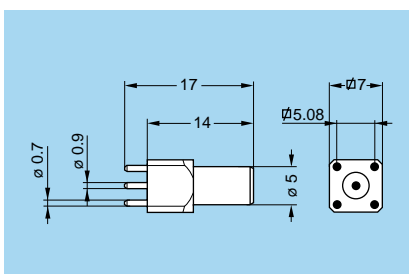
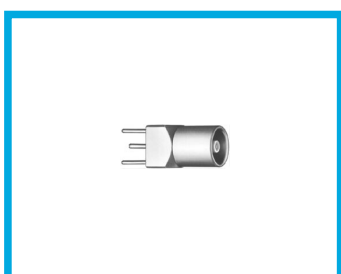
P5 Panel cut-out



FAB Straight plug, non-latching, riveted fixing

Part number	Weight (g)	Note
FAB.00.250.NTA	2.5	○

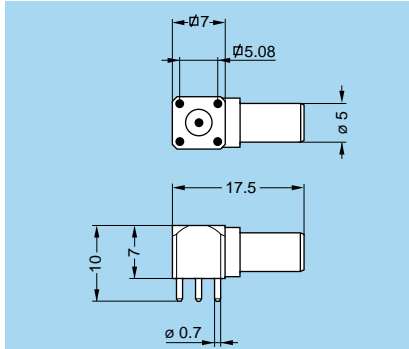
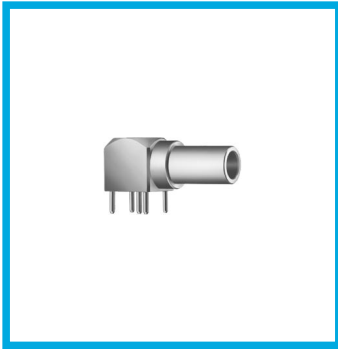
P1 Panel cut-out



FPA Straight plug, non-latching, for printed circuit

Part number	Weight (g)	Note
FPA.00.250.NTD	2.5	●

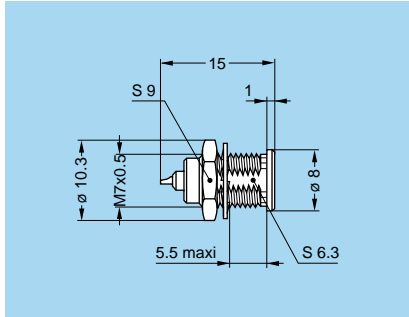
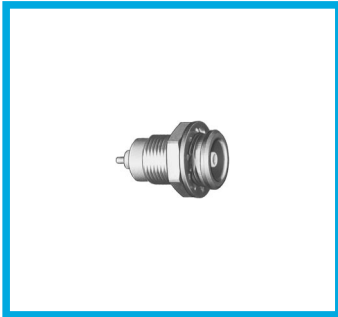
P11 PCB drilling pattern ● Available ○ On request



FPL Elbow plug (90°), non-latching for printed circuit

Part number	Weight (g)	Note
FPL.00.250.NTD	2.5	●

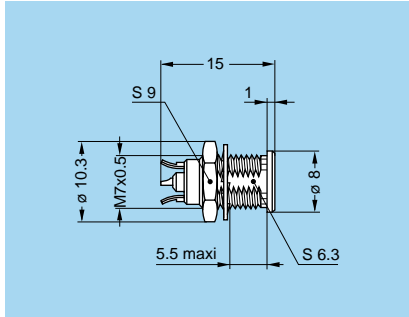
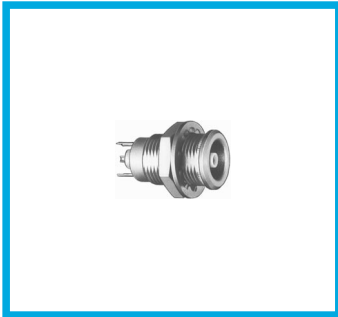
P10 PCB drilling pattern



ERA Fixed socket, nut fixing

Part number	Weight (g)	Note
ERA.00.250.NTL	2.8	●

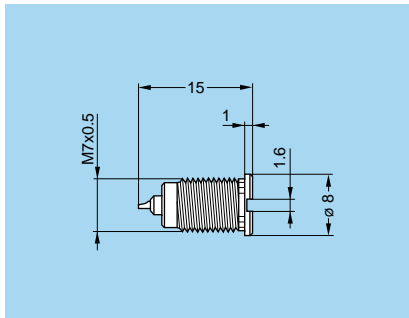
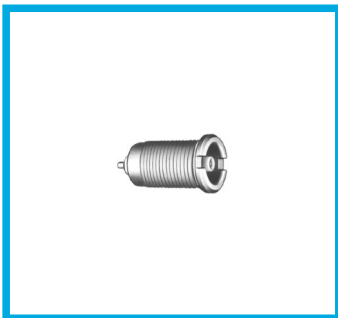
P5 Panel cut-out



ERN Fixed socket, nut fixing, with earthing tags

Part number	Weight (g)	Note
ERN.00.250.NTL	2.8	●

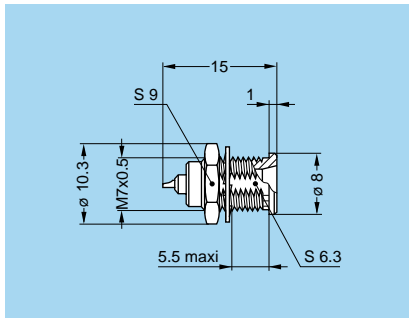
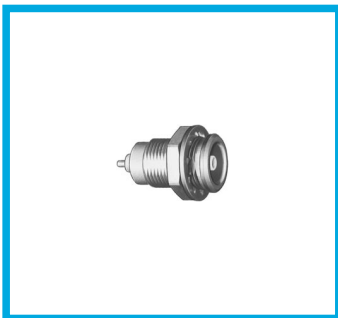
P5 Panel cut-out



ERC Fixed socket, nut fixing, with slots in flange

Part number	Weight (g)	Note
ERC.00.250.NTL	2.2	●

P3 Panel cut-out

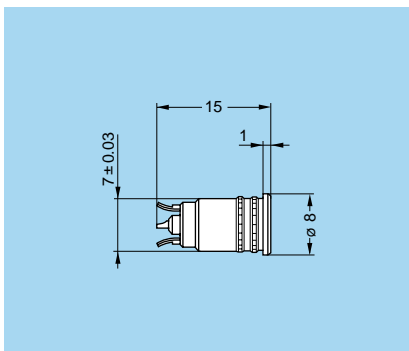


ERE Fixed socket, nut fixing, with conical lead-in

Part number	Weight (g)	Note
ERE.00.250.NTL	2.8	●

P5 Panel cut-out

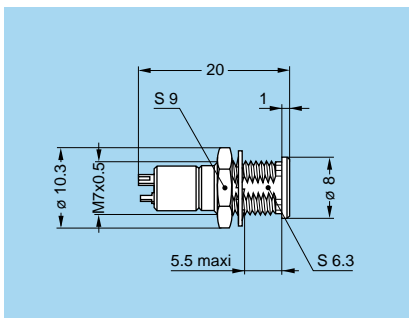
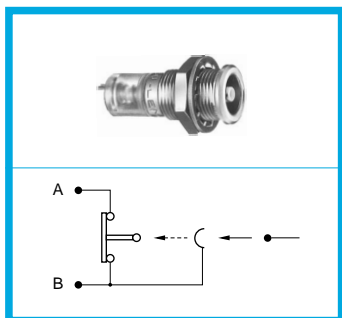
● Available ○ On request



ERT Straight socket without thread, force or adhesive fit

Part number	Weight (g)	Note
ERT.00.250.NTL	2.2	●

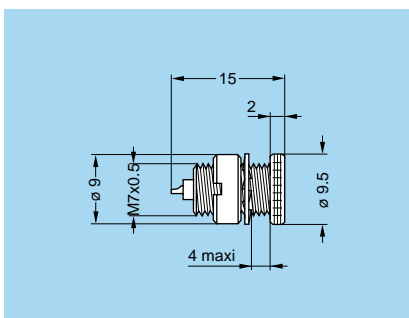
P4 Panel cut-out



ERM Fixed socket, nut fixing, with microswitch

Part number	Weight (g)	Note
ERM.00.250.NTL	3.0	●

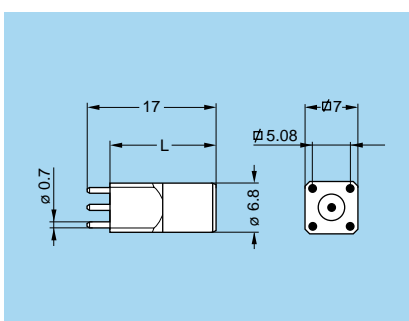
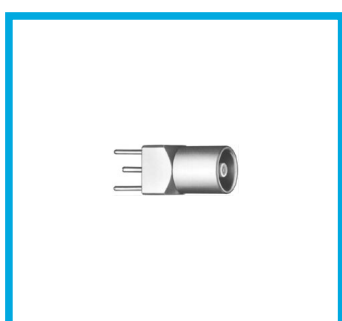
P5 Panel cut-out



ECP Fixed socket with two nuts

Part number	Weight (g)	Note
ECP.00.250.NTL	3.3	●

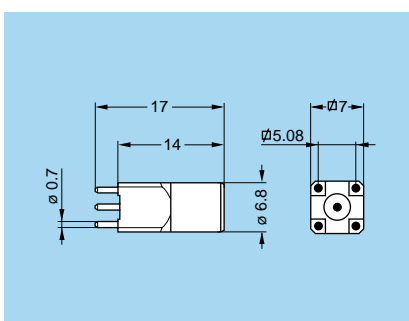
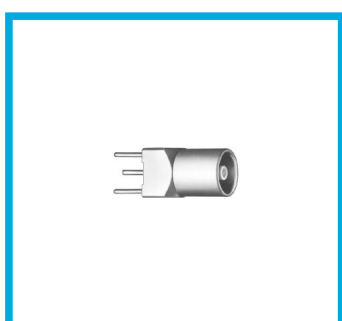
P1 Panel cut-out



EPA-EPB Straight socket for printed circuit

Part number	L (mm)	Weight (g)	Note
EPA.00.250.NTN	14	3.4	●
EPB.00.250.NTN	12	3.3	●

P10 PCB drilling pattern

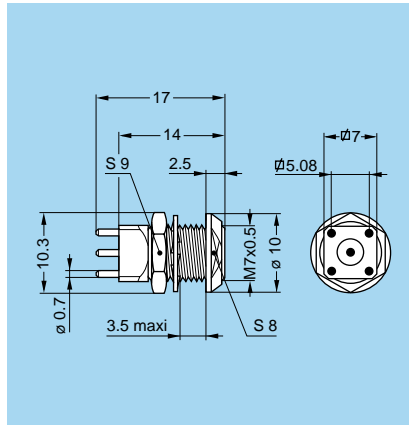
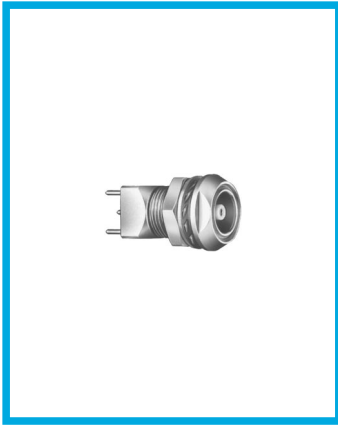


EPC Straight socket for printed circuit with clearance under the body

Part number	Weight (g)	Note
EPC.00.250.NTN	3.3	●

P10 PCB drilling pattern

● Available ○ On request

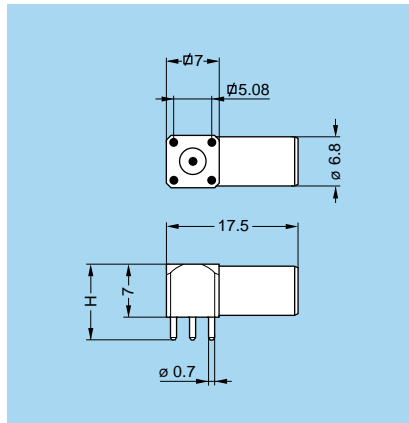
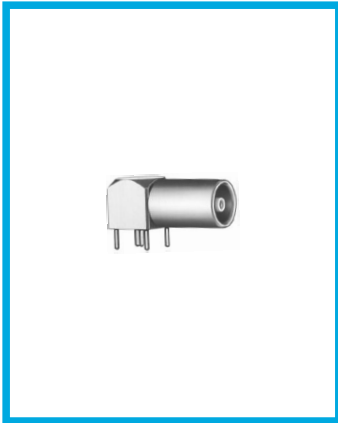


EPE Fixed socket with two nuts, for printed circuit

Part number	Weight (g)	Note
EPE.00.250.NTN	4.2	●

P1 Panel cut-out

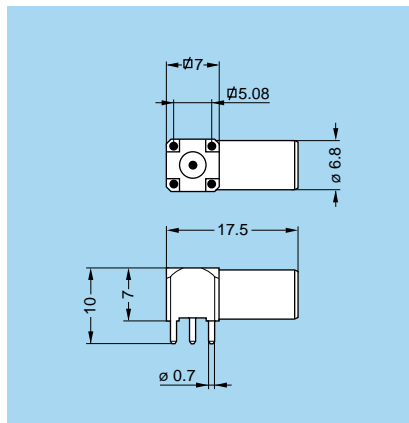
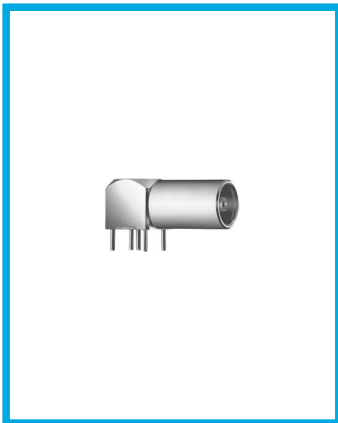
P12 PCB drilling pattern



EPL-EPM Elbow socket (90°) for printed circuit

Part number	H (mm)	Weight (g)	Note
EPL.00.250.NTN	10	4.3	●
EPM.00.250.NTN	13	4.5	●

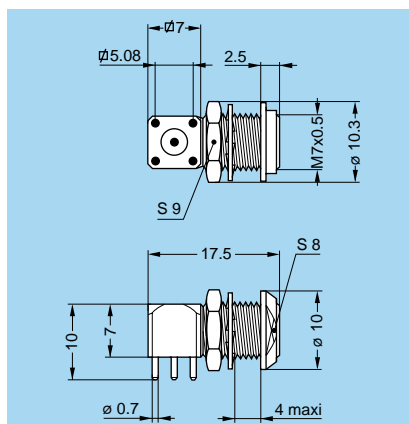
P10 PCB drilling pattern



EPK Elbow socket (90°) for printed circuit with clearance under the body

Part number	Weight (g)	Note
EPK.00.250.NTN	4.2	●

P10 PCB drilling pattern



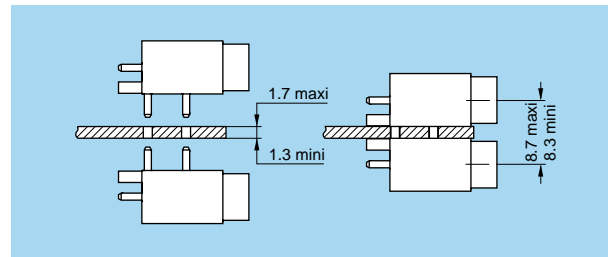
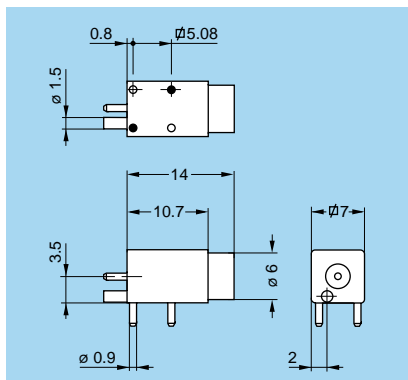
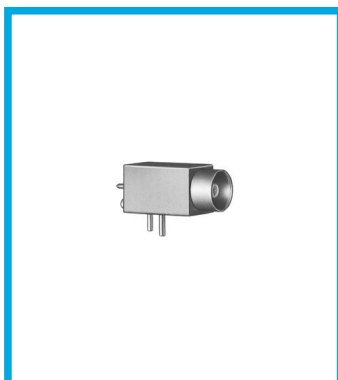
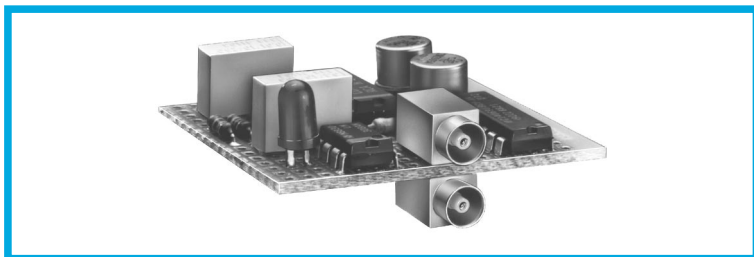
EPS Elbow socket (90°) with two nuts, for printed circuit

Part number	Weight (g)	Note
EPS.00.250.NTN	5.3	●

P1 Panel cut-out

P12 PCB drilling pattern

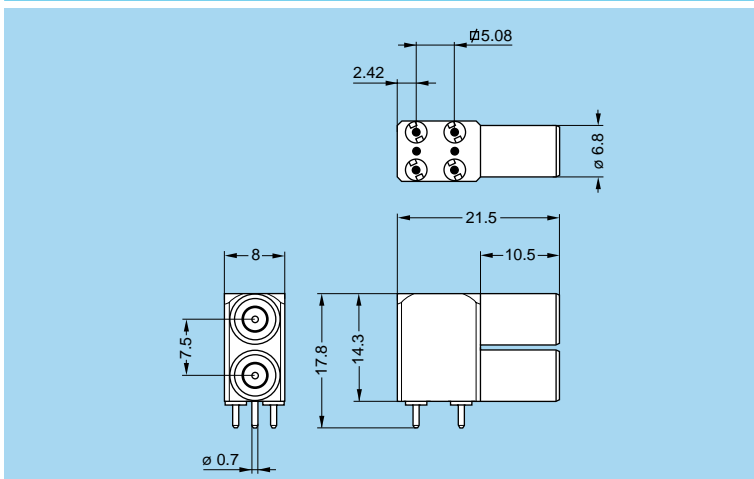
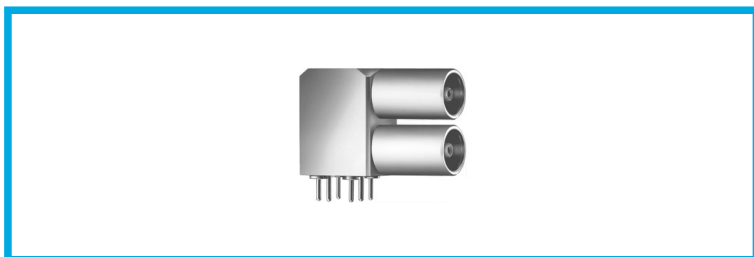
● Available ○ On request



EPN Straight socket for press mounting in pair on printed circuit

Part number	Weight (g)	Note
EPN.00.250.NTN	3.6	●

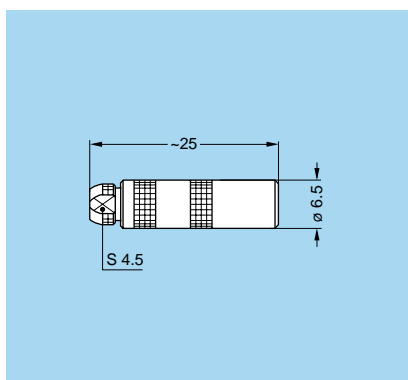
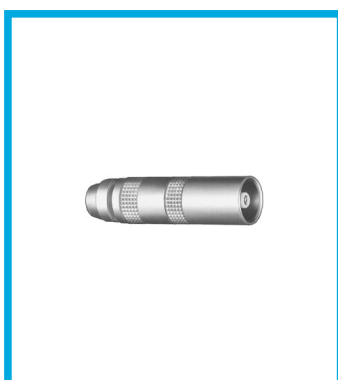
P9 PCB drilling pattern



EPY Elbow socket (90°) for printed circuit, with two vertical sockets

Part number	Weight (g)	Note
EPY.00.250.NTN	12.8	●

P13 PCB drilling pattern

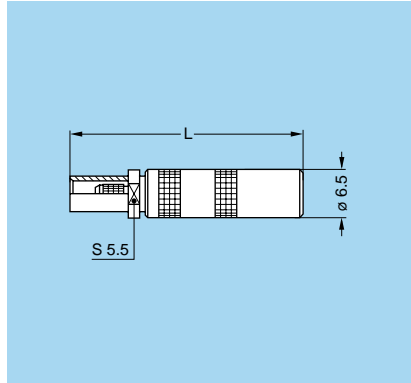


PCA Free socket with cable collet

Part number	Cable group	Note
PCA.00.250.NTLC22	1	●
PCA.00.250.NTLC29	2-3-4	●
PCA.00.250.NTLC31	8	●

M1 Cable assembly

● Available ○ On request

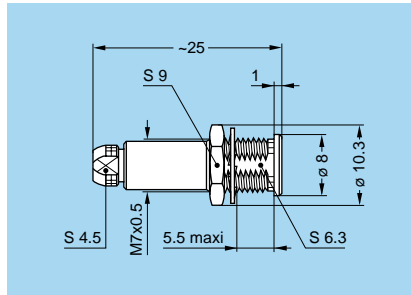
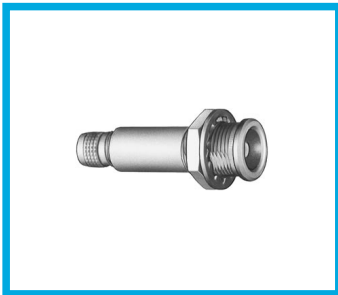


PCS Free socket with cable crimping

Part number	Cable group	Dim. L	Note
PCS.00.250.NTME24	1	30	●
PCS.00.250.NTME30	2	30	●
PCS.00.250.NTME31	3-4	30	●
PCS.00.250.NTME35	8	30	○
PCS.00.250.NTME44	5	30	●
PCS.00.250.NTME52	6	33	●

Note: the strain relief must be ordered separately (see page 29).

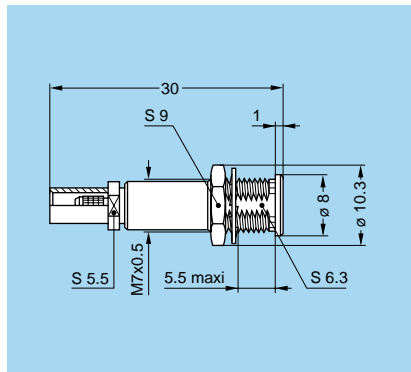
- M4** Cable assembly, crimp contact
- M5** Cable assembly, solder contact (on request)



PSA Fixed socket, nut fixing, with cable collet

Part number	Cable group	Note
PSA.00.250.NTLC22	1	●
PSA.00.250.NTLC29	2-3-4	●
PSA.00.250.NTLC31	8	●

- M1** Cable assembly
- P5** Panel cut-out

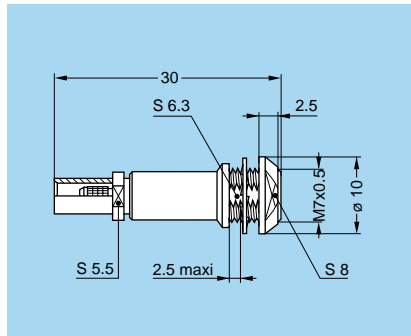
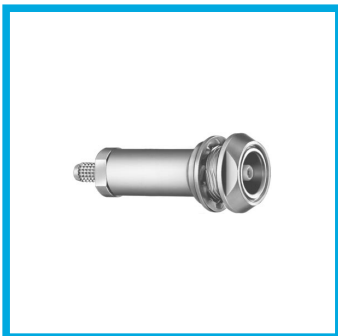


PSS Fixed socket, nut fixing, with cable crimping

Part number	Cable group	Note
PSS.00.250.NTME24	1	●
PSS.00.250.NTME30	2	●
PSS.00.250.NTME31	3-4	●
PSS.00.250.NTME35	8	○

Note: the strain relief must be ordered separately (see page 29).

- M4** Cable assembly, crimp contact
- M5** Cable assembly, solder contact (on request)
- P5** Panel cut-out

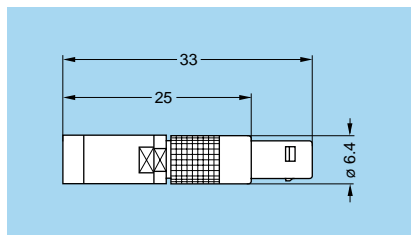


PES Fixed socket, nut fixing, with cable crimping (back panel mounting)

Part number	Cable group	Note
PES.00.250.NTME31	3-4	●
PES.00.250.NTME35	8	●

Note: the strain relief must be ordered separately (see page 29).

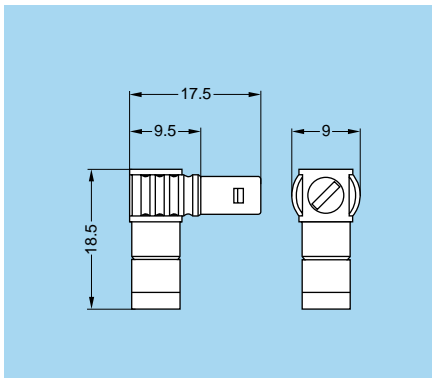
- M4** Cable assembly, crimp contact
- M5** Cable assembly, solder contact (on request)
- P5** Panel cut-out



FRT Straight plug with resistor or shorted

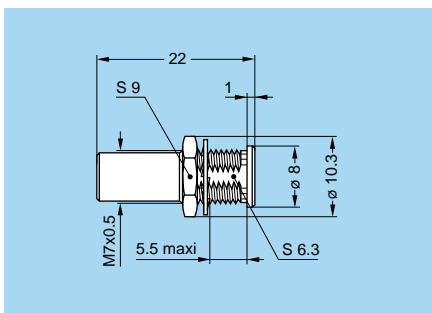
Part number	Resistor	Weight (g)	Note
FRT.00.250.NTA00	shorted	4.4	○
FRT.00.250.NTA50	50 Ω 1/8W	4.4	●

- Available
- On request



FLR Elbow plug (90°) with resistor

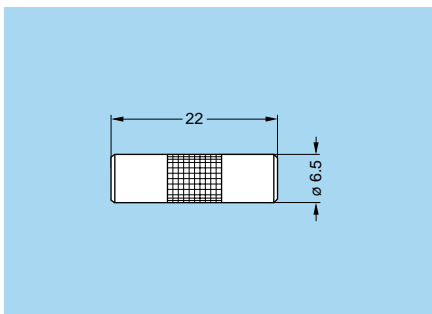
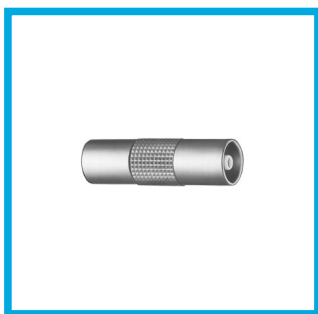
Part number	Resistor	Weight (g)	Note
FLR.00.250.NTA50	50 Ω 1/8W	5.6	●



RAD Fixed coupler, nut fixing

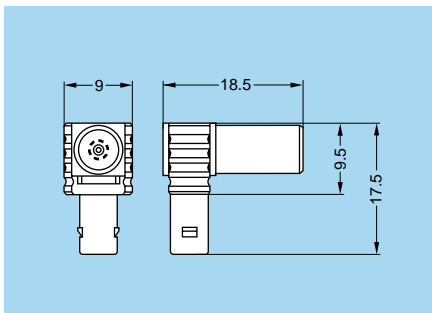
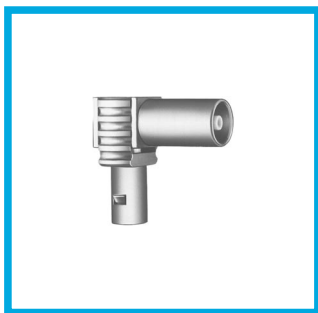
Part number	Weight (g)	Note
RAD.00.250.NTM	3.8	●

P5 Panel cut-out



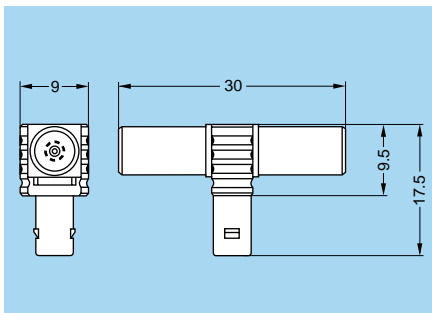
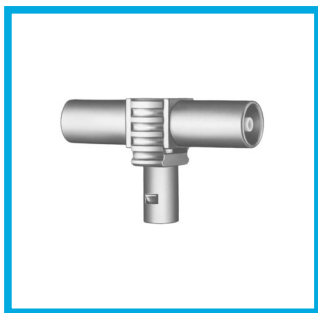
RMA Free coupler

Part number	Weight (g)	Note
RMA.00.250.NTM	2.7	●



FTR Elbow plug (90°) with socket

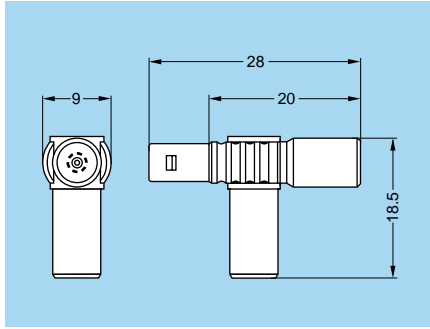
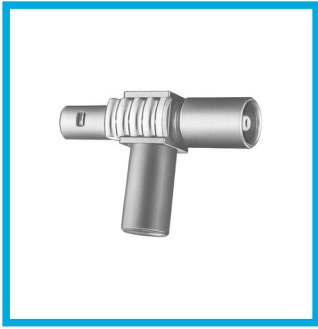
Part number	Weight (g)	Note
FTR.00.250.NTA	5.4	●



FTA T-plug with two sockets in line

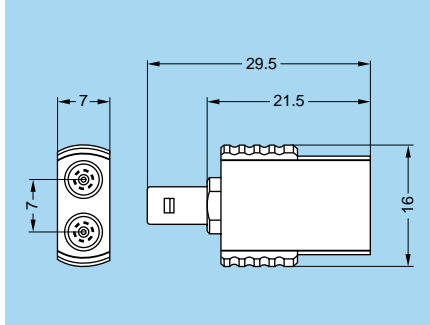
Part number	Weight (g)	Note
FTA.00.250.NTF	7.8	●

● Available ○ On request



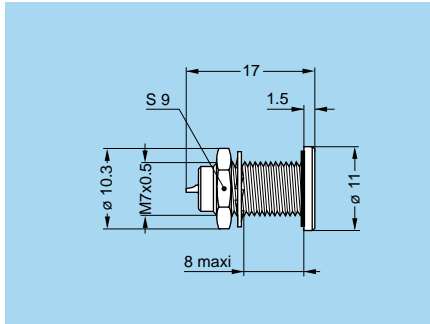
FTL T-plug with two sockets (90°)

Part number	Weight (g)	Note
FTL.00.250.NTF	7.1	●



FTY Straight plug with two parallel sockets

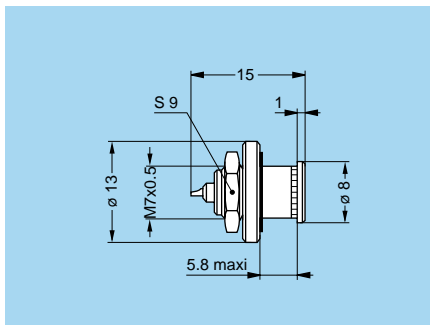
Part number	Weight (g)	Note
FTY.00.250.NTF	12.5	●



HGP Fixed socket, nut fixing, watertight

Part number	Weight (g)	Note
HGP.00.250.NTLP	4.2	●

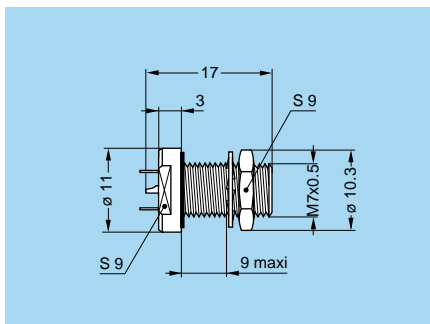
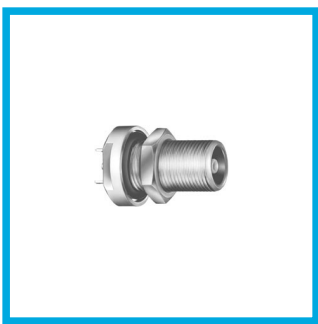
P1 Panel cut-out



HGW Fixed socket, nut fixing, with rear sealing ring

Part number	Weight (g)	Note
HGW.00.250.NTLP	4.2	●

P1 Panel cut-out

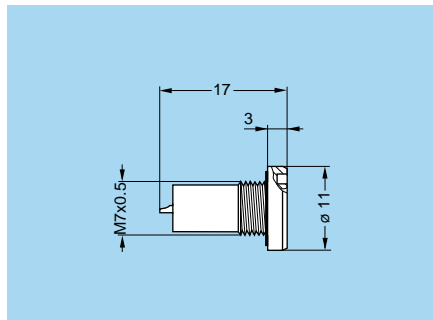
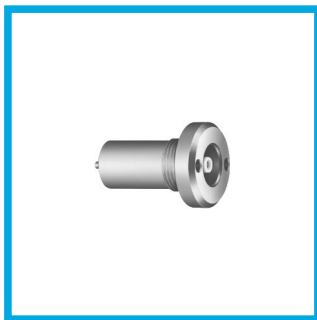


EWF Fixed socket, nut fixing, vacuumtight (back panel mounting)

Part number	Weight (g)	Note
EWF.00.250.NTLPV	4.2	●

P1 Panel cut-out

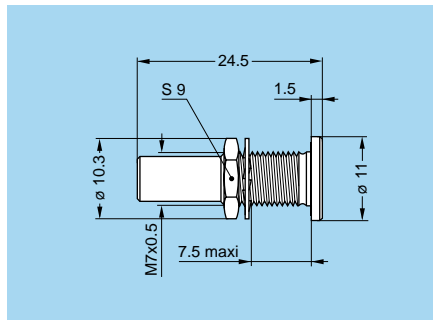
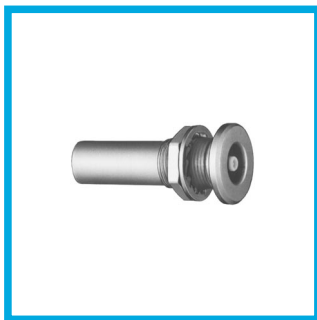
● Available ○ On request



EWW Fixed socket, vacuumtight

Part number	Weight (g)	Note
EWW.00.250.NTLPV	3.7	●

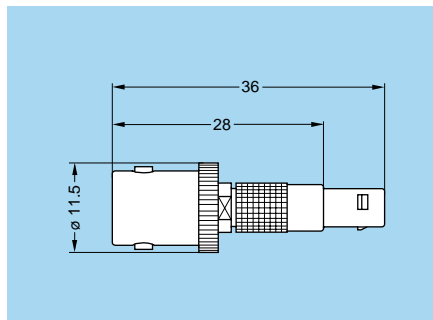
P2 Panel cut-out



SWH Fixed coupler, nut fixing, vacuumtight

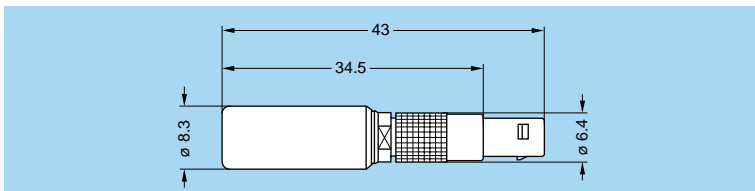
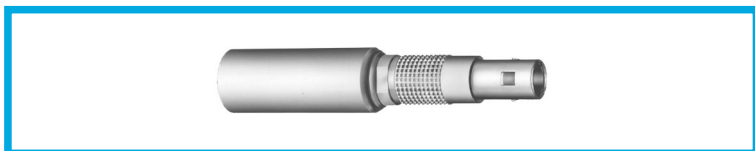
Part number	Weight (g)	Note
SWH.00.250.NTMV	5.2	●

P1 Panel cut-out



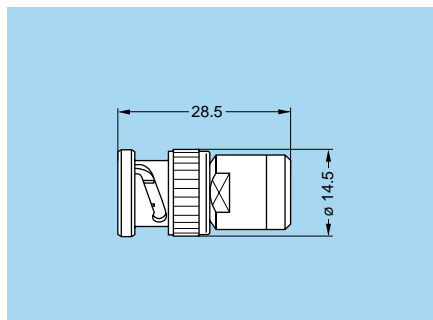
ABF Adaptor from LEMO plug to BNC socket

Part number	Weight (g)	Note
ABF.00.250.NTA	8.3	●



APF Adaptor from LEMO plug to CINCH socket

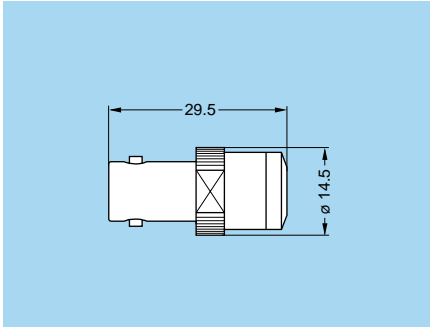
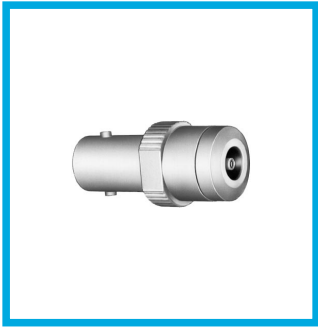
Part number	Colour of the ring	Weight (g)	Note
APF.00.250.DTAB	white	7	●
APF.00.250.DTAR	red	7	●



ABA Adaptor from LEMO socket to BNC plug

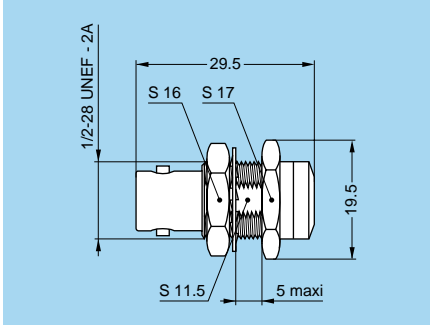
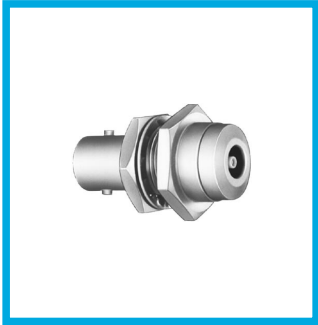
Part number	Weight (g)	Note
ABA.00.250.NTL	18.7	●

● Available ○ On request



ABC Adaptor from LEMO socket to BNC socket

Part number	Weight (g)	Note
ABC.00.250.NTM	17	●



ABD Adaptor from LEMO socket to BNC fixed socket

Part number	Weight (g)	Note
ABD.00.250.NTM	21.4	●

P7 Panel cut-out

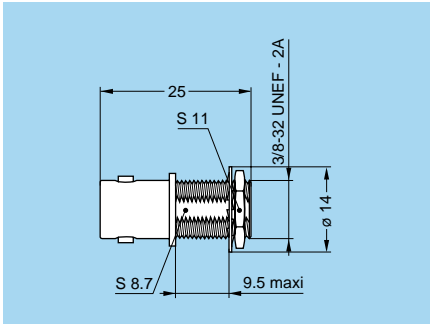
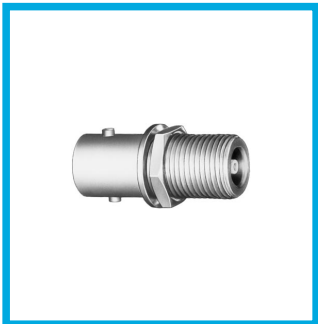
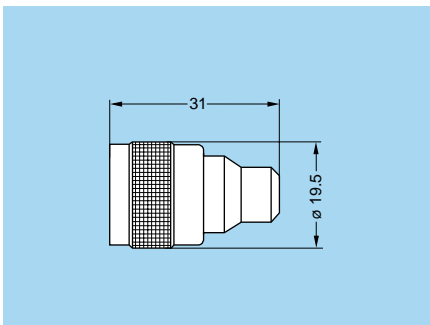


ABB Adaptor from LEMO fixed socket to BNC socket

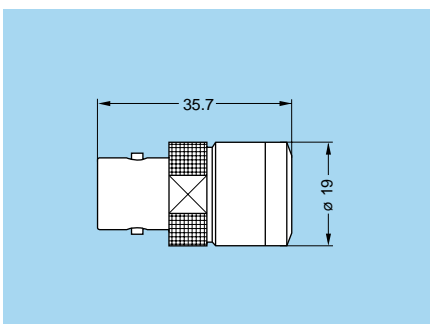
Part number	Weight (g)	Note
ABB.00.250.NTM	9.4	●

P6 Panel cut-out



ACA Adaptor from LEMO socket to C plug

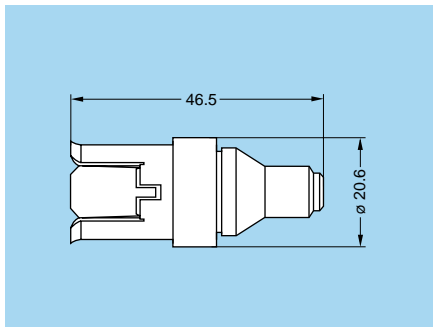
Part number	Weight (g)	Note
ACA.00.250.NTL	32	●



ACB Adaptor from LEMO socket to C socket

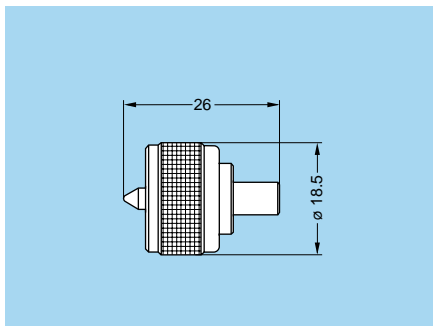
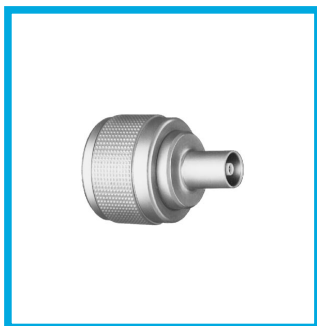
Part number	Weight (g)	Note
ACB.00.250.NTM	50.3	●

● Available ○ On request



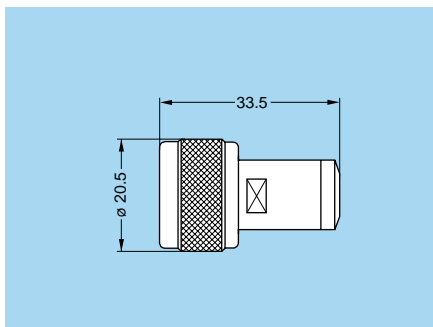
AGG Adaptor from LEMO socket to General-Radio socket type 874

Part number	Weight (g)	Note
AGG.00.250.NTM	20	●



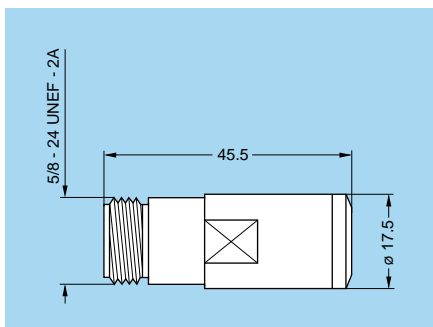
AGH Adaptor from LEMO socket to UHF plug

Part number	Weight (g)	Note
AGH.00.250.NTL	13.8	●



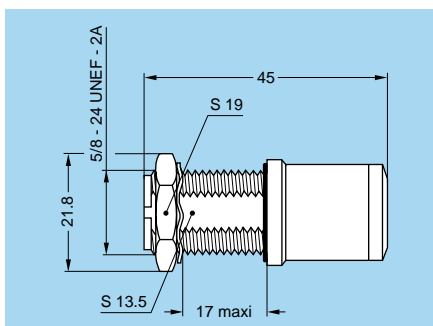
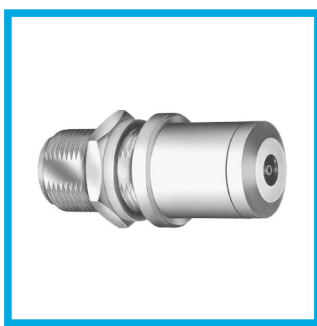
ANA Adaptor from LEMO socket to N plug

Part number	Weight (g)	Note
ANA.00.250.NTL	38	●



ANB Adaptor from LEMO socket to N socket

Part number	Weight (g)	Note
ANB.00.250.NTM	61.7	●

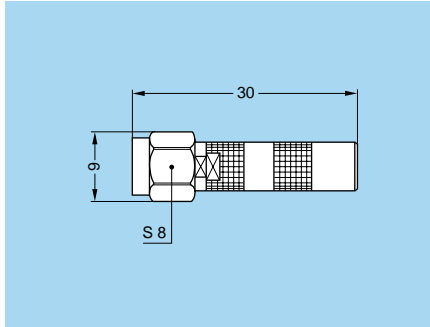
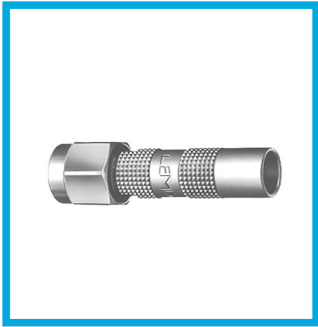


ANC Adaptor from LEMO socket to N fixed socket

Part number	Weight (g)	Note
ANC.00.250.NTM	63.5	●

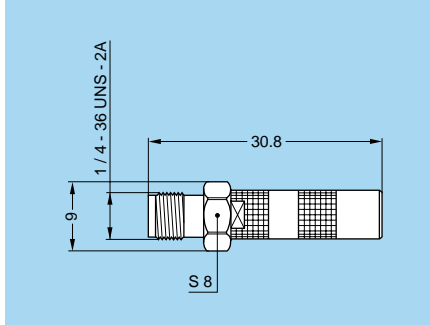
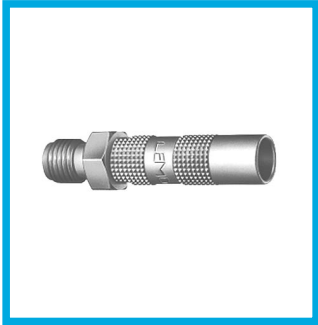
P8 Panel cut-out

● Available ○ On request



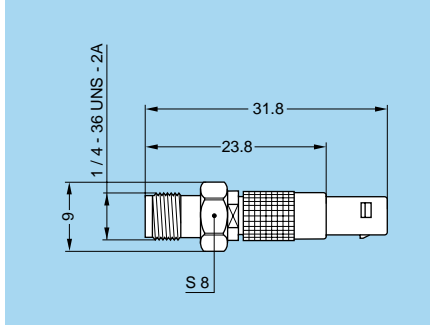
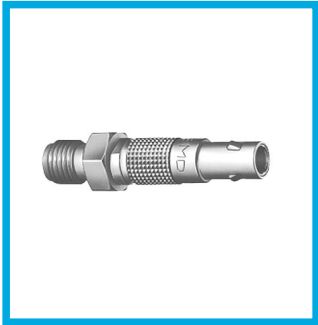
ASA Adaptor from LEMO socket to SMA plug

Part number	Weight (g)	Note
ASA.00.250.NTL	4.9	●



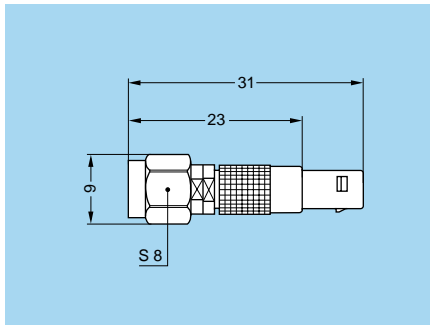
ASB Adaptor from LEMO socket to SMA socket

Part number	Weight (g)	Note
ASB.00.250.NTM	4.6	●



ASF Adaptor from LEMO plug to SMA socket

Part number	Weight (g)	Note
ASF.00.250.NTA	4.6	●

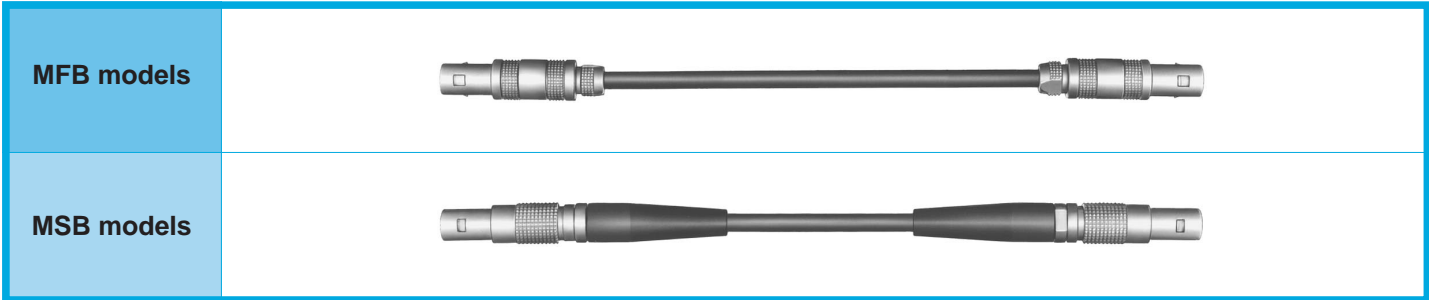


ASG Adaptor from LEMO plug to SMA plug

Part number	Weight (g)	Note
ASG.00.250.NTC	4.9	●

● Available ○ On request

Assembled Cables



Delay lines

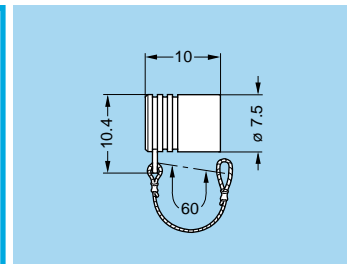
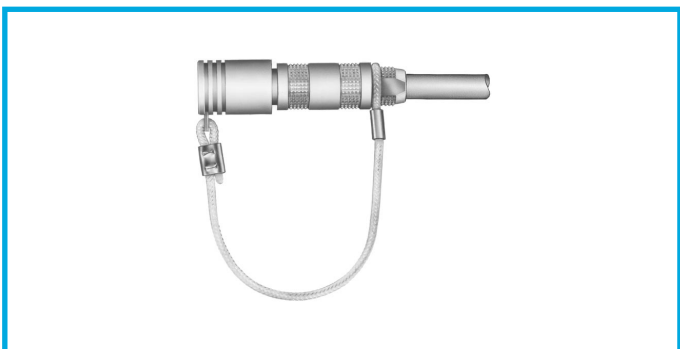
Part number	Delay (ns)	Part number
MFB.00.250.RTE005	0.5	MSB.00.250.RTE005
MFB.00.250.RTE010	1.0	MSB.00.250.RTE010
MFB.00.250.RTE020	2.0	MSB.00.250.RTE020
MFB.00.250.RTE030	3.0	MSB.00.250.RTE030
MFB.00.250.RTE040	4.0	MSB.00.250.RTE040
MFB.00.250.RTE050	5.0	MSB.00.250.RTE050
MFB.00.250.RTE060	6.0	MSB.00.250.RTE060
MFB.00.250.RTE080	8.0	MSB.00.250.RTE080
MFB.00.250.RTE100	10.0	MSB.00.250.RTE100
MFB.00.250.RTE160	16.0	MSB.00.250.RTE160
MFB.00.250.RTE200	20.0	MSB.00.250.RTE200
MFB.00.250.RTE320	32.0	MSB.00.250.RTE320
MFB.00.250.RTE640	64.0	MSB.00.250.RTE640

Assembled Cables

Part number	Length (cm)	Part number
MFB.00.250.LTE010	10	MSB.00.250.LTE010
MFB.00.250.LTE020	20	MSB.00.250.LTE020
MFB.00.250.LTE030	30	MSB.00.250.LTE030
MFB.00.250.LTE040	40	MSB.00.250.LTE040
MFB.00.250.LTE050	50	MSB.00.250.LTE050
MFB.00.250.LTE060	60	MSB.00.250.LTE060
MFB.00.250.LTE080	80	MSB.00.250.LTE080
MFB.00.250.LTE100	100	MSB.00.250.LTE100
MFB.00.250.LTE150	150	MSB.00.250.LTE150
MFB.00.250.LTE200	200	MSB.00.250.LTE200
MFB.00.250.LTE300	300	MSB.00.250.LTE300
MFB.00.250.LTE400	400	MSB.00.250.LTE400
MFB.00.250.LTE500	500	MSB.00.250.LTE500

Note: the standard cable used to manufacture these cable assemblies is CCH.99.281.505 (LEMO) as per IEC.50.2.1 standard. On request this type of cable can be replaced by other coaxial cables. Other cable lengths are available on request.

Accessories



Fitting of the cord

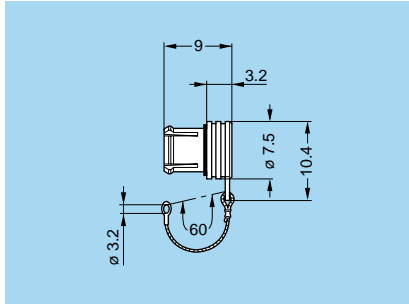
Slide the plug into the loop of the cord. Place the loop into the groove in front of the collet nut and tighten the loop.

BFA Plug Caps

Part number	Weight (g)
BFA.00.100.PCSG	0.7

Note: upon request this cap can be supplied in black and the last letter "G" of the part number should be replaced with "N".

- Body material: Polyoxymethylen (POM) grey
- Cord material: Polyamid 6, white
- O-ring material: Silicone rubber
- Maximum operating temperature: 100°C
- Watertightness: IP61 according to IEC 529



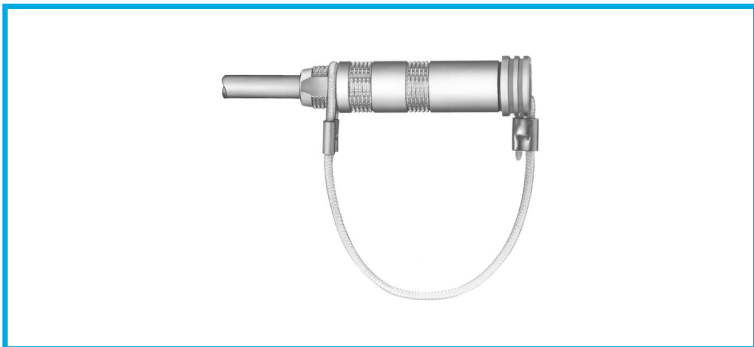
- Body material: Polyoxymethylen (POM) grey
- Cord material: Polyamid 6, white

BRA Blanking cap for fixed socket and free straight socket

Part number	Weight (g)
BRA.00.200.PCSG	0.6

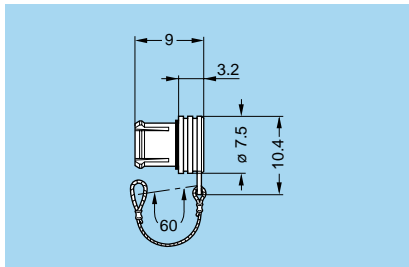
Note: upon request this cap can be supplied in black and the last letter "G" of the part number should be replaced with "N".

- O-ring material: Silicone rubber
- Maximum operating temperature: 100°C
- Watertightness: IP61 according to IEC 529



Fitting of the cord

Slide the socket into the loop of the cord. Place the loop into the groove in front of the collet nut and tighten the loop.

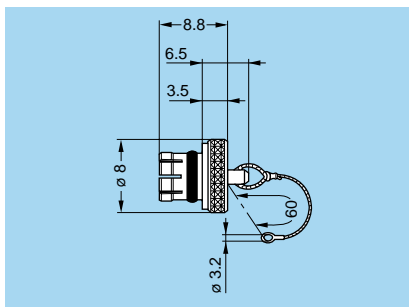


BRD Blanking cap for free socket

Part number	Weight (g)
BRD.00.200.PCSG	0.5

Note: upon request this cap can be supplied in black and the last letter "G" of the part number should be replaced with "N".

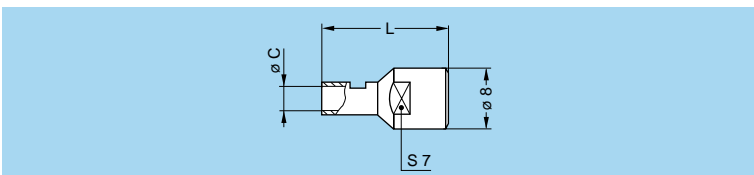
- Body material: Polyoxymethylen (POM) grey
- Cord material: Polyamid 6, white
- O-ring material: Silicone rubber
- Maximum operating temperature: 100°C
- Watertightness: IP61 according to IEC 529



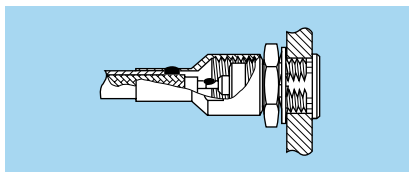
BRE Blanking cap for fixed socket, free socket and coupler

Part number	Weight (g)
BRE.00.200.NAS	6.5

- Body material: Brass (UNS C 38500), nickel-plated (3 µm)
- Cable material: Stainless steel
- O-ring material: Silicone rubber or FPM
- Maximum operating temperature: 250°C
- Watertightness: IP61 according to IEC 529



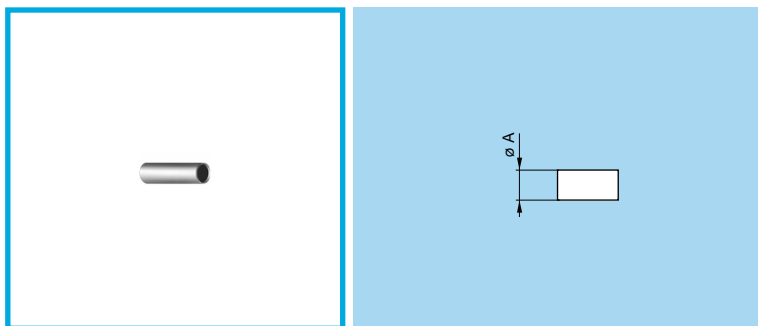
GCD Earthing cap



Part number	Cable group	Dim.	
		L	C
GCD.00.020.LA	1	12	2.0
GCD.00.032.LA	2-3-4	16	3.2
GCD.00.050.LA	6	19	5.0

Note: the shield braid of the cable should be soldered onto the back of the cap screwed on the socket outer shell.

- Material: Brass (UNS C 38500) gold-plated (0.5 µm)

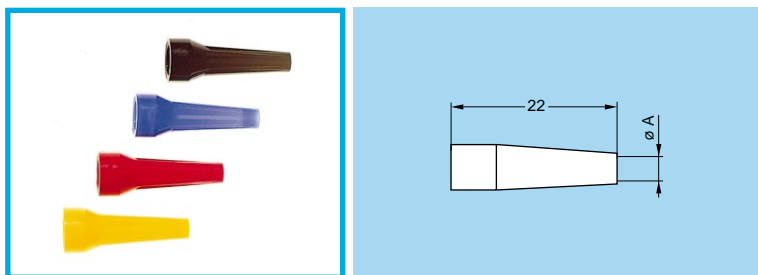


- Material: Copper (UNS C 18700) nickel-plated (3 μ m)

FFS Crimp ferrule

Part number	Cable group	Dim.
		$\varnothing A$
FFS.00.160.DN	1	3.1
FFS.00.161.MN	2-3-4	3.8
FFS.00.162.DN	8	4.4
FFS.00.163.DN	5	5.3
FFS.00.164.DN	6	6.2
FFV.00.160.DN	7	6.3

Note: sockets and plugs to be crimped are always supplied with a crimp ferrule. To order this accessory separately, use the above part numbers.



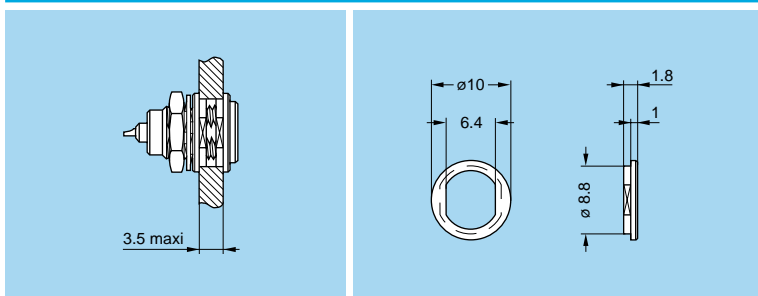
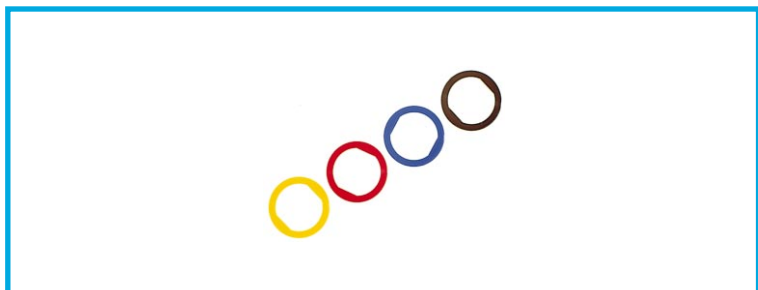
Ref.	Colour	Ref.	Colour	Ref.	Colour
A	blue	J	yellow	R	red
B	white	M	brown	S	orange
G	grey	N	black	V	green

GMB Strain relief

Part number	\varnothing Cable		Dim. A	Nut for fitting the strain relief part nb
	max	min		
GMB.00.025.DG	2.8	2.5	2.5	FFM.00.130.LN
GMB.00.028.DG	3.1	2.8	2.8	FFM.00.130.LN
GMB.00.032.DG	3.5	3.2	3.2	FFM.00.130.LN

Note:
a) for use with all crimp models and nut for fitting a strain relief
b) the last letter of the part number "G" specifies the colour grey. Refer to the table to the left to define another colour and replace the letter "G" by the one corresponding to the colour required.

- Material: Polyurethan (Desmopan 786)
- Operating temperature: -40°C + 80°C



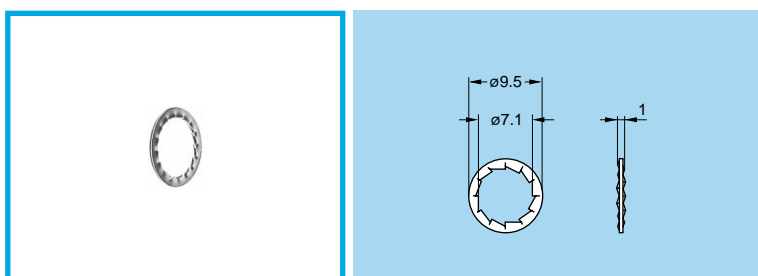
GRA Insulating washers

Part number	Weight (g)
GRA.00.269.GG	0.1

Note:
a) sockets and plugs mounted on panels can be fitted with insulating washers. The nine colours available combined with those for the strain reliefs makes colour coding possible.
b) the last letter of the part number "G" specifies the colour grey. Refer to the table below to define another colour and replace the letter "G" by the one corresponding to the colour required.

- Material: Polyamid (PA.6)
- Operating temperature: -40°C + 80°C

Ref.	Colour	Ref.	Colour	Ref.	Colour
A	blue	J	yellow	R	red
B	white	M	brown	S	orange
G	grey	N	black	V	green

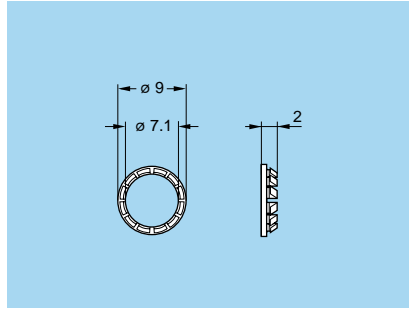
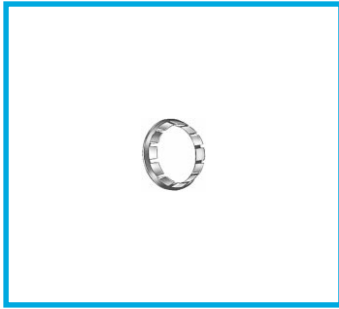


GBA Locking washer

Part number	Weight (g)
GBA.00.250.FN	0.2

Note: sockets and plugs are always supplied with a locking washer. To order this accessory separately, use the above part number.

- Material: Brass (UNS C 52100) nickel-plated (3 μ m)

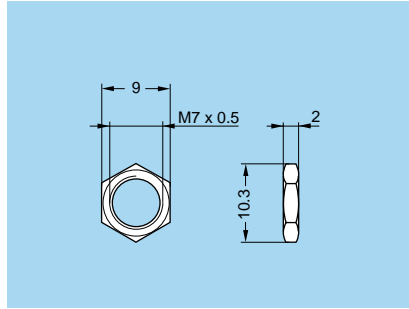


GBB Tapered washer

Part number	Weight (g)
GBB.00.250.LN	0.2

Note: to order this accessory separately, use the above part number.

- Material: Brass (UNS C 38500) nickel-plated (3 µm)

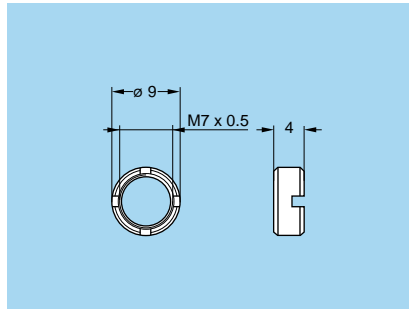


GEA Hexagonal nut

Part number	Weight (g)
GEA.00.240.LN	0.6

Note: sockets and plugs are supplied with a hexagonal nut as standard. To order this accessory separately, use the above part number. The last letters "LN" of the part number refer to the nut material and treatment. If a nut in aluminium alloy is desired, replace the last letters of the part number by "PT".

- Material:
 - Brass (UNS C 38500) nickel-plated (3 µm)
 - Aluminium alloy (AA 6012) natural anodized

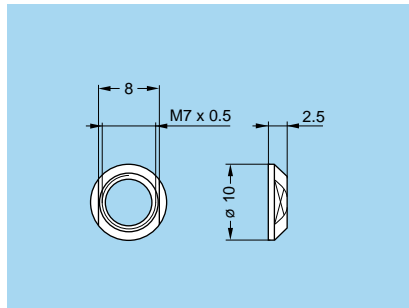
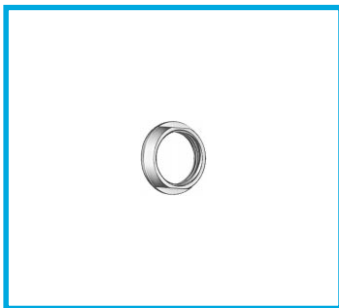


GEB Round nut

Part number	Weight (g)
GEB.00.240.LN	0.8

Note: to order this accessory separately, use the above part number.

- Material: Brass (UNS C 38500) nickel-plated (3 µm)

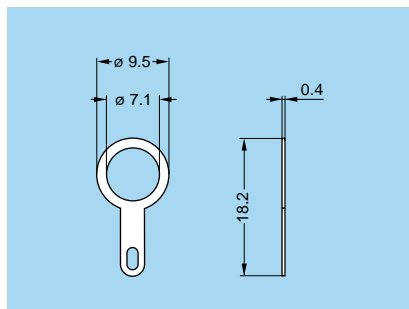


GEC Conical nut

Part number	Weight (g)
GEC.00.240.LN	0.6

Note: to order this accessory separately, use the above part number.

- Material: Brass (UNS C 38500) nickel-plated (3 µm)

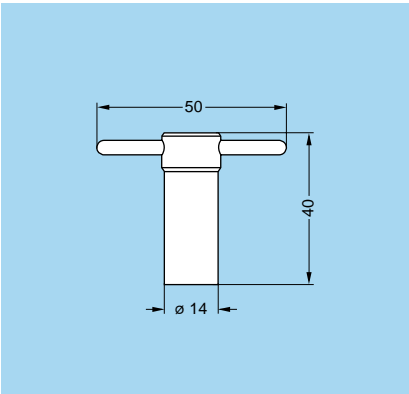


GCA Earthing Washer

Part number	Weight (g)
GCA.00.255.LT	0.2

- Material: Brass (UNS C 27400) treated CuSnZn (2 µm)

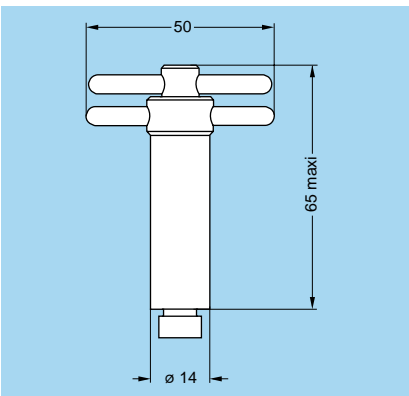
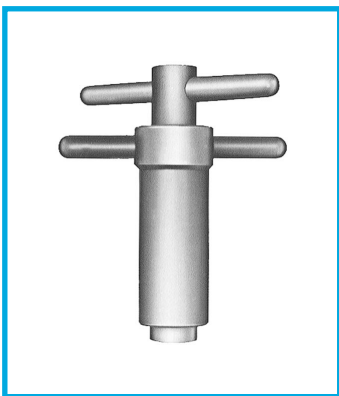
Tooling



DCG Spanner for hexagonal nut

Part number	Part number of the nut
DCG.91.149.0TN	GEA.00.240.LN

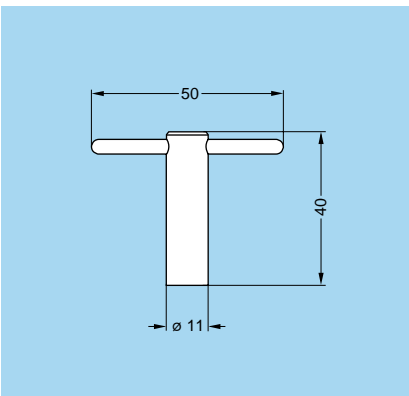
- Material: Blackened steel



DCA Spanner for hexagonal nut with locator for flats on socket thread

Part number	Part number of the nut
DCA.91.149.0TN	GEA.00.240.LN

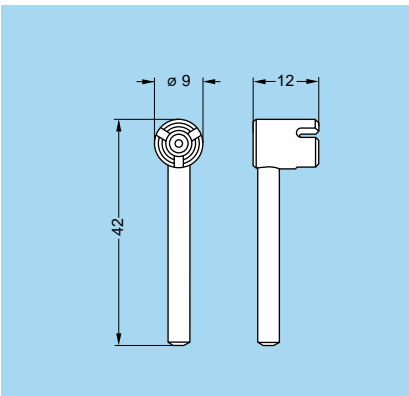
- Material: Blackened steel



DCB Spanner for round nut

Part number	Part number of the nut
DCB.91.119.0TN	GEB.00.240.LN

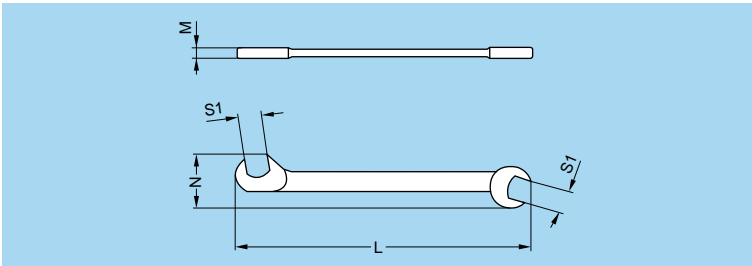
- Material: Blackened steel



DCN Spanner for assembling plug with 3 latches

Part number
DCN.91.905.0TK

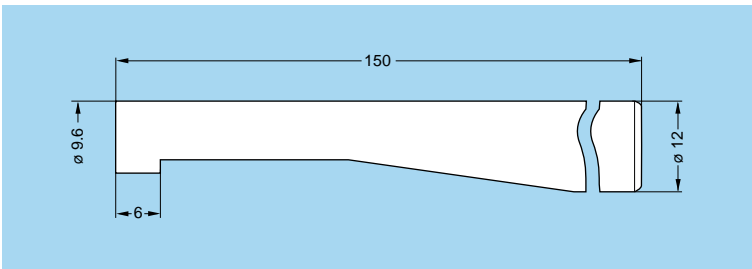
- Material: Blackened steel



DCP Flat spanner for collet nut

Part number	Dimensions			
	L	M	N	S1
DCP.99.045.TC	70	2	10.5	4.5
DCP.99.050.TC	78	2	12.6	5.0
DCP.99.055.TC	78	2	12.6	5.5
DCP.99.060.TC	78	2	12.6	6.0

- Material: Chrome-plated steel

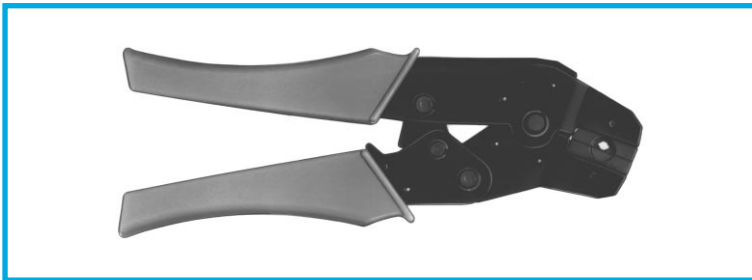


DCR Extraction tool for plugs

Part number
DCR.91.106.PT

- Material: Aluminium alloy

Note: this type of tool has been produced in order to facilitate the mating and unmating of plugs and is particularly useful in high density applications.



DPE Crimping tool with die

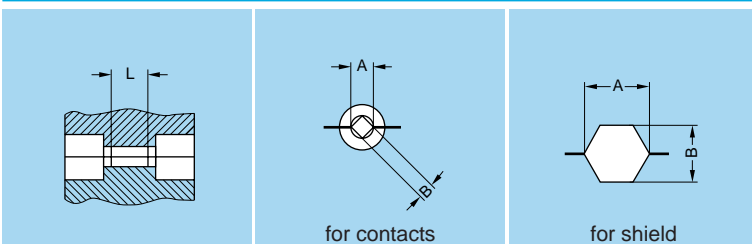
Part number	Cable group
DPE.99.123.1K	1
DPE.99.123.8K	2-3-4
DPE.99.124.3K	8
DPE.99.125.2K	5
DPE.99.176.2K	6-7



DPN Dies

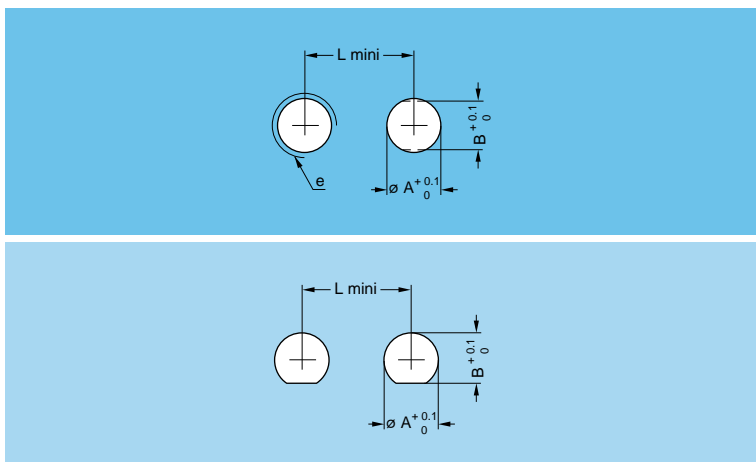
Part number	Cable group	Die dimension				
		For contacts			For shield	
		A	B	L	A	B
DPN.99.123.1K	1	1.29	0.91	2.0	3.10	2.70
DPN.99.123.8K	2-3-4	1.29	0.91	2.0	3.80	3.30
DPN.99.124.3K	8	1.29	0.91	2.0	4.36	3.78
DPN.99.125.2K	5	1.29	0.91	2.0	5.20	4.50
DPN.99.176.2K	6-7	1.71	1.21	2.5	6.20	5.37

- Dies material: Blackened steel



Cut-Out

Panel cut-out

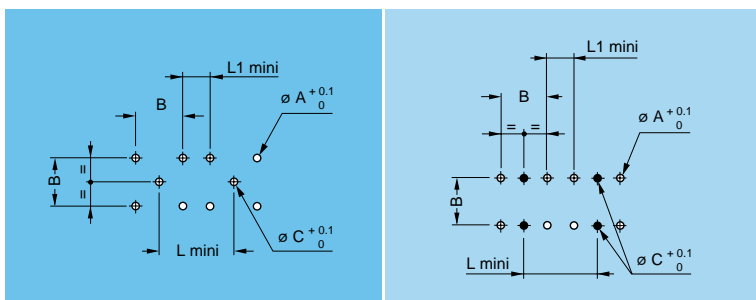


Note: 1) If these models are used with a tapered washer GBB, the panel cut-out must be according P1.

Recommended mounting nut torque: 2.5 Nm.

Cut-out	Model	Dimensions			
		A	B	L	e
P1	HGP-HGW-SWH-ECP EPE-EPS-FAB-EWF	7.1	–	14.5	–
P2	EWV	–	–	12.0	M7x0.5
P3	ERC	–	–	9.0	M7x0.5
P4	ERT	7 ⁰ _{-0.02}	–	–	–
P5	Other models ¹⁾	7.1	6.5	14.5	–
P6	ABB	9.7	9.0	15.0	–
P7	ABD	12.9	11.7	20.5	–
P8	ANC	16.1	13.7	24.0	–

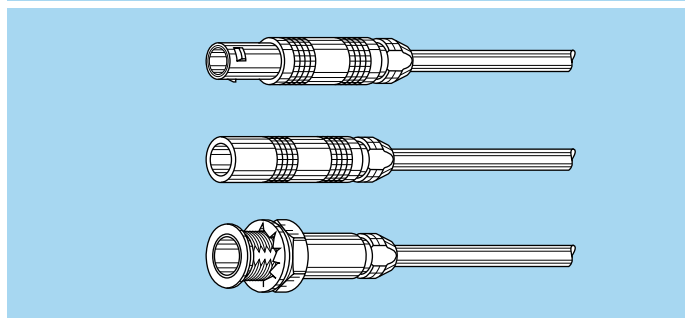
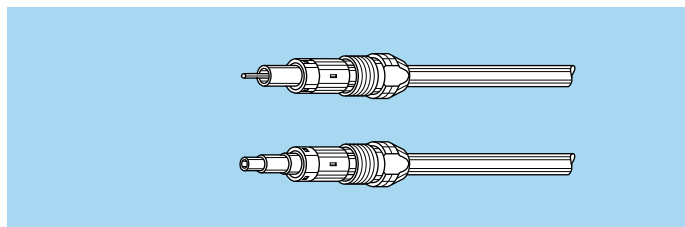
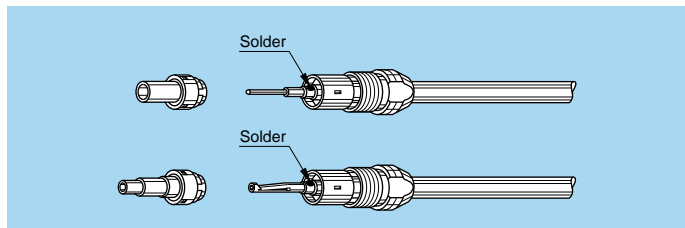
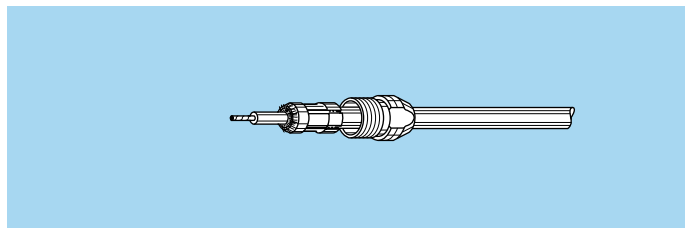
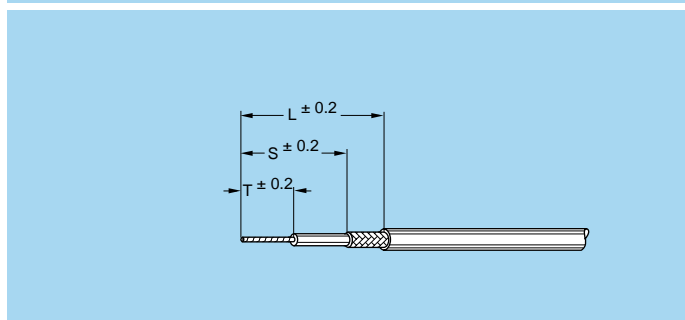
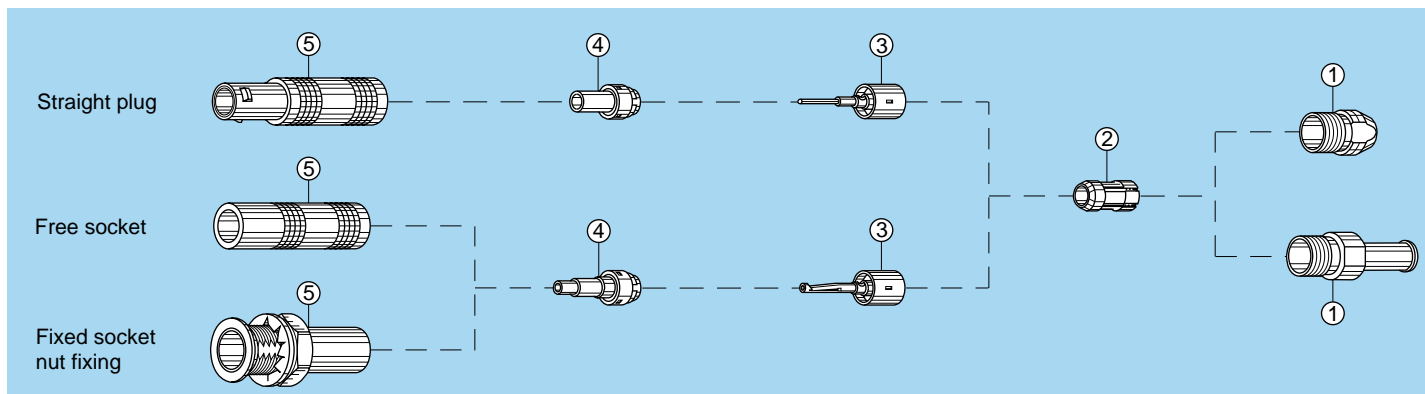
PCB drilling pattern



Cut-out	Model	Dimensions				
		A	B	L	L1	C
P9	EPN	0.9	5.08	–	2.0	–
P10	Other models	0.8	5.08	8.0	2.9	0.8
P11	FPA	0.8	5.08	8.0	2.9	1.0
P12	EPE-EPS	0.8	5.08	14.5	9.4	0.8
P13	EPY	0.8	5.08	9.0	3.9	0.8

Terminated Instructions

Terminating of plugs and straight sockets with cable collet M1 M2 M3



1. Cable preparation

First place the strain relief (if to be used) on the cable. Strip the cable according to dimensions below.

Cable group	M1			M2			M3		
	T	S	L	T	S	L	T	S	L
1-2-3-4-8	4	4.5	8	-	-	-	5	5	8
6-7	-	-	-	7.5	8.5	13	-	-	-

2. Cable termination

2.1 Place the collet nut ① and the collet ② on the cable. Fold back the shield braid onto the conical part of the collet, and trim to the outer edge of the collet

2.2 Slide the subassembly ③ to trap the shield braiding and solder the central conductor into the contact.

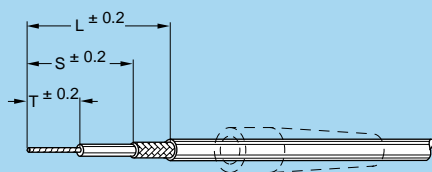
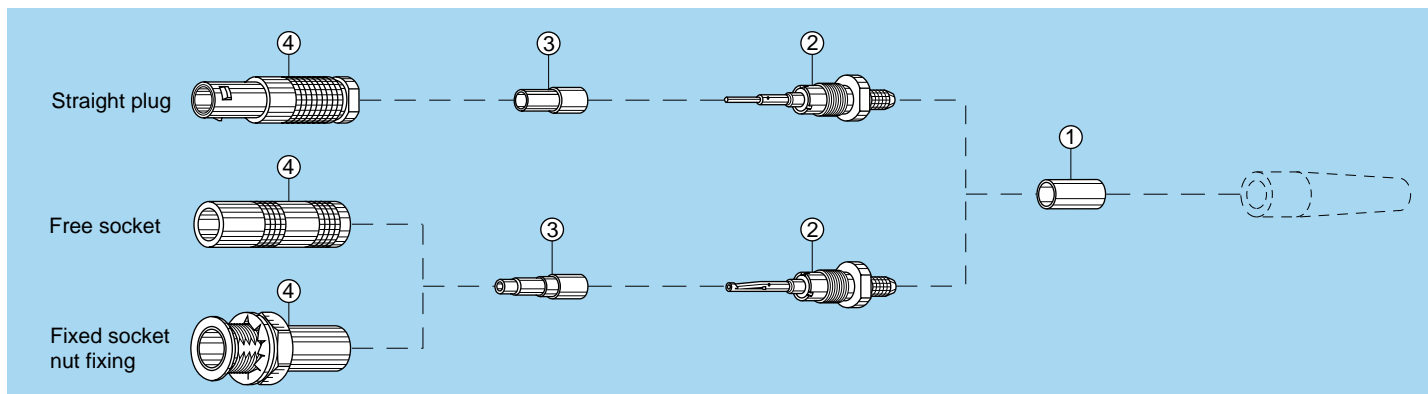
2.3 Slide the insulator ④ onto the subassembly ③ until it rests against the earthing sleeve of the subassembly ③.

2.4 Slide the assembly into the connector outer shell ⑤. Screw the collet nut ① into the connector outer shell ⑤ using the appropriate tool and tighten to a torque of 0.25 Nm (see "Tooling" on page 31 and 32). Push the strain relief (if used) onto the collet nut.

Note: these terminating instructions apply to the following models:

- M1 = FFA, FFE, FFF, PCA, PSA
- M2 = FFY
- M3 = FFC

Terminating of plugs and straight sockets with cable crimping (crimp contact) M4



1. Cable preparation

First place the strain relief (if to be used) on the cable. Strip the cable according to dimensions below.

Cable group	M4		
	T	S	L
1-2-3-4-5-8	7	15	19.5
6-7	7	15	21.5

2. Cable termination

2.1 Place crimp ferrule ① on the cable. Widen the shield braid. Slide the subassembly ② into the cable until the insulator rests against the dielectric and the cable conductor is visible through the contact inspection hole.

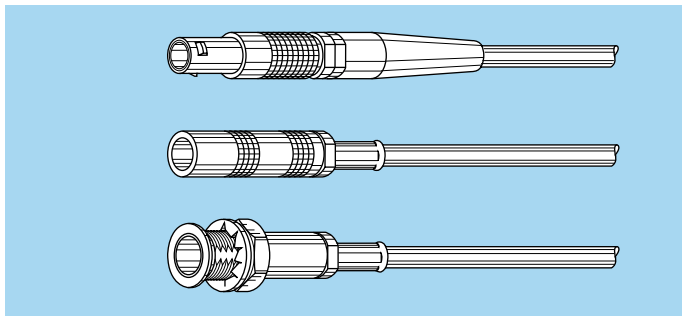
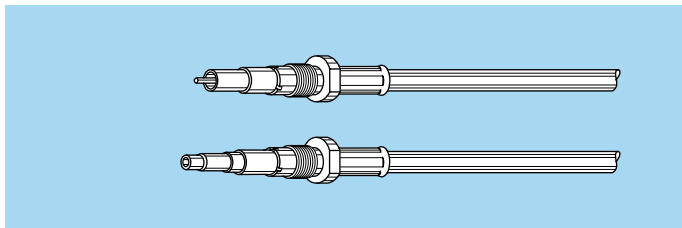
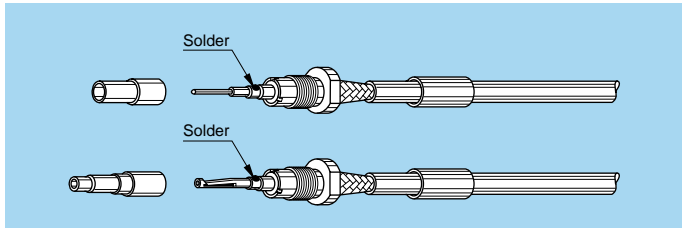
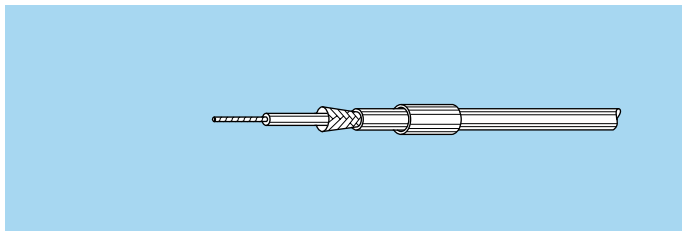
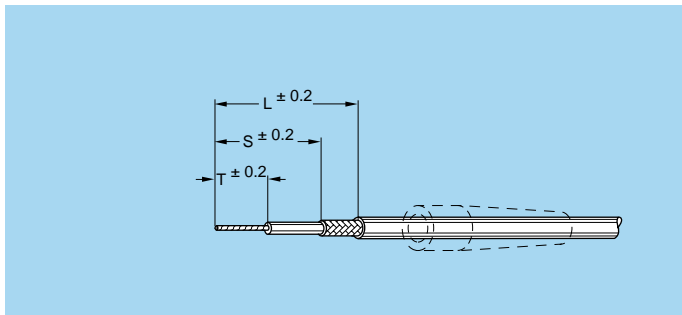
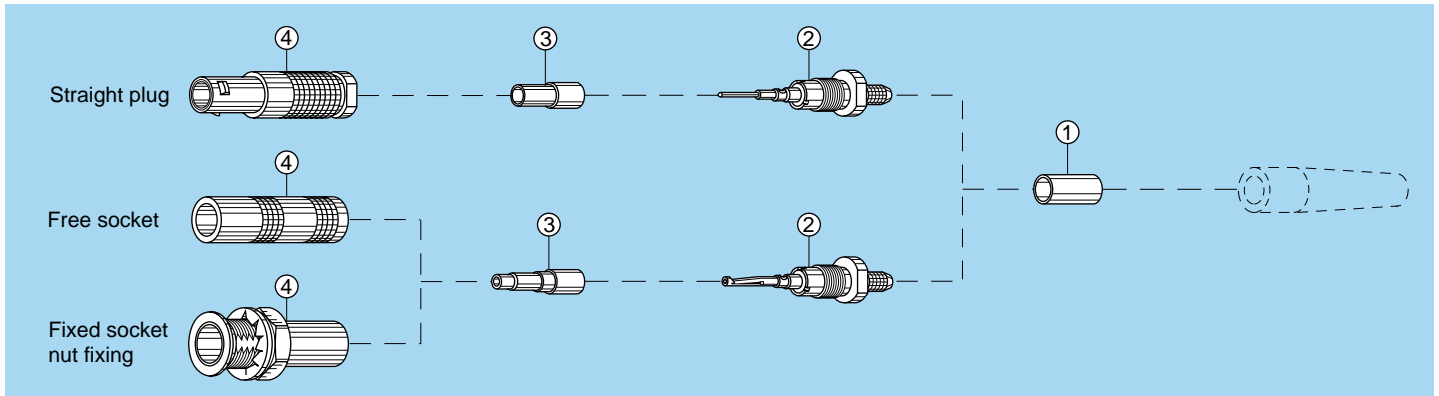
2.2 Crimp the contact with the LEMO crimping tool using the square hole (see "Tooling" on page 32). Gently pull the cable in order to check the crimping.

2.3 Slide the crimp ferrule ① onto the shield until it rests against the crimp backnut of the subassembly ②. Crimp with the same LEMO crimping tool using the hexagonal opening. Slide the insulator ③ onto the subassembly ②.

2.4 Slide the assembly into the connector shell ④ and screw it onto the subassembly ②. Tighten using the appropriate tool to a torque of 0.25 Nm (see "Tooling" on page 31 and 32). Push the strain relief (if used) onto the crimp ferrule ①.

Note: these terminating instructions apply to the following models:
M4 = FFS, FFV, PCS, PSS, PES

Terminating of plugs and straight sockets with cable crimping (solder contact) M5



1. Cable preparation

First place the strain relief (if to be used) on the cable. Strip the cable according to dimensions below.

Cable group	M5		
	T	S	L
1-2-3-4-5-8	5	12	17
6-7	5	12	19

2. Cable terminating

2.1 Place the crimp ferrule ① on the cable. Widen the shield braid. Slide the subassembly ② over the cable until the insulator rests against the dielectric and the cable conductor is visible through the contact solder hole.

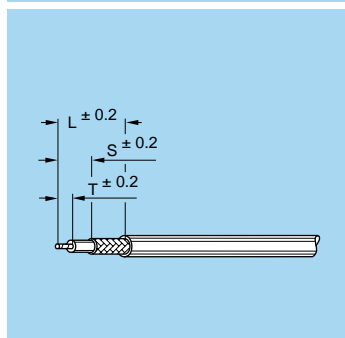
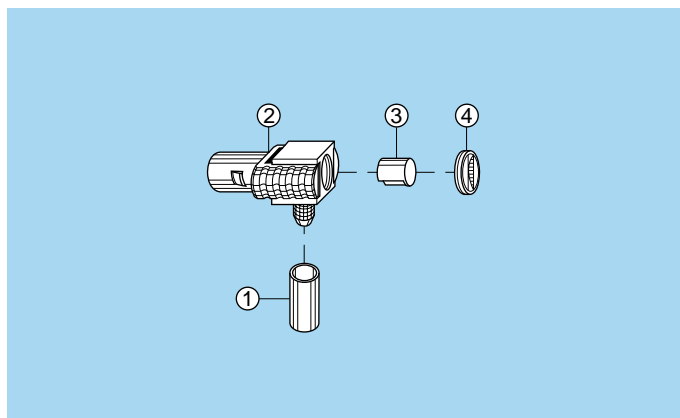
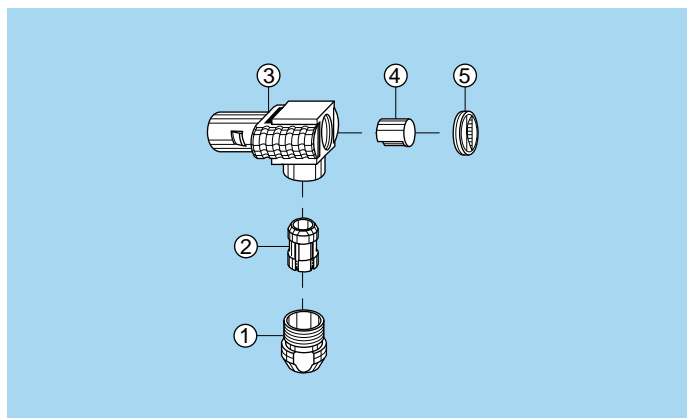
2.2 Solder the conductor through the hole.

2.3 Slide the crimp ferrule ① onto the shield until it rests against the crimp backnut of the subassembly ②. Crimp with the LEMO crimping tool using the hexagonal opening (see "Tooling" on page 32). Slide the insulator ③ onto the subassembly ②.

2.4 Slide the assembly into the connector shell ④ and screw it onto the subassembly ②. Tighten using the appropriate tool to a torque of 0.25 Nm (see tooling on pages 31 and 32). Push the strain relief (if used) onto the crimp ferrule.

Note: these terminating instructions apply to the following models:
M5 = FFS, FFV, PCS, PSS, PES

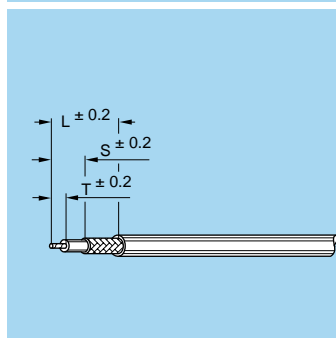
Terminating of elbow plugs (90°) with cable collet **M6** and cable crimp **M7**



1. Cable preparation

First place the strain relief (if to be used) on the cable. Strip the cable according to dimensions below.

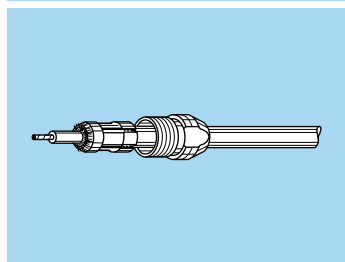
Cable group	M6		
	T	S	L
1-2-3-4-8	1	3.5	6.5



1. Cable preparation

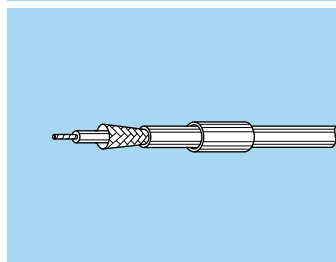
First place the strain relief (if to be used) on the cable. Strip the cable according to dimensions below.

Cable group	M7		
	T	S	L
1-2-3-4-8	1	4.5	9
6-7	3	4.5	11



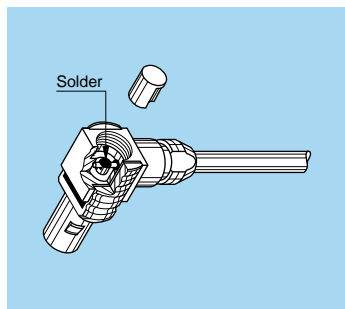
2. Cable terminating

2.1 Place the crimp ferrule ① and collet ② on the cable. Fold back the shield braid onto the conical part of the collet, and trim to outer edge of the collet.

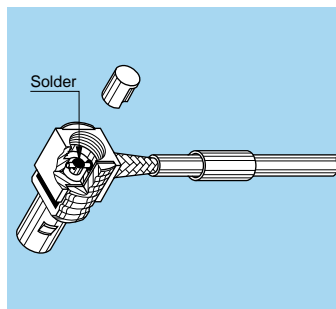


2. Cable terminating

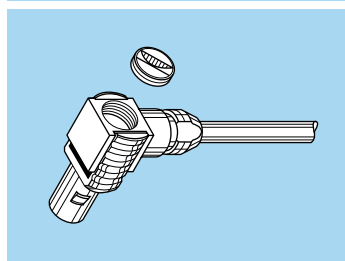
2.1 Place the cable crimp ferrule ① on the cable and widen the braiding.



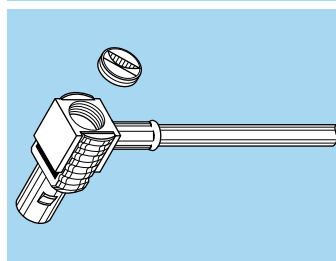
2.2 Slide the assembly into the connector shell ③ and tighten the collet nut ① using the appropriate tool to a torque of 0.25 Nm (see "Tooling" on page 31 and 32). Check that the cable conductor rests in the contact slot, solder the conductor through the hole.



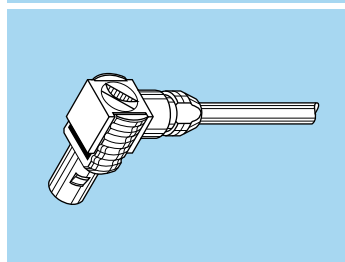
2.2 Slide the cable into the connector shell ②. Check that cable conductor rests in the contact slot, tin solder the conductor through the hole. Slide the crimp ferrule ① over the braiding until it reaches the connector shell ②. Crimp with the LEMO crimp tool using the hexagonal opening (see "Tooling" on page 32).



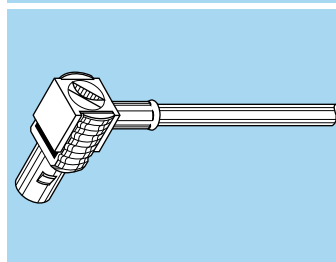
2.3 Place the insulating sleeve ④ over the soldered contact.



2.3 Place the insulating sleeve ③ over the soldered contact.



2.4 Close the access hole with the flat screw ⑤. Push the strain relief (if used) onto the collet nut ①.



2.4 Close the connector hole with the flat screw ④. Push the strain relief (if used) onto the crimping tube ①.

Note: these terminating instructions apply to the following models:

M6 = FLA

Note: these terminating instructions apply to the following models:

M7 = FLS, FLV

Recommended coaxial cables

Dimensions and characteristics

Standard / Part number (supplier)			Imp. (Ω)	Construction and dimensions									Weight kg/100 m
				Conductor			Dielectric		Shield		Sheath		
Construction	Mat.	\varnothing		Mat.	\varnothing	Mat.	\varnothing	Mat.	\varnothing				
RG.58C/U	KX 15	CEI 96-2	50 \pm 2 Ω	19x0.18	CuSn	0.90	PE	2.95	CuSn	3.60	PVC*	4.95	3.80
RG.142B/U		-	50 \pm 2 Ω	solid	CuStAg	0.95	PTFE	2.95	CuAg CuAg	2 nd : 4.20	FEP	4.95	6.60
RG.174A/U	KX 3A	50-2-1	50 \pm 2 Ω	7x0.16	CuSt	0.48	PE	1.50	CuSn	2.00	PVC*	2.60	1.10
RG.178B/U	KX 21A	50-1-1	50 \pm 2 Ω	7x0.10	CuStAg	0.30	PTFE	0.87	CuAg	1.40	FEP	1.80	0.85
RG.179B/U		75-2-1	75 \pm 3 Ω	7x0.10	CuStAg	0.30	PTFE	1.50	CuAg	2.00	FEP	2.50	1.50
RG.180B/U		-	95 \pm 5 Ω	7x0.10	CuStAg	0.30	PTFE	2.60	CuAg	3.10	FEP	3.60	3.20
RG.187A/U		75-2-2	75 \pm 3 Ω	7x0.10	CuStAg	0.30	PTFE	1.50	CuAg	2.00	PTFE	2.60	1.60
RG.188A/U		50-2-3	50 \pm 2 Ω	7x0.18	CuStAg	0.54	PTFE	1.50	CuAg	2.00	PTFE	2.60	1.60
RG.196A/U		50-1-2	50 \pm 2 Ω	7x0.10	CuStAg	0.30	PTFE	0.87	CuAg	1.37	PTFE	2.10	1.10
RG.316/U	KX 22A	50-2-2	50 \pm 2 Ω	7x0.18	CuStAg	0.54	PTFE	1.50	CuAg	2.10	FEP	2.50	1.60
8216	(Belden)	50-2-1	50 \pm 2 Ω	7x0.16	CuSt	0.48	PE	1.52	CuSn	-	PVC	2.55	-
8262	(Belden)	50-3-1	50 \pm 2 Ω	19x0.18	CuSn	0.90	PE	2.95	CuSn	-	PVC	4.95	-
83265	(Belden)	50-1-1	50 \pm 2 Ω	7x0.10	CuStAg	0.30	PTFE	0.86	CuAg	-	FEP	1.85	-
83269	(Belden)	-	50 \pm 2 Ω	7x0.17	CuStAg	0.51	PTFE	1.52	CuAg	-	PTFE	2.60	-
83284	(Belden)	50-2-2	50 \pm 2 Ω	7x0.17	CuStAg	0.51	PTFE	1.52	CuAg	-	FEP	2.50	-
HF-2114	(Dätwyler)	-	50 \pm 2 Ω	7x0.16	Cu	0.48	PE	1.32	Cu	1.9	PVC	2.70	1.15
CCH.99.281.505 (Lemo) ¹⁾		50-2-1	50 \pm 2 Ω	7x0.18	Cu	0.54	PE	1.50	Cu	2.2	PoF	2.80	1.30
421.099	(Storm)	-	50 \pm 2 Ω	7x0.16	CuStAg	0.50	PTFE	1.52	CuAg CuAg	1 st : 2.00 2 nd : 2.50	FEP	3.05	1.95
G02232D-60	(H+S)	-	50 \pm 2 Ω	7x0.16	Cu	0.50	PE	1.50	CuAg CuSn	1 st : 1.95 2 nd : 2.50	PVC	3.10	2.10

Notes: all dimensions are in millimeters.
¹⁾ Fire resistant according IEC 332-1.

Cu	Bare copper	FEP	Extruded Fluorethylenpropylen	PVC	Polyvinylchlorid
CuAg	Silver-plated copper	PE	Polyethylen	PVC*	Polyvinylchlorid
CuSn	Tinned copper	PoF	Polyolefin		(Qual.IIa MIL-C-17)
CuSt	Copper-plated steel	PTFE	Wrapped or extruded		
CuStAg	Silvered copper plated steel		Polytetrafluorethylen		

Technical tables

VSWR effect on transmitted power

VSWR	VSWR (dB)	Return loss (dB)	Transmiss. loss (dB)	Reflected voltage coefficient	Transmit. power (%)	Reflected power (%)
1.00	0		0.000	0.00	100.0	0.0
1.01	0.1	46.1	0.000	0.00	100.0	0.0
1.02	0.2	40.1	0.000	0.01	100.0	0.0
1.03	0.3	36.6	0.001	0.01	100.0	0.0
1.04	0.3	34.2	0.003	0.03	100.0	0.0
1.05	0.4	32.3	0.003	0.02	99.9	0.1
1.06	0.5	30.7	0.004	0.03	99.9	0.1
1.07	0.6	29.4	0.005	0.03	99.9	0.1
1.08	0.7	28.3	0.006	0.04	99.9	0.1
1.09	0.7	27.3	0.008	0.04	99.8	0.2
1.10	0.8	26.4	0.010	0.05	99.8	0.2
1.11	0.9	25.7	0.012	0.05	99.7	0.3
1.12	1.0	24.9	0.014	0.06	99.7	0.3

VSWR	VSWR (dB)	Return loss (dB)	Transmiss. loss (dB)	Reflected voltage coefficient	Transmit. power (%)	Reflected power (%)
1.13	1.1	24.3	0.016	0.06	99.6	0.4
1.14	1.1	23.7	0.019	0.07	99.6	0.4
1.15	1.2	23.1	0.021	0.07	99.5	0.5
1.16	1.3	22.6	0.024	0.07	99.5	0.5
1.17	1.4	22.1	0.027	0.08	99.4	0.6
1.18	1.4	21.7	0.030	0.08	99.3	0.7
1.19	1.5	21.2	0.033	0.09	99.2	0.8
1.20	1.6	20.8	0.036	0.09	99.2	0.8
1.21	1.7	20.4	0.039	0.10	99.1	0.9
1.22	1.7	20.1	0.043	0.10	99.0	1.0
1.23	1.8	19.7	0.046	0.10	98.9	1.1
1.24	1.9	19.4	0.050	0.11	98.9	1.1
1.25	1.9	19.1	0.054	0.11	98.8	1.2