

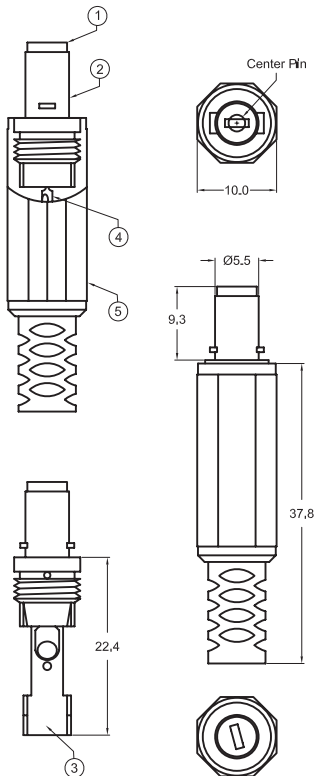
**DC POWER CONNECTORS: KLDX Plug Series**  
**DC Power Plug**

**Product Features**

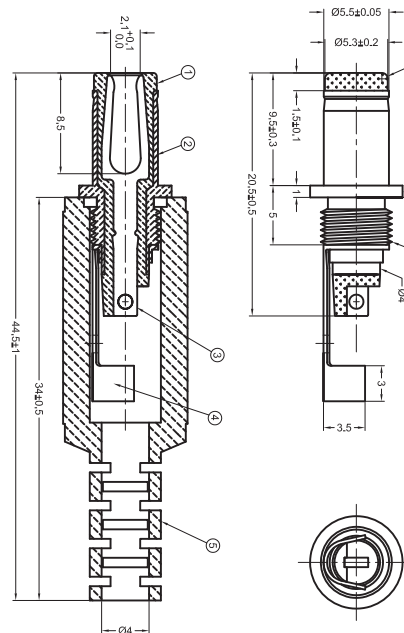
To be used with 2.0mm and 2.5mm Jacks  
 Available as Assembly Type or For Overmolding  
 Available Locking and non Locking Type  
 Tuning Fork Design

**KLDX-PA-0202**  
**Dimensions in mm**

**KLDX-PA-0202-x-LT**  
 Assembly type, Locking



**KLDX-PA-0202-A**  
 Assembly type, Non Locking



2D Drawing	IGES	STEP	3D PDF
Solder Profile	CofC RoHS Compliant	CofC REACH Compliant	UL Plastic File
Certificate of Origin	Check Stock	Request a Sample	Send Us An Email

Generated Part Number

Part Number Builder

-    
 Series                      Diameter                      Type Option

**Series**

KLDX-PA-0202 - DC Power Plug Assembly Type

**Diameter**

A - For 2.0mm Jack  
 B - For 2.5mm Jack

**Type**

Blank - Standard Type (Non Locking)  
 LT - Locking Type

Contact Kycon for Custom Cable Options

# Mouser Electronics

Authorized Distributor

Click to View Pricing, Inventory, Delivery & Lifecycle Information:

[Kycon:](#)

[KLDX-PA-0202-A-LT](#) [KLDX-PA-0202-B-LT](#)