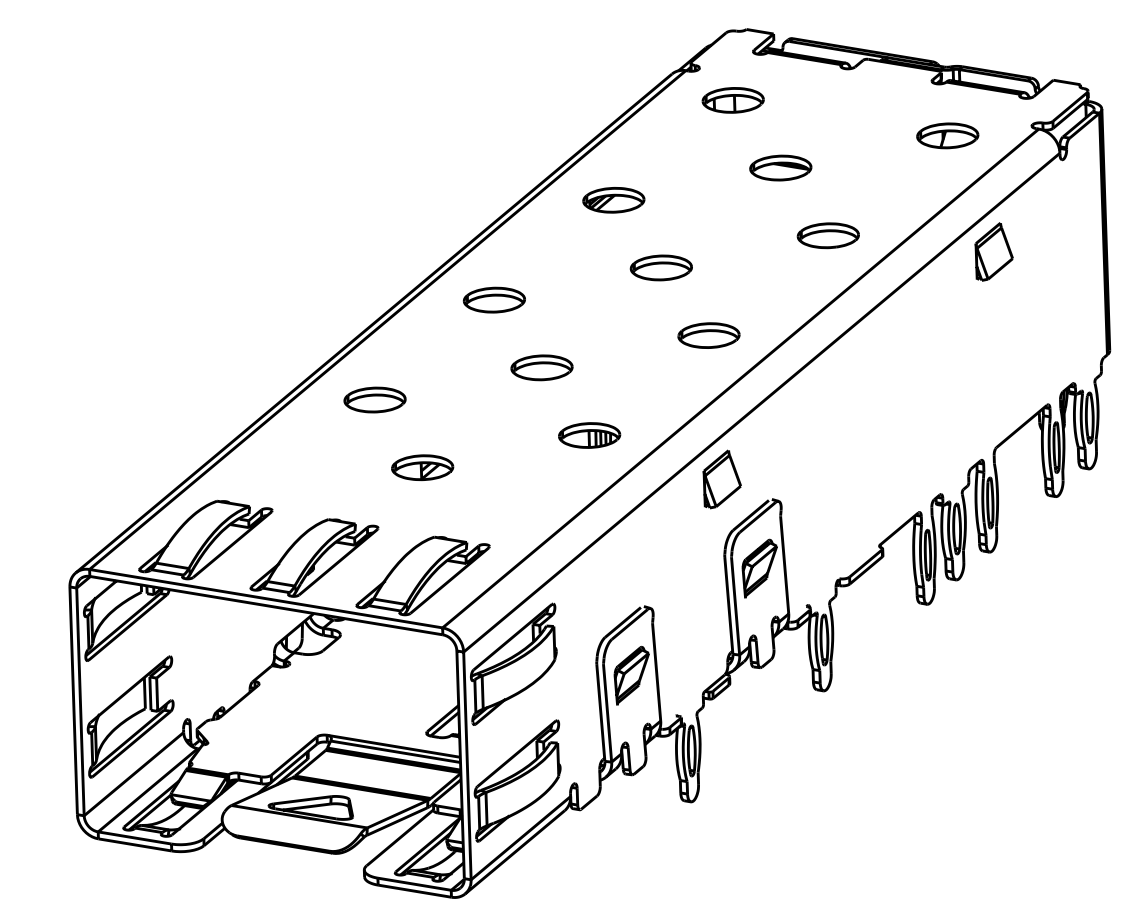
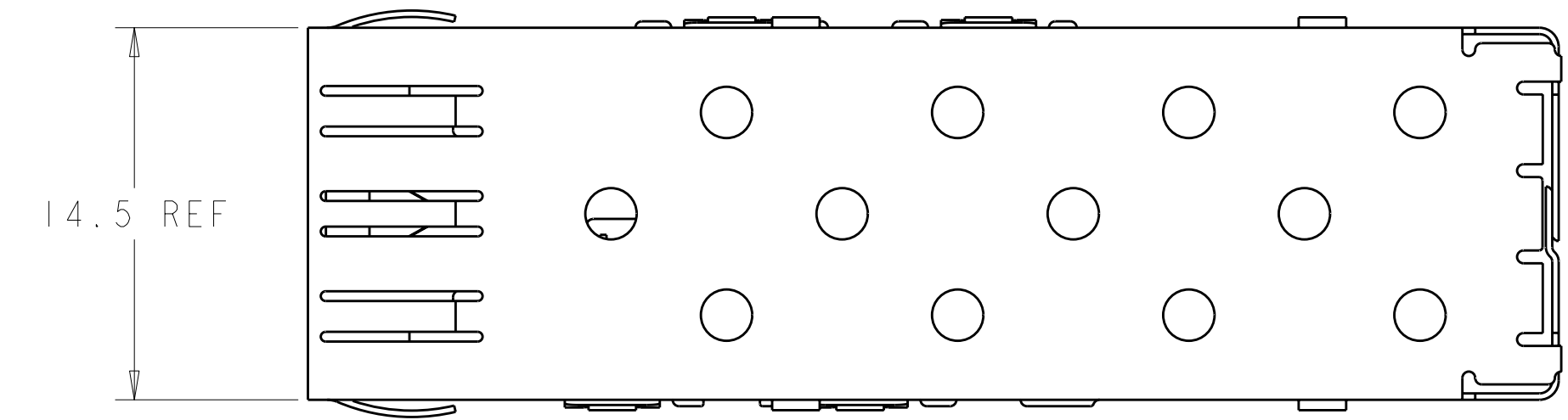
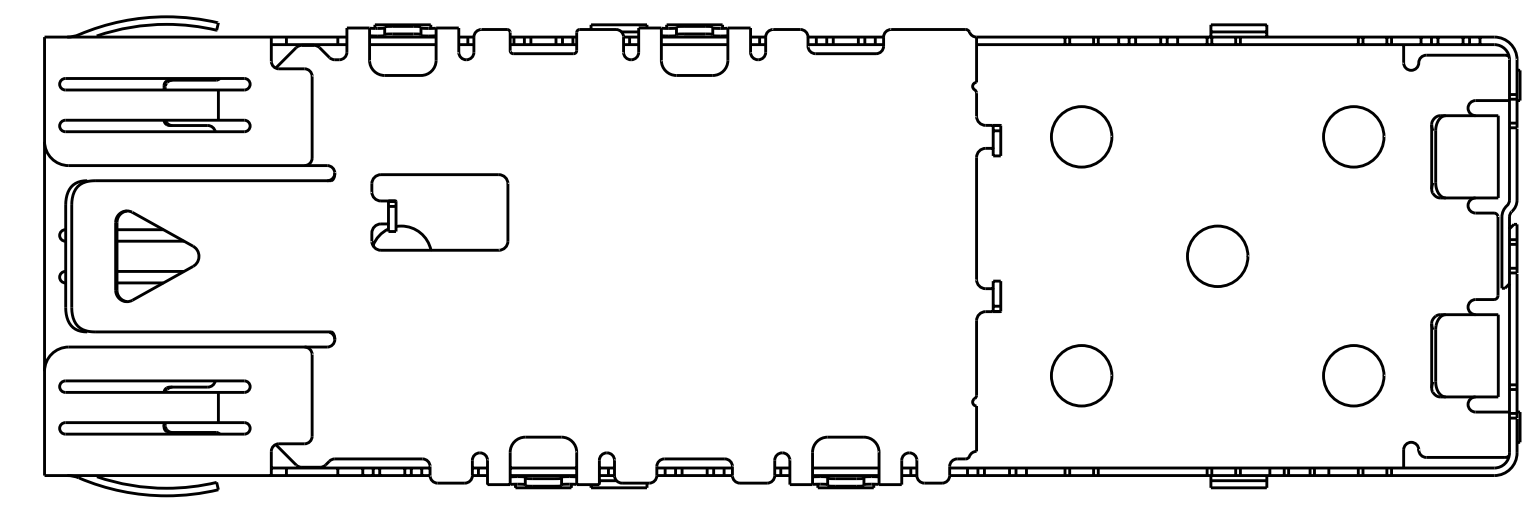
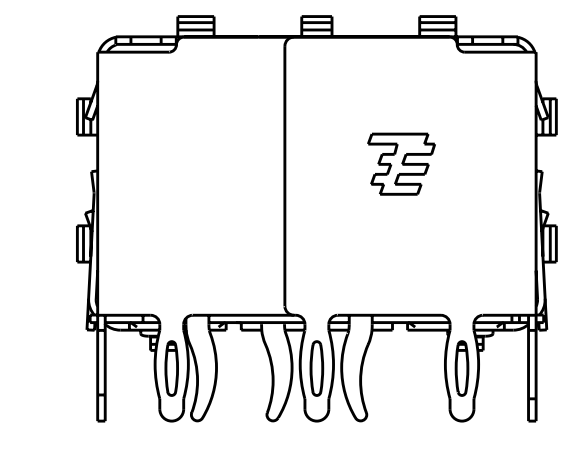
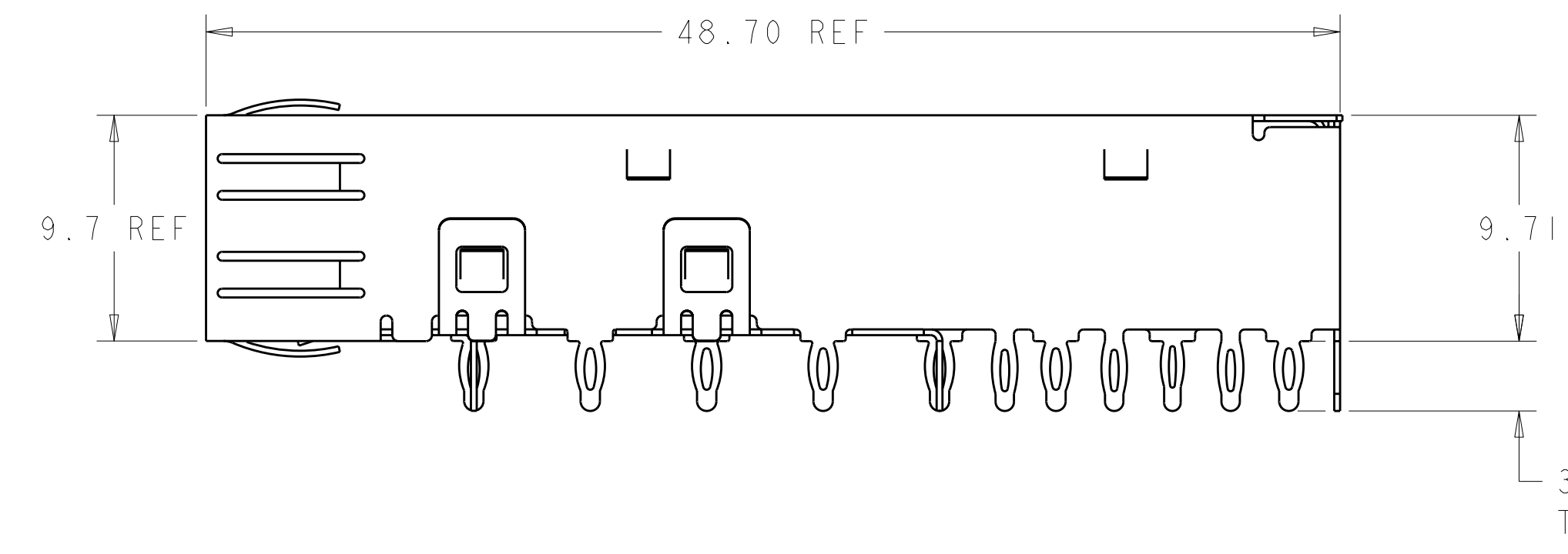
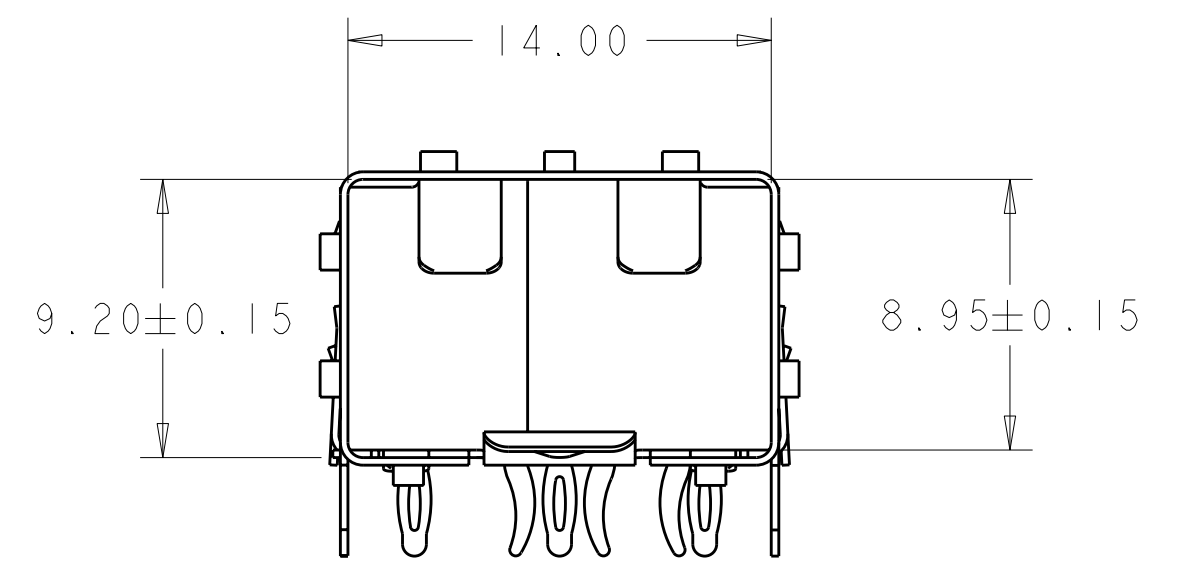


LOC	DIST	REVISIONS			
P	LTR	DESCRIPTION	DATE	DWN	APVD
GP	00	A	RELEASED	19JUL2010	JY CW



SCALE 4:1



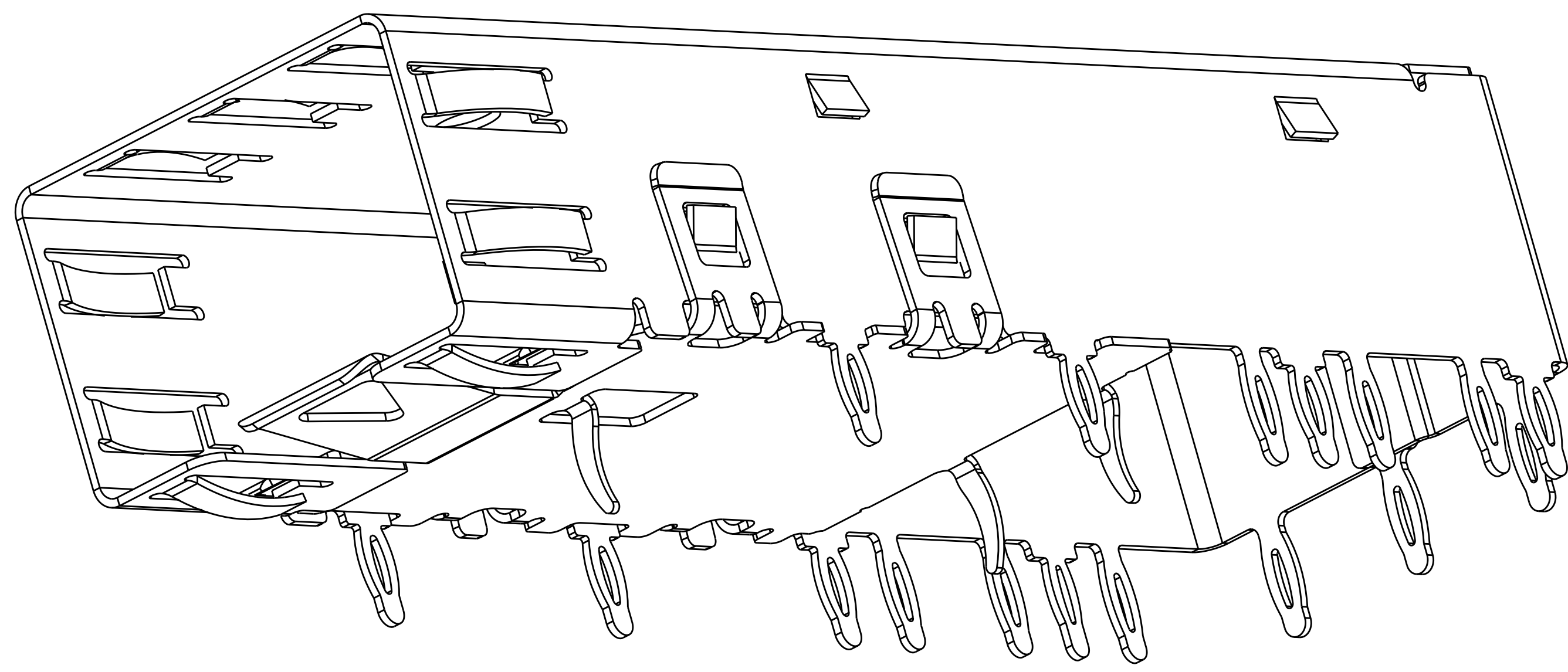
- 1 MATERIAL: COPPER ALLOY
- 2 FINISH: TIN. NONPLATED EDGES PERMISSIBLE.
- 3. SFP MSA COMPATIBLE.
- 4 PADS AND VIAS CHASSIS GROUND.
- 5 DATUM AND BASIC DIMENSIONS ESTABLISHED BY CUSTOMER.
- 6. MINIMUM PC BOARD THICKNESS:  
 SINGLE SIDED: 1.45 mm  
 DOUBLE SIDED: 3.00 mm

1367628-1  
PART NUMBER

DIMENSIONS: mm 		TOLERANCES UNLESS OTHERWISE SPECIFIED: 0 PLC ± 1 PLC ±0.10 2 PLC ± 3 PLC ± 4 PLC ± ANGLES ±		DWN JASON YANG 19JUL2010 CHK DENY ZHU 19JUL2010 APVD WANG MANQIAN 19JUL2010 NAME PRODUCT SPEC 108-1950 APPLICATION SPEC 114-13120 WEIGHT CUSTOMER DRAWING		Tyco Electronics Shanghai, P.R.C. 200233	
MATERIAL:		FINISH:		SIZE CAGE CODE DRAWING NO A100779C=1367628		RESTRICTED TO SCALE 4:1 SHEET 1 OF 3 REV A	

THIS DRAWING IS UNPUBLISHED. RELEASED FOR PUBLICATION 2007  
COPYRIGHT 2007 BY TYCO ELECTRONICS CORPORATION. ALL INTERNATIONAL RIGHTS RESERVED.

LOC	DIST	REVISIONS					
GP	00	P	LTB	DESCRIPTION	DATE	DWN	APVD
		-	-	SEE SHEET 1	-	-	-

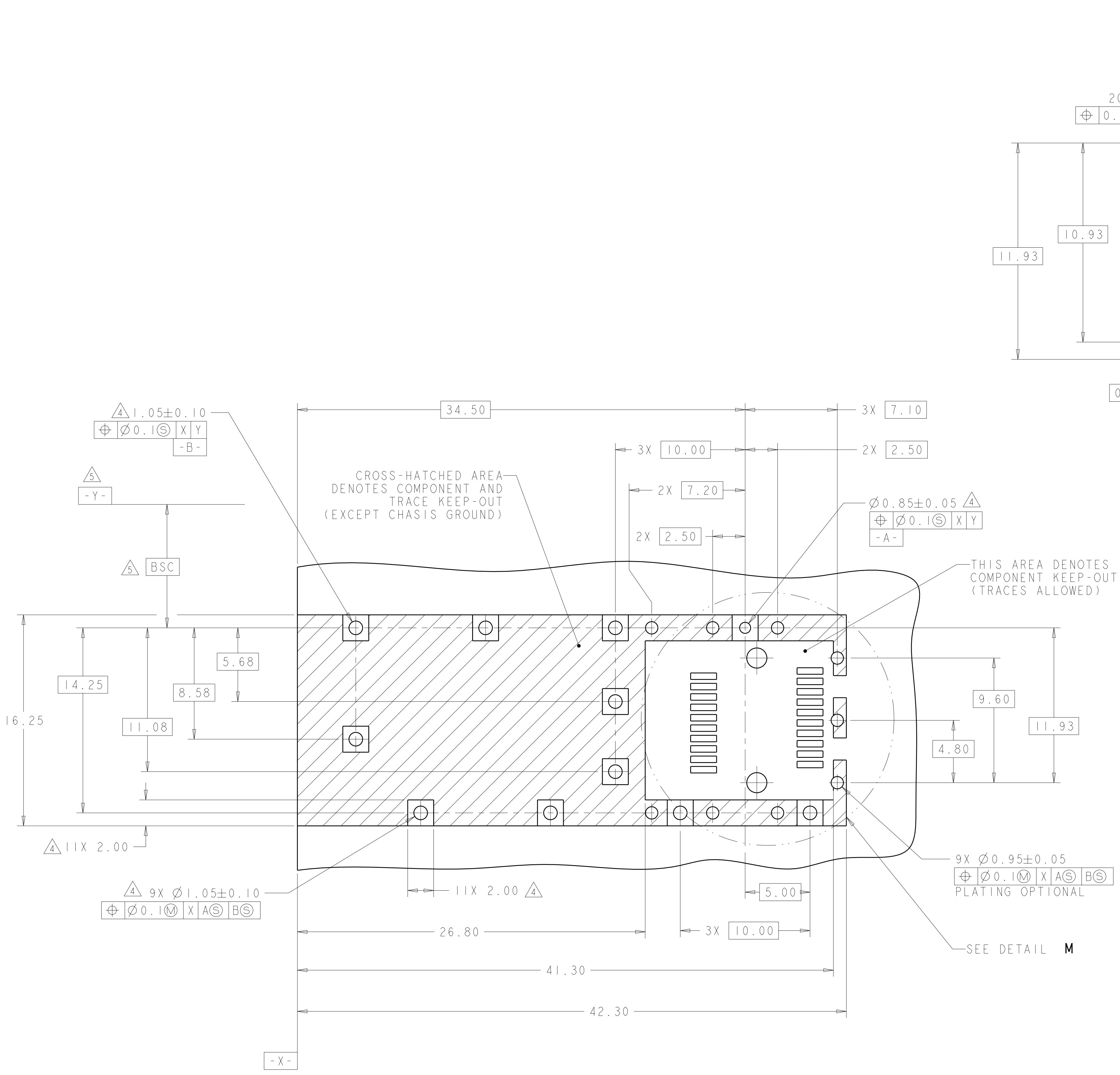


ISOMETRIC VIEW  
SCALE 8:1

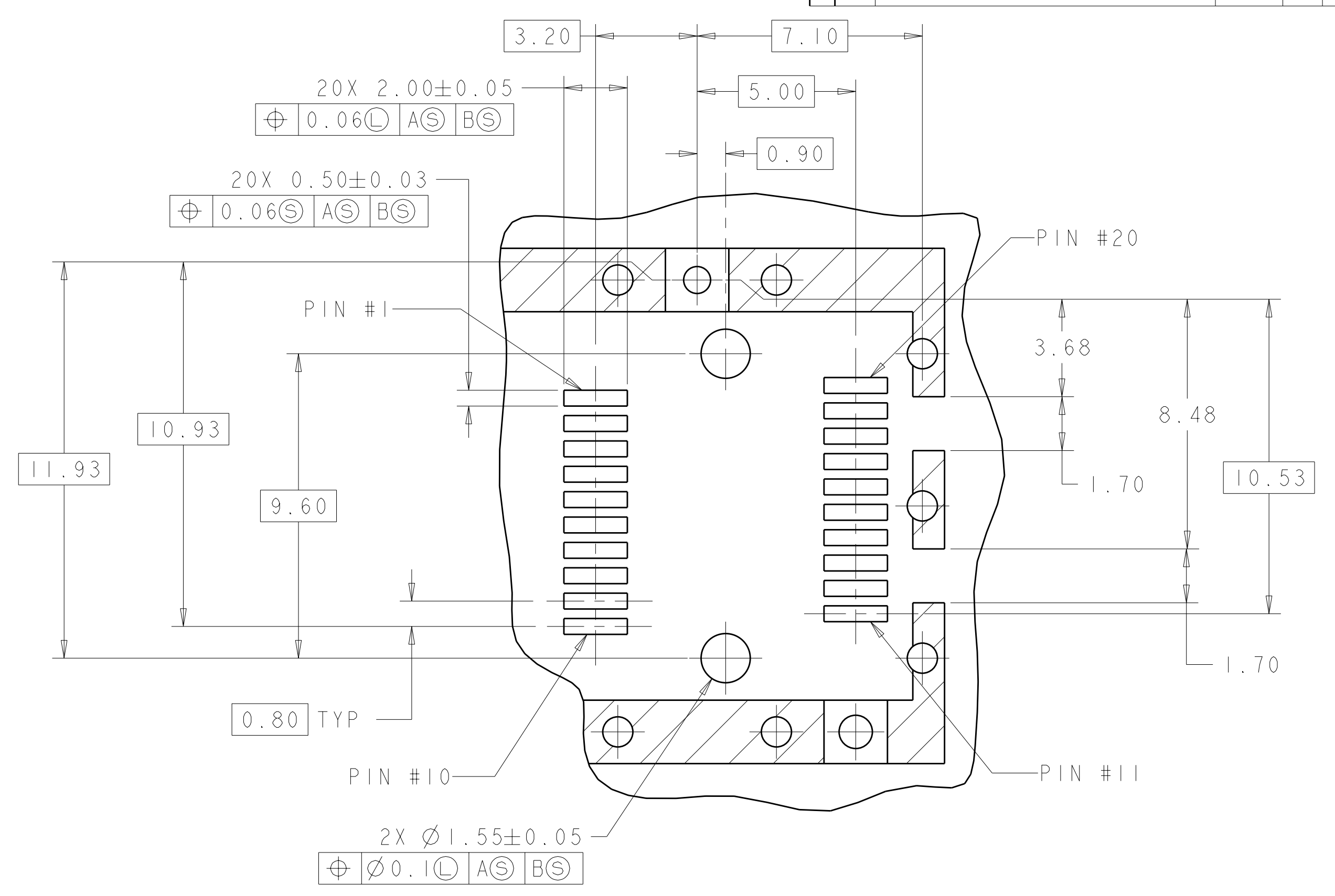
<small>THIS DRAWING IS UNPUBLISHED. RELEASED FOR PUBLICATION 2007. ALL RIGHTS RESERVED. THIS DRAWING IS UNPUBLISHED. RELEASED FOR PUBLICATION 2007. ALL RIGHTS RESERVED. THIS DRAWING IS UNPUBLISHED. RELEASED FOR PUBLICATION 2007. ALL RIGHTS RESERVED.</small>		DWN JASON YANG 19JUL2010 CHK DENY ZHU 19JUL2010 APVD WANG MANQIAN 19JUL2010	Tyco Electronics Shanghai, P.R.C. 200233
DIMENSIONS: mm 		TOLERANCES UNLESS OTHERWISE SPECIFIED: 0 PLC ± 1 PLC ±0.10 2 PLC ± 3 PLC ± 4 PLC ± ANGLES ± FINISH	NAME CAGE ASSEMBLY, 20 PRESS FIT, SFP PRODUCT SPEC 108-1950 APPLICATION SPEC 114-13120 WEIGHT CUSTOMER DRAWING
MATERIAL FINISH		SIZE CAGE CODE DRAWING NO A100779C=1367628	RESTRICTED TO SCALE 4:1 SHEET 2 OF 3 REV A

LOC	DIST	REV	DATE	BY	APPD
GP	00				

REVISIONS			
NO.	DESCRIPTION	DATE	BY
1	SEE SHEET 1		



RECOMMENDED PC BOARD LAYOUT  
 SCALE 6:1



DETAIL M  
 SCALE 8:1

DIMENSIONS: mm 		TOLERANCES UNLESS OTHERWISE SPECIFIED: 9 PLC ± 3 PLC ±0.10 5 PLC ± 4 PLC ± ANGLES ±		DWN JASON YANG 19JUL2010 CHK DENY ZHU 19JUL2010 APVD WANG MANOIAN 19JUL2010 NAME PRODUCT SPEC 108-1950 APPLICATION SPEC 114-13120 WEIGHT CUSTOMER DRAWING		Tyco Electronics Shanghai, P.R.C. 200233 NAME CAGE ASSEMBLY, 20 PRESS FIT, SFP SIZE CAGE CODE DRAWING NO. RESTRICTED TO A100779C=1367628 SCALE 4:1 SHEET 3 OF 3 REV A	
-----------------------	--	--	--	--	--	--	--