



»» Features

- Miniature 12A 125VAC, 10A 250VAC/30VDC PCB Relay.
- UL/CUL, CSA, TUV, VDE approved.
- 450mW and 200mW coil are available.
- Optional for high CTI 250 plastic material (E version) and VDE approved type.
- Comply with RoHS-Directive 2011/65/EU.

»» Type List

◆ 835

Terminal style	Contact form	Insulation system	Designation (provided with)		
			Flux tight	Sealed type	Sealed type washable
PCB terminal	1A (SPNO)	-----	835-1A-C	835-1A-V	835-1A-S
		F	835-1A-F-C	835-1A-F-V	835-1A-F-S

◆ 835L

PCB terminal	1A (SPNO)	-----	835L-1A-C	835L-1A-V	835L-1A-S
		F	835L-1A-F-C	835L-1A-F-V	835L-1A-F-S

◆ 835NL

PCB terminal	1A (SPNO)	-----	835NL-1A-C	835NL-1A-V	835NL-1A-S
		F	835NL-1A-F-C	835NL-1A-F-V	835NL-1A-F-S

»» Ordering Information

835 - 1A - - C
 1 2 3 4 5 6 7 8

- | | |
|------------------------------------|---|
| 1. 835 -- Basic series designation | 6. C -- Flux tight |
| 2. Blank -- Standard type | V -- Sealed type |
| N -- High sensitivity type | S -- Sealed type washable |
| 3. Blank -- Standard type | 7. Blank -- Standard type |
| L -- Low power type | E -- CTI 250V |
| 4. 1A -- Single pole normally open | 8. <input type="checkbox"/> -- Coil voltage (please refer to the coil rating data for the availability) |
| 5. Blank -- Standard type | |
| F -- Class F | |

»» Contact Rating

Type	835	835L	835NL
Resistive load	10A 240VAC 12A 120VAC (※)	8A 240VAC	5A 240VAC 8A 240VAC (※)

»» Coil Rating (DC)

◆ 835 / 835L

Rated voltage (V)	Rated current $\pm 10\%$ at 23°C (mA)	Coil resistance $\pm 10\%$ at 23°C (Ω)	Max. continuous voltage at 85°C	Pick up voltage(Max.) at 23°C	Drop out voltage(Min.) at 23°C	Power consumption at rated voltage
3	150	20	160 % of rated voltage	75 % of rated voltage	5 % of rated voltage	approx. 0.45W
5	90.9	55				
6	75	80				
9	50	180				
12	37.5	320				
18	25	720				
24	18.8	1280				

◆ 835NL

Rated voltage (V)	Rated current $\pm 10\%$ at 23°C (mA)	Coil resistance $\pm 10\%$ at 23°C (Ω)	Max. continuous voltage at 85°C	Pick up voltage(Max.) at 23°C	Drop out voltage(Min.) at 23°C	Power consumption at rated voltage
3	66.7	45	160 % of rated voltage	80 % of rated voltage	5 % of rated voltage	approx. 0.2W
5	40.0	125				
6	33.3	180				
9	22.2	405				
12	16.7	720				
18	11.1	1620				
24	8.3	2880				

»» Specification

Contact material	AgSnO / AgNi alloy	
Contact resistance ⁽¹⁾	100m Ω Max. (1A/6VDC by 4 pipes m Ω meter)	
Operate time ⁽¹⁾	10ms Max.	
Release time ⁽¹⁾	5ms Max. (for 835)	
	7ms Max. (for 835L/NL)	
Insulation resistance ⁽¹⁾	100M Ω Min. (DC 500V)	
Dielectric strength ⁽¹⁾	Between open contact	: AC 1000V , 50/60Hz 1 min. (for 835) : AC 750V , 50/60Hz 1 min. (for 835L/NL)
	Between contact and coil	: AC 2500V , 50/60Hz 1 min.
Vibration resistance	Operating extremes	10~50Hz , amplitude 1.0 mm
	Damage limits	10~50Hz , amplitude 1.0 mm

Shock resistance	Operating extremes	10G
	Damage limits	100G
Life expectancy	Mechanical	10,000,000 operations (frequency 18,000 operations/hr)
	Electrical	100,000 operations (※) 30,000 ops. (for 835/835NL) (frequency 900 operations/hr)
Operating ambient temperature	-40 ~ +85°C (no freezing)	
Weight	Approx. 6 g	

Note : (1) initial value

»» Safety Approval

Certified	UL/CUL	CSA	TUV	VDE
File No.	E74321	1474283	R9552647	40010643

»» Safety Approval Rating

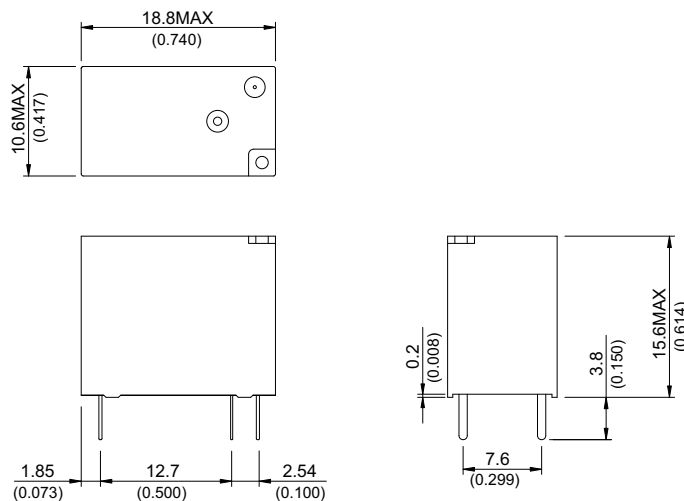
◆ 835

UL/CUL	CSA	TUV	VDE
12A 125VAC 10A 277VAC/30VDC TV-5	12A 125VAC 10A 277VAC/30VDC	12A 125VAC 10A 277VAC/30VDC	10A 250VAC T85 4A 400VAC T85

◆ 835L/835NL

UL / CUL	VDE
8A 277VAC 10A 125VAC 8A 30VDC	8A 250VAC T85 4A 400VAC T85

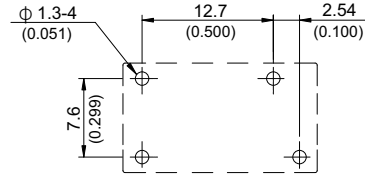
»» Outline Dimensions



»» Wiring Diagram
BOTTOM VIEW



»» PC Board Layout
BOTTOM VIEW



»» Engineering Data

