

# Le77D11

## Voice Over Subscriber Line Interface Circuit VE770 Series

### APPLICATIONS

- **Short/Medium Loop:** approximately 2000 ft. of 26 AWG, and 5 REN loads
- **Voice over IP/DSL – Integrated Access Devices, Smart Residential Gateways, Home Gateway/Router**
- **Cable Telephony – NIU, Set-Top Box, Home Side Box, Cable Modem, Cable PC**
- **Fiber–Fiber In The Loop (FITL), Fiber to the Home (FTTH)**
- **Wireless Local Loop, Intelligent PBX, ISDN NT1/TA**

### FEATURES

- **Integrated Dual-Channel Chip set**
  - Built-in boost switching power supply tracks line voltage minimizing power dissipation
  - Only +3.3 V and +12 V (nominal) required
  - Wide range of input voltages (+8 V to +40 V) supported
  - Minimum external discrete components
  - 44-pin eTQFP package
- **Ringing**
  - 5REN
  - Up to 90 Vpk, Balanced
  - Sinusoidal or trapezoidal with programmable DC offset
- **Subscriber Loop Test/Self-Test**
  - GR-909 compliant drop test capability in both measurements and pass/fail
    - Hazardous Potential
    - Foreign Electromotive Force
    - Resistive Faults
    - Receive Off-hook
    - Ringers Test
    - Loop Length
- **World Wide Programmability:**
  - Two-wire AC impedance
  - Dual Current Limit
  - Metering
  - Programmable loop closure and ring trip thresholds
- **Six SLIC Device States, including:**
  - Low power Standby state
  - On-hook transmission
  - Reverse Polarity

### RELATED LITERATURE

- **080697 Le78D11 Data Sheet**
- **080716 Le77D11/Le78D11 Chip Set User's Guide**
- **081013 Layout Considerations for the Le77D11 and Le9502 Application Note**

### ORDERING INFORMATION

An Le78D11 VoSLAC™ device must be used with this part.

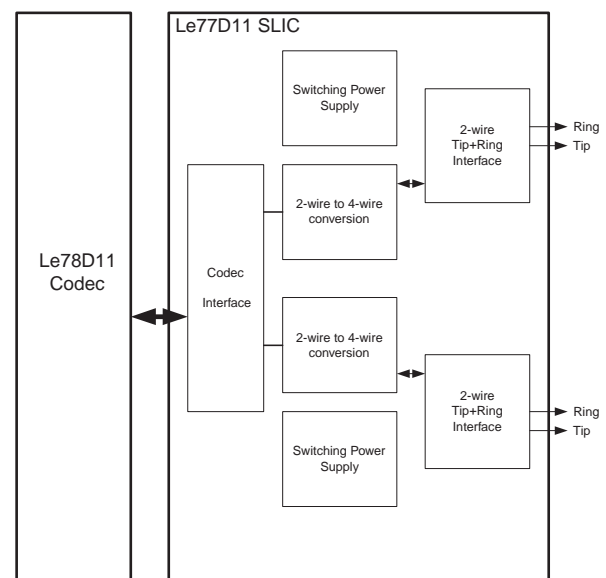
Device	Package
Le77D112TC	44-pin eTQFP
Le77D112BTC	44-pin eTQFP (Green package)*

\*Green package meets RoHS Directive 2002/95/EC of the European Council to minimize the environmental impact of electrical equipment.

### DESCRIPTION

Legerity's Le77D11 dual-channel Voice over Subscriber Line Interface Circuit (VoSLIC™) device has enhanced and optimized features to directly address the requirements of voice over broadband applications. Their common goal is to reduce system level costs, space, and power through higher levels of integration, and to reduce the total cost of ownership by offering better quality of service. The Le78D11/Le77D11 is a two-device chip set providing a totally software configurable solution to the BORSCHT functions for two lines. The resulting system is less complex, smaller, and denser, yet cost effective with minimal external components. The Le77D11 Dual VoSLIC device requires only two power supplies: +3.3 VDC and nominally +12 VDC, but can range from +8 to +40 VDC depending on the application. A single TTL-level clock source drives the two switching regulators that generate the required line voltage dynamically on a "per line" basis. Six programmable states are available: Low Power Standby, Disconnect, Normal Active, Reverse Polarity, Ringing and Line Test. Binary fault detection is provided upon application of fault conditions or thermal overload.

### BLOCK DIAGRAM



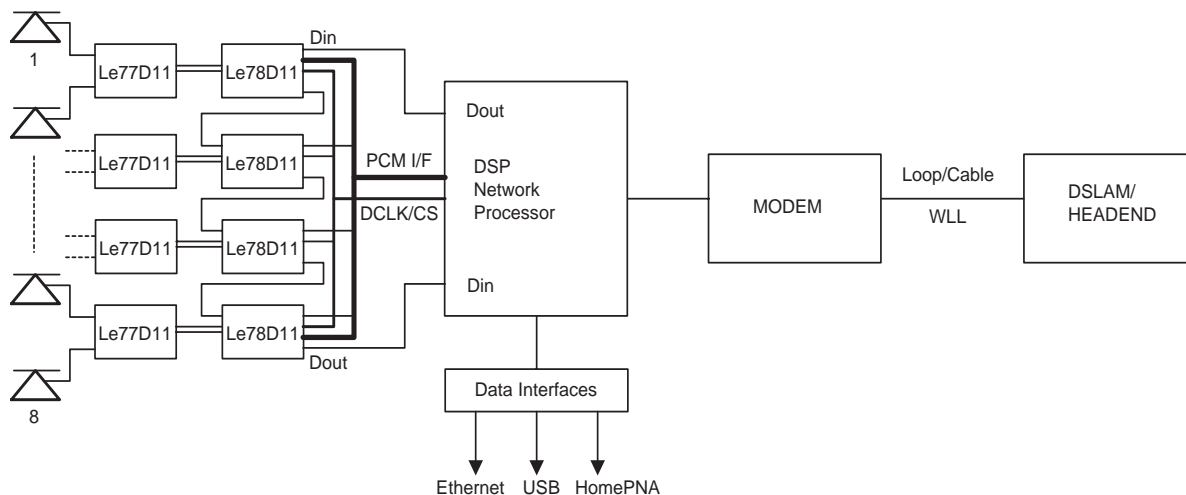
## TABLE OF CONTENTS

<b>Applications</b> .....	<b>.1</b>
<b>Features</b> .....	<b>.1</b>
<b>Related Literature</b> .....	<b>.1</b>
<b>Ordering Information</b> .....	<b>.1</b>
<b>Description</b> .....	<b>.1</b>
<b>Block Diagram</b> .....	<b>.1</b>
<b>Product Description</b> .....	<b>.3</b>
<b>Block Descriptions</b> .....	<b>.3</b>
Two-Wire Interface .....	4
Switcher Controller .....	6
Signal Transmission .....	7
Fault Detection .....	9
Signal Conditioning .....	9
Control Logic .....	9
<b>Connection Diagram</b> .....	<b>.10</b>
<b>Pin Descriptions</b> .....	<b>.11</b>
<b>Absolute Maximum Ratings</b> .....	<b>.12</b>
<b>Operating Ranges</b> .....	<b>.12</b>
<b>Electrical Characteristics</b> .....	<b>.13</b>
Supply Currents and Power Dissipation .....	13
<b>Specifications</b> .....	<b>.14</b>
System Specifications .....	14
Device Specifications .....	14
<b>Test Circuit</b> .....	<b>.18</b>
<b>Single Channel Application Circuit</b> .....	<b>.19</b>
<b>Application Circuit Parts List</b> .....	<b>.20</b>
<b>Physical Dimensions</b> .....	<b>.21</b>
44-Pin eTQFP .....	21
<b>Revision History</b> .....	<b>.22</b>
Revision B1 to C1 .....	22
Revision C1 to D1 .....	22
Revision D1 to E1 .....	22
Revision E1 to F1 .....	22
Revision F1 to G1 .....	22

## PRODUCT DESCRIPTION

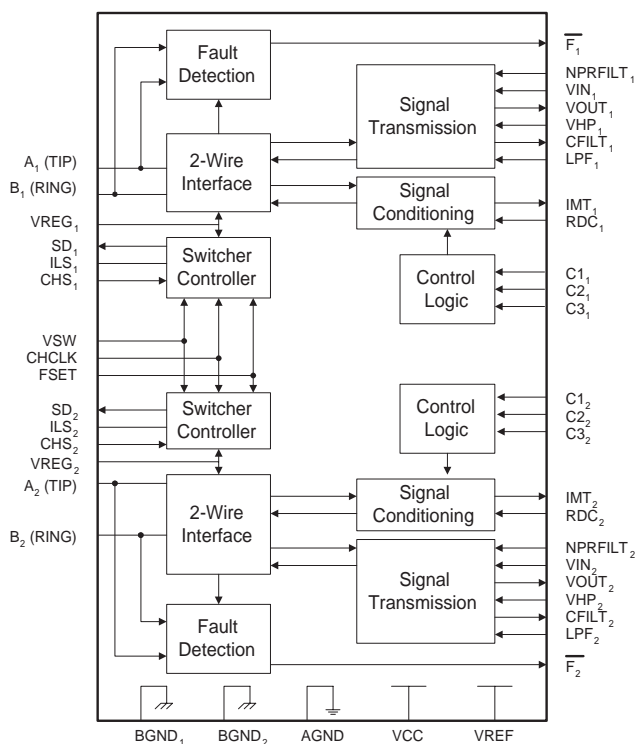
The dual channel Le77D11 VoSLIC device uses reliable, dielectrically isolated, fully complementary bipolar technology to implement BORSCHT functions for short loop applications. Internal power dissipation is minimized by two independent line voltage tracking, buck-boost switching regulators. Two power supplies are required: 3.3 V and a positive supply ( $V_{SW}$ ). A TTL-level clock driven by the Le78D11 VoSLAC device is required for switcher operation. Six programmable states control loop signaling, transmission, and ringing. The Le77D11 Dual VoSLIC device DC current limit ( $I_{SC}$ ) is programmable from 15 to 45 mA. The following diagram demonstrates a typical application.

**Figure 1. Typical Le77D11 VoSLIC™ Device/Le78D11 VoSLAC™ device Application in an 8-Port Integrated Access Device in Customer Premises**



## BLOCK DESCRIPTIONS

**Figure 2. Le77D11 VoSLIC™ Device Block Diagram**



## Two-Wire Interface

The two-wire interface block provides DC current and sends/receives voice signals to a telephone connected via the A<sub>i</sub> (Tip) and B<sub>i</sub> (Ring) pins. The A<sub>i</sub> (Tip) and B<sub>i</sub> (Ring) pins are also used to send the ringing signal to the telephone. The Le77D11 VoSLIC device can also be programmed in Disconnect state to place the A and B pins at high impedance with the Switching Regulator disabled.

### DC Feed

DC feed control in the Le78D11/Le77D11 chip set is implemented in the Le77D11 VoSLIC device. The current limit threshold ( $I_{LTH}$ ) can be programmed via the MPI interface of the Le78D11 VoSLAC device. The current limit threshold ( $I_{LTH}$ ) can be programmed up to 30 mA using the recommended  $R_{DC}$  value.

Referring to [Figure 3](#), the DC feed curve consists of two distinct regions. The first region is a flat anti-sat region that supplies a constant Tip-Ring voltage ( $V_{AB}$  open). The second region is a constant current region that begins when the loop current reaches the programmed current limit threshold ( $I_{LTH}$ ). This region looks like a constant current source with 3.2 k $\Omega$  shunt resistor. The short circuit current is nominally 14.4 mA greater than  $I_{LTH}$ .

A block diagram of the DC feed control circuit is shown in [Figure 4](#). In the anti-sat region, current source CS1 creates a constant reference current, which is limited to sub-voice frequencies by  $C_{LPFI}$ . This filtered current is then steered by the Polarity Control, depending on whether the VoSLIC device mode is Standby, Normal Active, or Reverse Polarity. The steered current then takes one of two paths to the Level Shift block, where it is used to set  $V_A$  (TIP) and  $V_B$  (RING). This voltage from the Level Shift block is buffered by the output amplifiers and appears at A<sub>i</sub> (TIP) and B<sub>i</sub> (RING).

When  $I_{LOOP}/500$  becomes greater than  $I_{LTH}/500$ , the difference is subtracted from CS1, and again filtered by  $C_{LPFI}$ . This reduced current causes a reduced DC feed voltage. In Standby and Normal Active, A<sub>i</sub> (TIP) is held constant, while B<sub>i</sub> (RING) is changed to reduce the feed voltage. In Reverse Polarity, A<sub>i</sub> (TIP) and B<sub>i</sub> (RING) are swapped. When  $(I_{LOOP}-I_{LTH})/500 = CS1$ , all of the current from CS1 is subtracted, making the TIP-RING voltage = 0 V. This is the short circuit condition. At least 100  $\Omega$  loop and fuse resistance are required to ensure stability of the A<sub>i</sub> (TIP) and B<sub>i</sub> (RING) output amplifiers.

The capacitor  $C_{LPFI}$ , in conjunction with an internal 25-k $\Omega$  resistor (not shown) is used to create a low pass filter for the DC feed loop. This capacitor should nominally be 4.7  $\mu$ F, setting a 1.4 Hz pole. The purpose of this filter is to separate the operation of the DC feed from voice frequencies, preventing distortion and idle-channel noise.

Normal or Reverse Polarity is controlled by the Le78D11 VoSLAC device through the C3-1 state control pins. Some applications require slew rate control of the transition between these feed states. The capacitor,  $C_{NPRi}$ , may be used to increase the transition time and create a quiet polarity change. In the Normal Active state, the NPRFILTi pin is driven up to  $V_{CC}$ .

When Reverse Polarity is selected,  $C_{NPRi}$  is discharged by current  $I_{NPR}$ , and the transition time is:

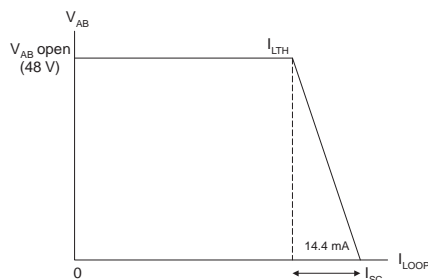
$$\Delta t = \frac{(V_{CC} - V_{REF}) \cdot C_{NPRi}}{I_{NPR}}$$

In the Reverse Polarity state, the NPRFILTi pin is discharged near ground. When Normal Active is selected,  $C_{NPRi}$  is charged by current  $I_{NPR}$ , and the transition time is:

$$\Delta t = \frac{V_{REF} \cdot C_{NPRi}}{I_{NPR}}$$

A 100-nF capacitor provides a nominal Normal Active to Reverse Polarity transition time of about 5 ms and a Reverse Polarity to Normal Active transition time of 3 ms.

**Figure 3. DC Feed Curve**

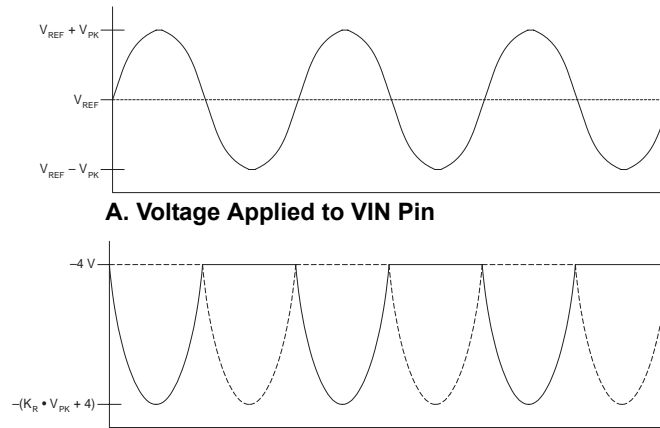


$$I_{SC} = I_{LTH} + 14.4 \text{ mA}$$

$$I_{LTH} = \frac{V_{DC}}{R_{DC}K_{DC}} = \frac{V_{DC}}{40}$$



**Figure 5. Ringing Waveforms**



**B. Voltage Output at A (Tip) (dashed line) and B (Ring) (solid line) Pins**

## Switcher Controller

The switcher controller's main function is to provide a negative power supply ( $V_{REG}$ ) that tracks Tip and Ring voltage for the two-wire interface. As Tip and Ring voltage decreases, the switcher will likewise lower  $V_{REG}$ . In doing so, the switcher saves power because the device is not forced to maintain static supply voltage in all states.

The switching power supply controller uses a discontinuous mode buck-boost voltage converter topology. The frequency of operation is programmed by the Le78D11 VoSLAC device and is typically 85.3 kHz (256 kHz/3). The Le78D11 VoSLAC device outputs a clock at its programmed frequency with approximately a 10% duty cycle which is fed into the CHCLK pin of the Le77D11 VoSLIC device. This clock signal controls the switching supply's operating frequency as well as the switching supply's maximum duty cycle. The Le77D11 VoSLIC device adjusts the actual duty cycle up to the maximum of 90% depending on the magnitude of the error voltage on the compensation (CHS) pin. The error signal is generated by integrating the difference in control current which is set by the Le77D11 VoSLIC device, and the feedback current. This error signal will converge to a value which in turn sets the duty cycle of the switching supply to satisfy feedback loop requirements.

A control current (See [Figure 6. Switching Power Supply Block Diagram, on page 7](#)) is generated on the Le77D11 VoSLIC device and is set to force  $V_{REG}$  to track Tip and Ring line conditions to optimize system power efficiency. In equilibrium, the control current, which is fed into the CHS summing node, is set to provide the required line voltage plus an offset to give headroom for the power amplifiers.

The error signal on CHS is compared to an internal ramp signal. The ramp rate of this internal ramp signal is set by a resistor,  $R_{RAMP}$ , to analog ground (AGND) on the FSET pin. A 1% resistor should be chosen to give the ramp precise control, and prevent internal nodes from going into saturation.  $R_{RAMP}$  is determined by the equation:  $R_{RAMP} = (24 \cdot 10^9 \Omega \cdot \text{Hz}) / (\text{CHCLK Frequency})$ .

When the CHCLK signal goes from a logic high to a logic low, it will initiate a cycle by resetting the ramp, resetting a current limit latch, and turning on the external power switch. Then, on a cycle-by-cycle basis, one of three events will shut off the power switch depending on which event occurs first:

- The ramp voltage exceeds the error voltage that is integrated on the CHS node (normal voltage feedback operation).
- The CHCLK goes high (90% duty cycle point is reached).
- The power switch current limit threshold is reached.

Cycle-by-cycle current limiting is provided by the current sense ILS pin which senses the external power switch current through the resistor  $R_{LIM}$ . If this pin exceeds  $-0.28 \text{ V}$  with respect to  $V_{SW}$ , the switching supply will set the current limit latch and shut off the external switch drive until the CHCLK pin goes high to reset the latch. This peak inductor current, and also peak switching converter power output can be controlled on a cycle-by-cycle basis and set by the equation  $I_{LIM} = |0.28 \text{ V}| / R_{LIM}$ .

This sensing configuration has the added benefit that if the clock signal is removed for some reason, the power switch cannot be left on indefinitely.

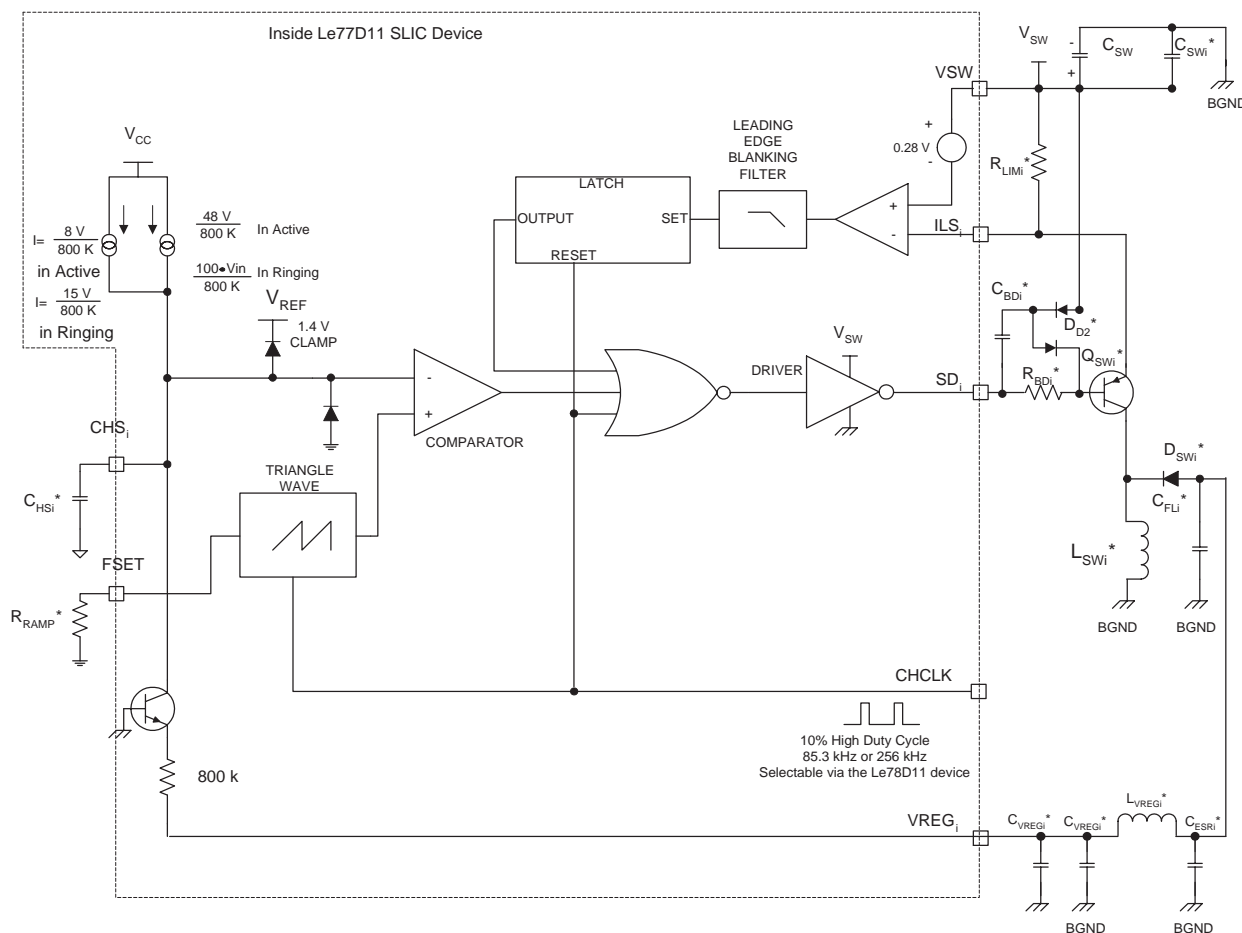
A leading edge blanking filter is added at the output of the latch to ignore the first 150 ns of a current limit event. This feature is used to ignore a false current trip that may be caused by the power switch driving the reverse recovery charge ( $Q_{RR}$ ) of the external power rectifier.

This circuit has been optimized for operation to supply 20-Hz ringing of 90-V peak with a nominal supply voltage,  $V_{SW}$ , of 12 V.

The on chip driver is designed to drive an external PNP transistor. Its output drive is clamped between 7-9 V below  $V_{SW}$ , and can source or sink approximately 100 mA. The driver has approximately  $50 \Omega$  of source resistance. When a PNP transistor is used, additional resistance should be added from the  $SD_i$  pin to the base of the external power device.

For this application,  $R_{BD}$  is  $180\ \Omega$  and capacitor  $C_{BD}$  is  $27\ \text{nF}$  to increase the switching speed and efficiency. This increases the power available during the Ringing state when the converter operates at the highest currents. The capacitors  $C_{FL}$  and  $C_{VREG}$  use very low ESR film capacitors to minimize ripple and noise on  $V_{REG}$ . The capacitance is sized to permit more rapid charging of the capacitors, and hence a faster slew rate. Reduction of switcher noise is accomplished by using lower ESR capacitors and increasing the value of the  $L_{VREG}$  inductor in the post filter. The power supply output is able to track the ringing waveform under these conditions.

**Figure 6. Switching Power Supply Block Diagram**



**Note:**

\* denotes external components

## Signal Transmission

In Normal Active and Reverse Polarity states, the AC line current is sensed across the internal resistors,  $R_S$  (see [Figure 7. Transmission Block Diagram, on page 8](#)), summed, attenuated and converted to voltage at the CFILT pin. This voltage then goes through a high pass filter (with a nominal 13 Hz corner frequency), implemented using an on-chip  $8\ \text{k}\Omega$  nominal resistor and an external  $C_{HP}$  capacitor, is amplified, and sent to the Le78D11 VoSLAC device at the VOUT pin. The output is proportional to the AC metallic component of the line voltage. Additionally, the signal transmission block receives the analog signal from the Le78D11 VoSLAC device. The analog signal is amplified and sent to the line. A proportion of the signal at  $V_{OUT}$  is also fed back to the line.

There are three parameters which define the AC characteristics of the Le77D11 VoSLIC device. First is the input impedance presented to the line or two-wire side ( $Z_{2WIN}$ ), second is the gain from the four-wire ( $V_{IN}$ ) to the two-wire ( $V_{AB}$ ) side ( $G_{42}$ ), and third is the gain from the two-wire side to the four-wire ( $V_{OUT}$ ) side ( $G_{24}$ ).

### Input Impedance ( $Z_{2WIN}$ )

$Z_{2WIN}$  is the impedance presented to the line at the two-wire side, and is defined by:

$$Z_{2WIN} = 2R_F + K_V K_{OUT} R_{IMT}$$

where  $2 \cdot R_F$  is the total resistance of the external fuse resistors in the circuit,  $R_{IMT}$  is the impedance setting resistor,  $K_{OUT}$  is the gain from  $V_{OUT}$  to  $V_{AB}$ , and  $K_V$  is the voice current gain defined in the Transmission Specifications Table. Note that the equation reveals that  $Z_{2WIN}$  is a function of the selectable resistors,  $R_{IMT}$  and  $R_F$ . For example, if  $R_F = 0 \Omega$  and  $R_{IMT}$  is 100 k, the terminating impedance is 600  $\Omega$ . This is the configuration used in this data sheet for defining the device specifications. However, in a real application,  $R_F = 50 \Omega$  is recommended, producing a total input impedance of 700  $\Omega$  which is a good starting point for meeting worldwide requirements using the programmable filters of the Le78D11 VoSLAC device.

### Two-Wire to Four-Wire Gain ( $G_{24}$ )

The two-wire to four-wire gain is the gain from the phone line to the  $V_{OUT}$  output of the Le77D11 VoSLIC device. To solve for  $G_{24}$ , the  $V_{IN}$  pin is grounded (see [Figure 7](#)).

$$\frac{V_{OUT}}{V_{AB}} = G_{24} = \frac{1}{\frac{2R_F}{K_V R_{IMT}} + K_{OUT}}$$

or

$$G_{24} = -20 \log \left( K_{OUT} + \frac{2R_F}{K_V R_{IMT}} \right) \text{ in dB}$$

Using the values of  $R_{IMT}$  and  $R_F$  from the application example,  $G_{24}$  for this circuit is -10.9 dB.

### Four-Wire to Two-Wire Gain ( $G_{42}$ )

$G_{42}$  is the gain from the  $V_{IN}$  input to the line. This gain is defined as  $V_{AB}/V_{IN}$ .

$$\frac{V_{AB}}{V_{IN}} = G_{42} = \frac{K_{IN} \left( \frac{R_L}{R_L + 2R_F} \right)}{\left( 1 + \frac{K_{OUT} R_{IMT} K_V}{R_L + 2R_F} \right)}$$

or

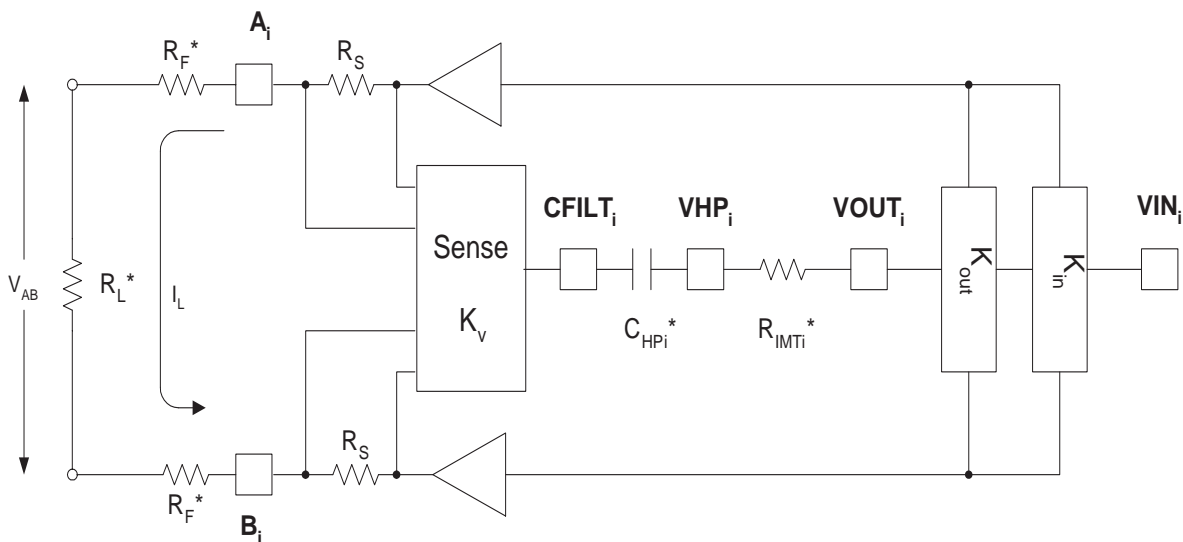
$$G_{42} = -20 \log \left( \frac{K_{IN} \left( \frac{R_L}{R_L + 2R_F} \right)}{\left( 1 + \frac{K_{OUT} R_{IMT} K_V}{R_L + 2R_F} \right)} \right) \text{ in dB}$$

where  $K_{IN}$  is the gain from  $V_{IN}$  to  $V_{AB}$ . Using the values of  $R_{IMT}$  and  $R_F$  from the application example and  $R_L = 600 \Omega$ ,  $G_{42}$  for this circuit is 7.3 dB.

**Note:**

Equation derivations can be found in the Legerity Le77D11/Le78D11 Chip Set User's Guide (document ID# 080716).

**Figure 7. Transmission Block Diagram**



**Note:**

\* denotes external components



## Fault Detection

Each channel of the Le77D11 Dual VoSLIC device has a fault detection pin,  $\bar{F}_1$  or  $\bar{F}_2$ . These pins are driven low when a longitudinal current fault or foreign voltage fault occurs (see [Figure 4, DC Feed Block Diagram, Active and Standby Modes, on page 5](#)). When not in Disconnect state, there are three conditions that will cause the  $\bar{F}_i$  pin to indicate a fault condition:

- $|I_A - I_B| > I_{LONG}$
- In Normal Active and Standby state, a foreign voltage fault occurs in which  $V_A$  is above ground or  $V_B$  is close to  $V_{REG}$
- In Reverse Polarity state, a foreign voltage fault occurs in which  $V_B$  is above ground or  $V_A$  is close to  $V_{REG}$

In the Disconnect state, fault detection is not supported; however, fault conditions can be monitored by the Le78D11 device.

For more details on AC, DC fault detection, loss of power, or clock-failure alarm, please refer to the Legerity *Le77D11/Le78D11 Chip Set User's Guide* (document ID# 080716).

## Signal Conditioning

The  $RDC_i$  pin is used to set the DC feed current limit, as described in the DC feed section.

The  $IMT_i$  pin provides  $K_{DC}$  times the loop current to the Le78D11 VoSLAC device. The Le78D11 VoSLAC device implements all loop supervision and ring trip processing on this signal.

$$I_{IMT} = \frac{I_A + I_B}{2} \cdot K_{DC}$$

## Thermal Overload

When the die temperature around the power amplifier of an Le77D11 Dual VoSLIC device channel reaches approximately 160°C, the  $IMT$  pin of that channel is pulled High. At the same time, all the blocks controlling that channel of the device are shut off, except for the logic interface block. The VoSLIC channel goes into a state similar to Disconnect, making the line current zero. When the temperature drops below 145°C, the VoSLIC channel returns to its previous state. It is important to recognize that even while a channel experiences thermal overload, the state of the device can be modified. At TSD, the switcher is turned off.

## Control Logic

Each channel of the Le77D11 VoSLIC device has three input pins from the Le78D11 VoSLAC device (C3, C2, and C1). The inputs set the operational state of each channel. There are six operational VoSLIC device states (See [Table 1](#)): Low Power Standby, Disconnect, Normal Active, Reverse Polarity, Ringing and Line Test. This leaves two reserved logic states.

**Table 1. Device Operating States**

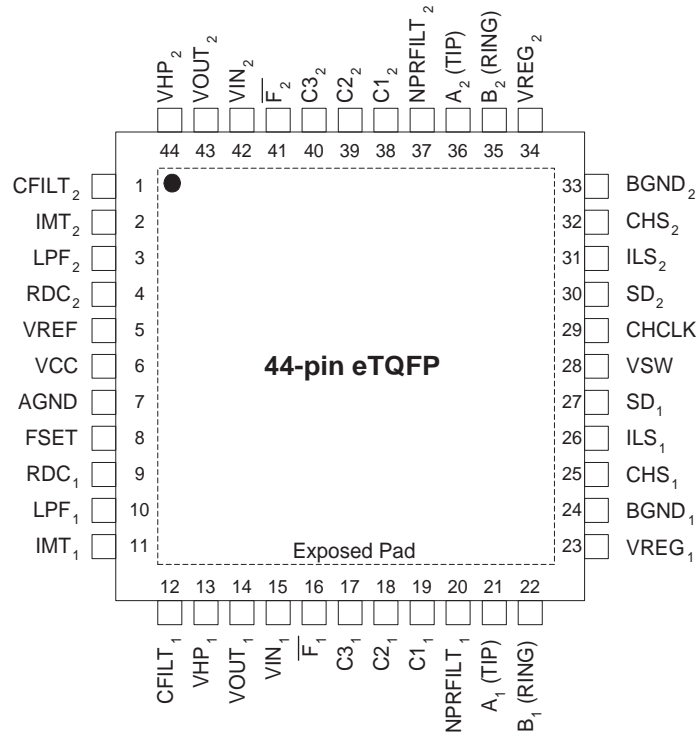
C3	C2	C1	Operating Mode	Description
0	0	0	Low Power Standby	Voice transmission disabled. Maximum loop current capability and loop current sensing range are reduced.
0	0	1	Disconnect	Le77D11 Dual VoSLIC device channel is shut down and switching power supply is shut off.*
0	1	0	Normal Active	Le77D11 Dual VoSLIC device channel fully operational. $A_i$ (TIP) is more positive than $B_i$ (RING). Also used for on-hook transmission.
0	1	1	Reverse Polarity	Similar to normal active, but DC polarity is reversed so that the $B_i$ (RING) lead is more positive than the $A_i$ (TIP) lead. Also used for on-hook transmission.
1	0	0	Ringing	Ringing state with $V_{AB}$ set to $K_R \cdot V_{IN}$ . The switching supply maintains minimum headroom for the sourcing and sinking amplifiers in order to maximize power efficiency.
1	0	1	Line Test State	Similar to ringing state with reduced bias currents for lower noise. Loop current sensing range is limited. See $IMT$ pin specifications.
1	1	0	Reserved	Not used.
1	1	1	Reserved	Not used.

**Note:**

\* When in Disconnect state, the DC-DC converter is disabled and the  $V_{REG}$  voltage will decay to 0 V. The  $A_i$  and  $B_i$  outputs are disabled; however, they still have ESD protection diodes to BGND and VREG which will provide a low impedance clamp to any line voltages  $>\pm 0.5$  V.

\*When transitioning from any state to Disconnect, the Le77D11 device momentarily passes through Reverse Polarity, pulling the A-lead towards Vreg. During line testing, when the SLIC device is placed in the Disconnect state, wait >3 seconds before proceeding with line measurements.

# CONNECTION DIAGRAM



**Note:**

1. Pin 1 is marked for orientation.

## PIN DESCRIPTIONS

Pin Name	Type	Description
AGND	Ground	Analog and digital ground return for VCC circuitry (common to both channels).
A <sub>1,2</sub> (Tip)	Output	A (Tip) lead power amplifier outputs for channels 1 and 2.
BGND <sub>1,2</sub>	Ground	Supply ground return for power amplifiers on channel 1 and 2.
B <sub>1,2</sub> (Ring)	Output	B (Ring) lead power amplifier outputs for channels 1 and 2.
C <sub>1,1</sub> , C <sub>2,1</sub> , C <sub>3,1</sub>	Input	Logic control inputs to control channel 1 state.
C <sub>1,2</sub> , C <sub>2,2</sub> , C <sub>3,2</sub>	Input	Logic control inputs to control channel 2 state.
CFILT <sub>1,2</sub>	Output	AC coupling pins for 4-wire (VOUT) amplifiers of channels 1 and 2.
CHCLK	Input	Switching power supply clock input that sets the frequency and maximum duty cycle of the switcher (common to both channels).
CHS <sub>1,2</sub>	Input	Compensation nodes for switching power supply channels 1 and 2.
$\bar{F}_{1,2}$	Output	Fault detect pins for channels 1 and 2. A low indicates a fault for the respective channel, which can be triggered by large longitudinal current, or ground key.
FSET	Input	Ramp rate control pin for 85.3 kHz operation.
IMT <sub>1,2</sub>	Output	Current output equal to the loop current divided by 500. During thermal overload, IMT is forced High.
ILS <sub>1,2</sub>	Input	Voltage sense pins to limit peak current in external switching power supply transistors (channels 1 and 2).
LPF <sub>1,2</sub>	Output	A capacitor tied from these pins to AGND stabilizes the DC feed loop, and lowers Idle Channel Noise for channels 1 and 2.
NPRFILT <sub>1,2</sub>	Output	An optional capacitor tied from these pins to AGND controls the reverse polarity slew rate of channels 1 and 2.
RDC <sub>1,2</sub>	Input	Resistor connection to programmable VDC <sub>i</sub> pin of Le78D11 VoSLAC device to set DC feed current limit threshold (I <sub>LTH</sub> ) of each channel.
SD <sub>1,2</sub>	Output	Base (gate) drive for switching power supply transistor (channels 1 and 2).
VCC	Supply	A nominal 3.3 V power supply for internal VCC circuitry (common to both channels).
VHP <sub>1,2</sub>	Output	High pass inverting summing nodes of the VOUT amplifiers driven by the AC current coming from CFILT <sub>1</sub> and CFILT <sub>2</sub> .
VOUT <sub>1,2</sub>	Output	Analog (4-wire side) VOUT amplifier output.
VIN <sub>1,2</sub>	Input	Analog (4-wire side) voice or ringing signal inputs. These pins multiplex between 4-wire voice input and ringing input depending on the programmed state of the Le77D11 VoSLIC device channel.
VREF	Supply	A nominal 1.4 V reference supplied by the Le78D11 VoSLAC device for internal use (common to both channels).
VREG <sub>1,2</sub>	Supply	Negative regulated power supplies generated by the Le77D11 VoSLIC device Switching Regulators. (Channels 1 and 2).
VSW	Supply	A positive supply used to generate the negative supplies of V <sub>REG1</sub> , V <sub>REG2</sub> (common to both channels).
Exposed Pad	Isolated	Exposed pad on underside of device must be connected to a heat spreading area. The AGND plane is recommended.

## ABSOLUTE MAXIMUM RATINGS

Stresses above those listed under *Absolute Maximum Ratings* can cause permanent device failure. Functionality at or above these limits is not implied. Exposure to absolute maximum ratings for extended periods can affect device reliability.

Storage temperature	-55 to +150°C
Ambient temperature, under bias	-40° to 85°C
V <sub>CC</sub> with respect to AGND	-0.4 to +6.5 V
V <sub>REG</sub> with respect to BGND	+0.4 to -115 V
BGND with respect to AGND	-100 to 100 mV
A (Tip) or B (Ring) to BGND:	
Continuous	V <sub>REG</sub> -1 to BGND +1
10 ms (F = 0.1 Hz)	V <sub>REG</sub> -5 to BGND +5
1 μs (F = 0.1 Hz)	V <sub>REG</sub> -10 to BGND +10
250 ns (F = 0.1 Hz)	V <sub>REG</sub> -15 to BGND +15
Current from A (Tip) or B (Ring)	±150 mA
C1, C2, C3 to AGND	-0.4 to V <sub>CC</sub> + 0.4 V
CHCLK	AGND to V <sub>CC</sub>
V <sub>SW</sub>	BGND to +44 V
V <sub>REF</sub>	AGND to V <sub>CC</sub>
Maximum power dissipation, T <sub>A</sub> = 85° C (See notes)	1.8 W
Thermal Data: In 44-pin eTQFP package	θ <sub>JA</sub> 32° C/W
Thermal Data: In 44-pin eTQFP package	θ <sub>JC</sub> 9.2° C/W
ESD Immunity (Human Body Model)	JESD22 Class 1C compliant

### Notes:

Thermal limiting circuitry on chip will shut down the circuit at a junction temperature of about 165°C. Continuous operation above 145°C junction temperature may degrade device reliability.

The thermal performance of a thermally enhanced package is assured through optimized printed circuit board layout. Specified performance requires that the exposed thermal pad be soldered to an equally sized exposed copper surface, which, in turn, conducts heat through 16 0.3 mm diameter vias on a 1.27 mm pitch to a large (> 500 mm<sup>2</sup>) internal copper plane. (Refer to Legerity application note *Layout Considerations for the Le77D112 and Le9502 Devices*, document ID# 081013).

### Package Assembly

The green package devices are assembled with enhanced environmental compatible lead (Pb), halogen, and antimony-free materials. The leads possess a matte-tin plating which is compatible with conventional board assembly processes or newer lead-free board assembly processes. The peak soldering temperature should not exceed 245°C during printed circuit board assembly.

The standard (non-green) package devices are assembled with industry-standard mold compounds, and the leads possess a tin/lead (Sn/Pb) plating. These packages are compatible with conventional SnPb eutectic solder board assembly processes. The peak soldering temperature should not exceed 225°C during printed circuit board assembly.

Refer to IPC/JEDEC J-Std-020B Table 5-2 for the recommended solder reflow temperature profile.

## OPERATING RANGES

Legerity guarantees the performance of this device over commercial (0° to 70°C) and industrial (-40° to 85°C) temperature ranges by conducting electrical characterization over each range, and by conducting a production test with single insertion coupled to periodic sampling. These characterization and test procedures comply with section 4.6.2 of Bellcore GR-357-CORE Component Reliability Assurance Requirements for Telecommunications Equipment.

### Environmental Ranges

Ambient Temperature	-40° to 85°C
---------------------	--------------

### Electrical Ranges

V <sub>CC</sub>	3.3 V ± 5%
V <sub>SW</sub>	8 to 40 V
V <sub>REF</sub>	1.40 V ± 50 mV
V <sub>REG</sub>	-7 to -110 V (0 V in Disconnect state)

## ELECTRICAL CHARACTERISTICS

Unless otherwise noted, test conditions are:  $V_{CC} = 3.3\text{ V}$ ,  $V_{SW} = 12.0\text{ V}$ ,  $V_{REF} = 1.4\text{ V}$ . For Active, Reverse Polarity, Line Test and Disconnect,  $V_{DC} = 0.6\text{ V}$  ( $I_{LTH} = 15\text{ mA}$ ); for Standby,  $V_{DC} = 0.4\text{ V}$  ( $I_{LTH} = 10\text{ mA}$ ). AGND = BGND, there are no fuse resistors,  $R_L = 600\ \Omega$ ,  $-40^\circ\text{C} < T_A < 85^\circ\text{C}$ , 85.3 kHz CHCLK. Ringing configuration is  $V_{IN} = 0.7\text{ Vpk}$  20-Hz sinusoidal. Line Test configuration is  $V_{IN} = 0.5\text{ Vdc}$ . Please refer to the test circuit on [page 18](#) for all other component values.

### Supply Currents and Power Dissipation

Operation States	Condition	3.3 V VCC Supply Current (mA)			VREG Supply Current (mA) (Note 4)			VREG Supply Power (mW)			SLIC Device Power (mW) (Note 5)			VSW Pin Current (mA)	Note
		Min	Typ	Max	Min	Typ	Max	Min	Typ	Max	Min	Typ	Max	Typ	
Standby	$R_L = \text{open}$ $V_{IN} = 0\text{ V}$	2	5	7	0.25	0.9	2.2	15	50	105	20	65	110	2.0	1
Disconnect	$R_L = \text{open}$ $V_{IN} = 0\text{ V}$	1	3	5	—	0.1	—	0	0.5	3	5	10	15	0.1	1
Active	$R_L = \text{open}$ $V_{IN} = 0\text{ V}$	3	6	9	1	3	4.2	75	160	245	80	165	250	2.5	1
	$R_L = 900\ \Omega$ $V_{IN} = 0\text{ V}$	—	7	—	—	26	—	—	820	—	—	360	—	4.6	1, 2
	$R_L = 300\ \Omega$ $V_{IN} = 0\text{ V}$	4	7	10	26	33	40	500	730	1000	300	430	565	4.1	1
Pol Rev	$R_L = \text{open}$ $V_{IN} = 0\text{ V}$	3	6	9	1	3	4.2	75	160	245	80	165	250	2.5	1, 2
	$R_L = 900\ \Omega$ $V_{IN} = 0\text{ V}$	—	7	—	—	26	—	—	833	—	—	360	—	4.6	1, 2
	$R_L = 300\ \Omega$ $V_{IN} = 0\text{ V}$	4	7	10	26	33	40	500	730	1000	300	430	565	4.1	1
Ringing	$R_L = \text{open}$ $V_{IN} = 0.7\text{ Vac}$	—	6	—	—	3	—	—	152	—	—	180	—	2.1	1, 2
	$R_L = 1400\ \Omega$ $V_{IN} = 0.7\text{ Vac}$	4	7	9	33	38	42	2000	2500	2900	600	750	900	5.7	1, 3
Line Test	$R_L = \text{open}$ $V_{IN} = 0.5\text{ Vdc}$	2	5	8	1	2	5	90	170	280	90	170	280	2.6	1

#### Notes:

1. Values shown are for one channel only but are tested with both channels in the same state.
2. Not tested in production. Parameter is guaranteed by characterization or correlation to other tests.
3. Production test forces  $V_{in}=0.5\text{ Vdc}$  which is equivalent to  $V_{in}=0.7\text{ Vac}$ .
4.  $I_{VSW} = \frac{V_{REG} \cdot I_{VREG}}{\eta \cdot V_{SW}}$ , where  $\eta$  = efficiency. For our recommended circuit, an efficiency of 0.6 can be assumed under heavy loads.
5. VoSLIC device power is defined as the power delivered through the VCC and VREG pins minus the power delivered to the load. It does not include any power associated with the VSW pin and the external switcher.

## SPECIFICATIONS

### System Specifications

The performance targets defined in this section are for a system using the Le78D11/Le77D11 chip set. Specifications for the Le78D11 VoSLAC device are published separately.

Item	Condition	Min	Typ	Max	Unit	Note
Output Impedance during internal ringing	Ringing mode, Le78D11 VoSLAC device generating internal ringing		2 • RF		Ω	4.
Sinusoidal Ringing THD	Ringing mode, R <sub>L</sub> = 1500 Ω generating internal sinusoidal ringing		2		%	4.
<b>Signaling Performance Limits</b>						
Hook switch threshold	ITH = 10 mA	7		13	mA	4.
Hook switch hysteresis	All ITH settings		10		%	3.
Internal Ring-trip Accuracy	RTSL = 2.2 W (07h)	-20		+20	%	4.

### Device Specifications

Specification	Condition	Min	Typ	Max	Unit	Note
<b>Line Characteristics</b>						
V <sub>A</sub> , Active V <sub>B</sub> , Reverse Polarity	R <sub>L</sub> = open		-4		V	
V <sub>A</sub>	Standby, R <sub>L</sub> = open		-1			
V <sub>AB</sub>	Active or Reverse Polarity, R <sub>L</sub> = open	45	48	51		1.
V <sub>AB</sub> open	Standby, R <sub>L</sub> = open	45	48	54.5		1.
V <sub>REG</sub>	Active or Reverse Polarity, R <sub>L</sub> = open	-50	-58	-66		
V <sub>REG</sub>	Standby, R <sub>L</sub> = open	-49.5	-54	-62		
Current limit threshold I <sub>LTH</sub> accuracy	Active or Reverse Polarity	13	15	17	mA	4.
	Standby	8	10	12		
Loop Current, I <sub>L</sub> accuracy	Active or Reverse Polarity, R <sub>L</sub> = 600 Ω; I <sub>LTH</sub> = 15 mA	I <sub>LTH</sub> + 7	I <sub>LTH</sub> + 11.3	I <sub>LTH</sub> + 20		
	Standby R <sub>L</sub> = 600 Ω; I <sub>LTH</sub> = 10 mA	I <sub>LTH</sub> + 7	I <sub>LTH</sub> + 11.5	I <sub>LTH</sub> + 20		
Short circuit loop current, I <sub>SC</sub>	Active or Reverse Polarity, R <sub>L</sub> = 100 Ω; I <sub>LTH</sub> = 15 mA	I <sub>LTH</sub> + 7.8	I <sub>LTH</sub> + 17	I <sub>LTH</sub> + 29		
	Standby R <sub>L</sub> = 100 Ω; I <sub>LTH</sub> = 10 mA	I <sub>LTH</sub> + 10	I <sub>LTH</sub> + 16	I <sub>LTH</sub> + 25		
LPF <sub>i</sub>	Output impedance		25		kΩ	3.
	Bias voltage with respect to GND		2.4		V	
	Leakage current for capacitor value of 4.7 μF ± 20%			0.1	μA	
NPRFILT <sub>i</sub> drive capability	I <sub>NPR</sub>	20	50	100	μA	
<b>Ring and Line Test State</b>						
V <sub>A</sub> , V <sub>B</sub>	V <sub>IN</sub> = 0 V, with respect to V <sub>REF</sub> , R <sub>L</sub> = 1400 Ω		-4		V	3.
V <sub>AB</sub> offset	V <sub>IN</sub> = 0 V, with respect to V <sub>REF</sub> , R <sub>L</sub> = 1400 Ω	-2		+2	V	
Voltage gain, K <sub>R</sub>	R <sub>L</sub> open, K <sub>R</sub> = $\frac{V_{AB}}{V_{IN}}$ R <sub>L</sub> = 1400 Ω, V <sub>IN</sub> = 0.9 Vpk	95	100	105	V/V	1.
Ringing distortion	R <sub>L</sub> = 1400 Ω, V <sub>IN</sub> = 0.9 Vpk		0.5	3.5	%	

Specification	Condition	Min	Typ	Max	Unit	Note
Ringing current limit	$R_L = 100 \Omega$	90	135	180	mApk	4.
<b>Switching Power Supply</b>						
CHCLK			85.3		kHz	3.
Chopper Clock Duty Cycle		7.5	10	12.5	%	3.
ILS <sub>i</sub> Offset (current limit sense threshold)		0.25	0.28	0.31	V	3.
ILS <sub>i</sub>	Input impedance		7000		$\Omega$	
	Bias current	-1		+1	$\mu$ A	
SD <sub>i</sub>	Output impedance		50		$\Omega$	
	Slew Rate negative	3			V/ $\mu$ sec	
	Slew Rate positive	25				
	$V_{OH}$ where $V_{SW} \geq 12$ V, $R_{BD} = 330 \Omega$		$V_{SW} - 0.3$ V	$V_{SW} - 0.2$ V	V	
	$V_{OL}$ where $V_{SW} \geq 12$ V, $R_{BD} = 330 \Omega$	$V_{SW} - 7.2$ V	$V_{SW} - 6.3$ V	$V_{SW} - 5.4$ V		
CHS <sub>i</sub>	Input impedance		1		M $\Omega$	
	Line test and Ringing			180	$\mu$ A	
	Standby and Active			75		
	Disconnect			1		
FSET	Input impedance, tied to $V_{REF}$		10		$\Omega$	
	Offset voltage with respect to $V_{REF}$	-5		+5	mV	
<b>Power Supply Rejection Ratio at the Two-wire interface</b>						
$V_{CC}$ to $V_{AB}$	200 to 4000 Hz	25	45		dB	
	4 to 20 kHz, 50 mV <sub>RMS</sub>	25	30			
$V_{REG}$ to $V_{AB}$	200 to 4000 Hz, 100 mV <sub>RMS</sub>	25	45			4.
	4 to 50 kHz	20	40			
	50 to 100 kHz	15	30			
<b>Longitudinal Capability</b>						
Longitudinal balance	$R_L = 600 \Omega$ , 300 to 3400 Hz, 0 dBm, Active and Reverse Polarity	46	63		dB	
T-L balance	1 kHz, 0 dBm	40	50			
Longitudinal current per pin	A(TIP) or B(RING)	30			mA	4.
Longitudinal impedance	A(TIP) or B(RING), 0 to 100 Hz		1	5	$\Omega$ /pin	4.
Longitudinal current detect, $I_{LONG}$	Fi Low, $R_L$ from B(RING) to GND, Standby, Active, or Reverse Polarity	18	27	35	mA	
<b>Transmission Performance</b>						
2WRL	300 to 3400 Hz, for 600 $\Omega$	26			dB	4.
$K_{DC}$ DC current gain (IMT accuracy)	$K_{DC} = \frac{I_{IMT}}{I_{LOOP}}$ , $R_L = 600 \Omega$ , Active, Standby, Reverse Polarity	$-\frac{1}{525}$	$-\frac{1}{500}$	$-\frac{1}{475}$	A/A	6.
$K_V$ Voice Current gain	Line Test., Standby $I_L <  40$ mA  Active or Rev. Pol. $I_L <  55$ mA  Ringing $I_L <  90$ mA	$\frac{1}{520}$	$\frac{1}{500}$	$\frac{1}{480}$	A/A	4.

Specification	Condition	Min	Typ	Max	Unit	Note
$V_{IN}$ to $V_{AB}$ ( $K_{IN}$ )	$R_L = \text{open}$ , 0dBm, two-wire	13.7	14	14.3	dB	
$V_{OUT}$ to $V_{AB}$ ( $K_{OUT}$ )		9.34	9.54	9.74		4.
Gain accuracy 4- to 2-Wire	0 dBm, 1 kHz	7.76	7.96	8.16		
Gain accuracy 2- to 4-Wire	0 dBm, 1 kHz	-9.74	-9.54	-9.34		
Gain accuracy 4- to 4-Wire	0 dBm, 1 kHz	-1.78	-1.58	-1.38		
Gain accuracy over frequency	300 to 3400 Hz, Relative to 1 kHz	-0.1		+0.1		
Gain tracking at 1kHz, relative to 0 dBm	-30 to +3 dBm, 2-Wire	-0.1		+0.1		
	-55 to -30 dBm, 2-Wire	-0.1		+0.1		4.
Gain tracking, On Hook, relative to 0 dBm	0 to -30 dBm, 2-wire	-0.15		+0.15		4., 7.
	+3 to 0 dBm, 2-wire	-0.35		+0.35		4., 7.
THD (Total Harmonic Distortion)	0 dBm, 2-wire, 1 kHz		-64	-50		
	+7 dBm, 2-wire, 1 kHz		-55	-40		
THD, On Hook	0 dBm, 2-wire, 1kHz			-36		7.
Overload Level, 2-Wire	Active or Reverse Polarity, 1kHz	2.5			Vpk	2.
Idle Channel Noise	C-message		12	15	dBrnC	4.
Idle Channel Noise	Psophometric		-78	-75	dBmP	
$CFILTI_i$	Output impedance		8000		$\Omega$	3., 5.
	Drive capability, Active State	-150		+150	$\mu A$	
$VHP_i$	Input impedance		5		$\Omega$	
	Offset voltage with respect to $V_{REF}$	-20		+20	mV	
$VOUT_i$	Offset voltage with respect to $V_{REF}$	-40		+40	mV	
	Output impedance		1		$\Omega$	3.
	Drive capability, $R_L = 20 \text{ k}\Omega$ to $V_{REF}$	-50		+50	$\mu A$	3.
$VIN_i$	Input impedance	200			$\text{k}\Omega$	3.
	Offset voltage voice	-20		+20	mV	3.
	Ringing and Line Test	-20		+20		3.
$VREF$	Bias current	0		+200	$\mu A$	
Metering gain	$R_L = 300 \Omega$ , 12.0 kHz	4.45	4.70	4.95	dB	4.
	$R_L = 300 \Omega$ , 16.0 kHz					
Metering distortion, $R_L = 300 \Omega$ , $V_{AB} = 1.5 \text{ Vpk}$	Frequency = 12 kHz		-55	-40	dB	4.
	Frequency = 16 kHz					
<b>Crosstalk Between Channels</b>						
Crosstalk coupling loss	F = 200 Hz to 3.4 kHz		-80	-75	dB	
<b>Logic Interface</b>						
Inputs (C1, C2, C3, CHCLK)						8.
$V_{IL}$				0.8	V	
$V_{IH}$		2.0				
$I_{IL}$	$V_{IN} = 0.4 \text{ V}$	-150		+150	$\mu A$	
$I_{IH}$	$V_{IN} = 2.4 \text{ V}$	-100		+100		
Outputs (F)						
$V_{OH}$	$I_{OUT} = -25 \mu A$	2.4	2.8		V	
$V_{OL}$	$I_{OUT} = 25 \mu A$		0.2	0.4		



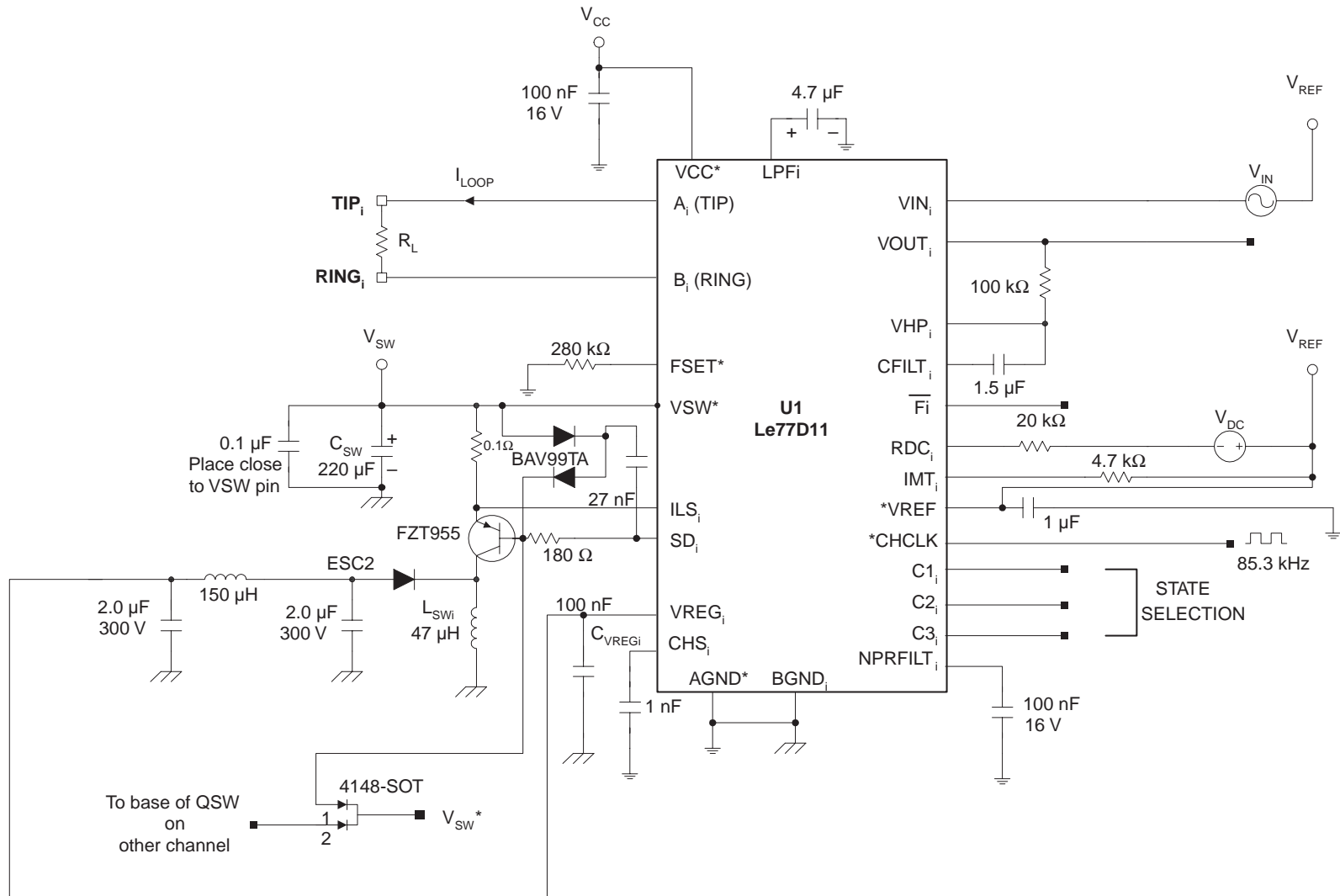
Specification	Condition	Min	Typ	Max	Unit	Note
<b>IMT Pin Characteristics</b>						
IMT <sub>i</sub>	Output impedance		1		MΩ	<a href="#">3.</a>
	Offset current, R <sub>L</sub> = open, V <sub>IMT</sub> = V <sub>REF</sub>	-5		+5	μA	
	Output Range					<a href="#">3.</a>
	Ringing	-180		+180		
Active and Reverse Polarity	-110		+110			
	Standby and Line Test	-80		+80		
Line Test  IMT  current limit	V <sub>IN</sub> = 0.7V, R <sub>L</sub> = 100 Ω with respect to V <sub>REF</sub>	80		120		
V <sub>IMT</sub> Thermal Shutdown	I <sub>IMT</sub> = 1mA	2.8			V	<a href="#">4.</a>

**Notes:**

1. V<sub>AB</sub> = Voltage between the A<sub>i</sub> (Tip) and B<sub>i</sub> (Ring) pins.
2. Overload level is defined when THD = 1%.
3. Guaranteed by design.
4. Not tested in production. Parameter is guaranteed by characterization or correlation to other tests.
5. Layout should have less than 10 pF from pin to ground.
6. I<sub>IMT</sub> = current coming out from IMT pin.
7. When On Hook, R<sub>LDC</sub> is open circuit, R<sub>LAC</sub> = 600 Ω.
8. C3 and C2 have pull-downs and C1 has pull-up to set the device state to Disconnect when the pins are floating.

# TEST CIRCUIT

Per Channel



**Note:**

\* denotes pins that are common to both channels.

i = per channel component.



## APPLICATION CIRCUIT PARTS LIST

The following list defines the parts and part values required to meet target specification limits for 90 Vpk ringing with  $V_{SW} = 12$  V and  $CHCLK = 85.3$  kHz for channel  $i$  of the line card ( $i = 1, 2$ ). The protection circuit is not included.

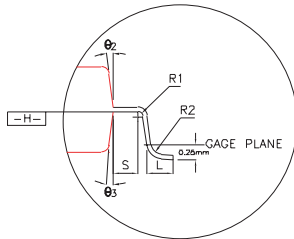
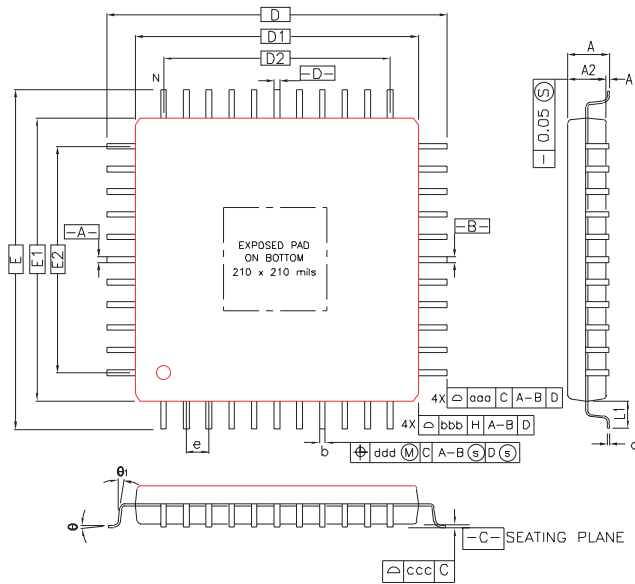
Item	Quantity (see note 1)	Type	Value	Tol.	Rating	Comments	Note
$C_{HSi}$	2	Capacitor	1 nF	10%	50 V	Panasonic / ECJ-1VB1H102K, 0603	
$C_{BDi}$	2	Capacitor	27 nF	10%	16 V	Kemet C0603C273K5RAC	
$C_1, C_2, C_3, C_4$	4	Capacitor	100 nF	10%	16 V	Panasonic / ECJ-1VF1C104Z, 0603	
$C_{ESRi}$	2	Capacitor	0.1 $\mu$ F	10%	200 V	CalChip GMC31X7R104K200NT	
$C_{NPRi}$	2	Capacitor	100 nF	10%	16 V	Panasonic / ECJ-1VB1C104K (optional)	
$C_{VREGi}$	2	Capacitor	100 nF	10%	200 V	CalChip GMC31X7R104K200NT	
$C_{HPi}$	2	Capacitor	1.5 $\mu$ F	10%	6.3 V	Panasonic / ECJ-2YB0J155K,0805	
$C_{LPFi}$	2	Capacitor	4.7 $\mu$ F Tantalum	20%	6.3 V	Panasonic ECS-TOJY475R	
$C_{FL1}, C_{FL2}$ $C_{VREG1}$	6	Capacitor	1.0 $\mu$ F, ESR < 40 m $\Omega$	10%	200 V	Tecate CMC-300/105KX1825T060	
$C_{SW}$	1	Capacitor	220 $\mu$ F Alum. Elect.	20%	25 V	Nichicon / UPW1E221MPH	
$C_{SW1}$	1	Capacitor	100 nF	10%	50 V	DIGI-KEY / PCC1840CT-ND,0805	
$D_{SWi}$	2	Diode	ES2C		2 A	General Semi. / ES2C	
DD1	1	Diode	4148-SOT		600 mA	Fairchild / MMBD4148CC	
DD2, DD3	2	Diode	BAV99TA		250 mA	Zetex / BAV99TA (DIGI-KEY # BAV99ZXTR-ND)	
$L_{SWi}$	2	Inductor	47 $\mu$ H		2.95 A	Cooper Coiltronics / DR127-470	
$L_{VREGi}$	2	Inductor	150 $\mu$ H		205 mA	Coilcraft 1812LS154X_B	
PTC <sub>1i</sub> , PTC <sub>2i</sub>	4	PTC	50 $\Omega$		250 V	AsiaCom / MZ2L-50R	
$Q_{SWi}$	2	PNP Transistor	FZT955		140 V	Zetex / FZT955	
$R_{LIMi}$	2	Resistor	0.1 $\Omega$	5%	1/4 W	Panasonic ERJ-14RSJR10U / DIGI-KEY P10SCT-ND	
$R_{BDi}$	2	Resistor	180 $\Omega$	1%	1/4 W	Panasonic ERJ-6ENF1820V	
$R_{DCi}$	2	Resistor	20 K	1%	1/16 W	Panasonic / ERJ-3EKF2002V	
$R_{REF}$	1	Resistor	69.8 K	1%	1/16 W	Panasonic / ERJ-3EKF6982V	
$R_{IMTi}$	2	Resistor	100 K	1%	1/16 W	Panasonic / ERJ-3EKF1003V	
$R_{RAMP}$	1	Resistor	280 K	1%	1/16 W	Panasonic / ERJ-3EKF2803V	
$R_{VSi}$	2	Resistor	475 K	1%	1/16 W	Panasonic / ERJ-3EKF4753V	
$R_{SA1i}, R_{SB1i}$ , $R_{SA2i}, R_{SB2i}$	8	Resistor	237 k	1%	1/8 W	Panasonic / ERJ-8ENF2373V	
$R_{OUTi}$	2	Resistor	10 k	1%	1/16 W	Panasonic / ERJ-3KF1002V	
$U3_i$	2	Protector				Bourns / TISP61089BDR	

**Note:**

- Quantities required for a complete two-channel solution.

# PHYSICAL DIMENSIONS

## 44-Pin eTQFP



SYMBOL	MILLIMETER		
	MIN.	NOM.	MAX.
A	—	—	1.20
A1	0.05	—	0.15
A2	0.95	1.00	1.05
D	12.00	BSC.	—
D1	10.00	BSC.	—
E	12.00	BSC.	—
E1	10.00	BSC.	—
R2	0.08	—	0.20
R1	0.08	—	—
$\theta$	0°	3.5°	7°
$\theta_1$	0°	—	—
$\theta_2$	11°	12°	13°
$\theta_3$	11°	12°	13°
c	0.09	—	0.20
L	0.45	0.60	0.75
L1	1.00	REF	—
S	0.20	—	—
b	0.17	0.20	0.27
e	0.80	BSC.	—
D2	8.00	—	—
E2	8.00	—	—
aaa	0.20	—	—
bbb	0.20	—	—
ccc	0.10	—	—
ddd	0.20	—	—
N	44	—	—

NOTES:

1. CONTROLLING DIMENSION IN MILLIMETER UNLESS OTHERWISE SPECIFIED.
2. DIMENSIONS "D1" AND "E1" DO NOT INCLUDE MOLD PROTRUSION. ALLOWABLE PROTRUSION IS 0.25 mm PER SIDE. "D1" AND "E1" ARE MAXIMUM PLASTIC BODY SIZE DIMENSIONS INCLUDING MOLD MISMATCH.
3. DIMENSION "b" DOES NOT INCLUDE DAMBAR PROTRUSION. ALLOWABLE DAMBAR PROTRUSION SHALL NOT CAUSE THE LEAD WIDTH TO EXCEED THE MAXIMUM "b" DIMENSION BY MORE THAN 0.08 mm.
4. DAMBAR CAN NOT BE LOCATED ON THE LOWER RADIUS OR THE FOOT. MINIMUM SPACE BETWEEN PROTRUSION AND AN ADJACENT LEAD IS 0.07 mm FOR 0.4 mm AND 0.5 mm PITCH PACKAGES.
5. SQUARE DOTTED LINE IS E-PAD OUTLINE.
6. "N" IS THE TOTAL NUMBER OF TERMINALS.

---

## REVISION HISTORY

### Revision B1 to C1

- In *Pin Descriptions*, FSET pin, removed reference to 256 kHz operation
- In *Absolute Maximum Ratings*, the following changes were made:
  - Changed  $T_A$  from 22.7° to 32°C/W
  - Changed maximum power dissipation from 2.6 to 1.8 W
  - Added another note describing eTQFP package
- In *Supply Currents and Power Dissipation*, Ringing operation state, removed condition  $V_{IN} = 0.7 V_{DC}$
- In *System Specifications*, first paragraph, removed  $T_A = 0$  to 70°C
- Updated Physical Dimensions drawing

### Revision C1 to D1

- Made updates pertaining to 90 Vpk throughout document

### Revision D1 to E1

- In *Device Specifications*,  $I_{LSI}$  Offset, changed min. from .27 to .25 and max from .29 to .31
- Made updates to *Application Circuit Parts List*, including:
  - Increased voltage ratings on capacitors  $C_{ESRi}$ ,  $C_{VREGi}$ ,  $C_{FLi}$  and  $C_{VREG1}$
  - Changed value of  $C_{FLi}$  and  $C_{VREG1}$  to 1  $\mu$ F

### Revision E1 to F1

- Modified application circuit and BOM to reflect addition of the TISP61089BDR protector

### Revision F1 to G1

- Added green package OPN to [Ordering Information, on page 1](#)
- Added [Package Assembly, on page 12](#)
- Updated DC specifications to Vreg, Isc, IMTi and Metering Gain based on Errata notice April 29 2004 revision A1 for device version JCBB.
- Included operational issues 3.0 from errata notice April 29, 2004.

The contents of this document are provided in connection with Legerity, Inc. products. Legerity makes no representations or warranties with respect to the accuracy or completeness of the contents of this publication and reserves the right to make changes to specifications and product descriptions at any time without notice. No license, whether express, implied, arising by estoppel or otherwise, to any intellectual property rights is granted by this publication. Except as set forth in Legerity's Standard Terms and Conditions of Sale, Legerity assumes no liability whatsoever, and disclaims any express or implied warranty, relating to its products including, but not limited to, the implied warranty of merchantability, fitness for a particular purpose, or infringement of any intellectual property right.

Legerity's products are not designed, intended, authorized or warranted for use as components in systems intended for surgical implant into the body, or in other applications intended to support or sustain life, or in any other application in which the failure of Legerity's product could create a situation where personal injury, death, or severe property or environmental damage may occur. Legerity reserves the right to discontinue or make changes to its products at any time without notice.

**© 2004 Legerity, Inc.**  
All rights reserved.

#### **Trademarks**

Legerity, the Legerity logo and combinations thereof, VoiceEdge, VoSLIC, VoSLAC, and SLAC are trademarks of Legerity, Inc. Other product names used in this publication are for identification purposes only and may be trademarks of their respective companies.



4509 Freidrich Lane  
Austin, Texas 78744-1812

Telephone: (512) 228-5400  
Fax: (512) 228-5508  
North America Toll Free: (800) 432-4009

To find the Legerity Sales Office nearest you, visit our website at:

<http://www.legerity.com/sales>

or email:

[sales@legerity.com](mailto:sales@legerity.com)

To download or order data sheets, application notes, or evaluation tools, go to:

[www.legerity.com/support](http://www.legerity.com/support)

For all other technical inquiries, please contact Legerity Tech Support at:

[techsupport@legerity.com](mailto:techsupport@legerity.com)

or call +1 512.228.5400.