



GDT Specification List:

1. Electrical Characteristics:

No.	Description	M/s. NENSHI	Remarks
1)	DC spark-over voltage at 100V/Sec.	230V±20%	
2)	Impulse spark-over voltage at 1KV/μs	≤750V	
3)	Insulation resistance at 100Vdc	≥10GΩ	
4)	Hold over voltage (current turn-off time) at 135V	<150ms	
5)	Capacitance at 1 KHz	≤3pF	
6)	AC discharge current (50Hz, 1Sec, 10 applications)	10A (per side 5A)	
7)	Impulse current life test:		
	a) 10/1000 μs, 300 Applications	100A Peak	
	b) 8/20 μs, 10 Applications	10KA peak (per side 5KA)	
8)	Fail-safe reaction time at 10A (per side 5A)	≤5Sec	

2. Dimensions (Fig 1):

1)	Length of GDT including pin thickness and bend	13.5+/-0.5mm	
2)	Diameter of GDT	φ 8+/-0.3mm	
3)	Length of the pins protruding over GDT	6.5+/-0.5mm	
4)	Distance between the pins	4.4+/-0.3mm	
5)	Pin Diameter	φ 1.0mm	

3. Environmental Characteristics:

1)	Operation and storage temperature	-40...+90°C	ITU-T K.12
2)	Resistance to soldering heat	350±10°C, 3.5±0.5Sec	IEC60068-2-20
3)	Solderability	235±5°C, 2.0±0.5Sec	IEC60068-2-20
4)	Low temperature	-40°C, duration 2 hours	IEC60068-2-1
5)	Damp heat cyclic	25~40°C, 90~95%, 2 days	IEC60068-2-30
6)	Vibration	10-500Hz, 0.15mm displacement for 90 minutes	IEC60068-2-6
7)	Robustness of terminations		
	a) Lead wire pull strength	20N±10%, 10±1Sec	IEC60068-2-21
	b) Lead wire bending strength	10N±10%, 90°, 2 Cycles	IEC60068-2-21
8)	Free fall	1000mm, 2 times	IEC60068-2-32

4. Packing

1)	Inside box		
	a) Volume	195 × 172 × 9mm	
	b) Quantity	100Pcs	
	c) Weight	~250g	
2)	Outside box		
	a) Volume	365 × 225 × 255mm	
	b) Quantity	5000Pcs	
	c) Weight	~13kg	

5. Marking

1)	Colour	Blue	
2)	Marker	NENSHI 230 YY	230-Nominal voltage YY-Year of production

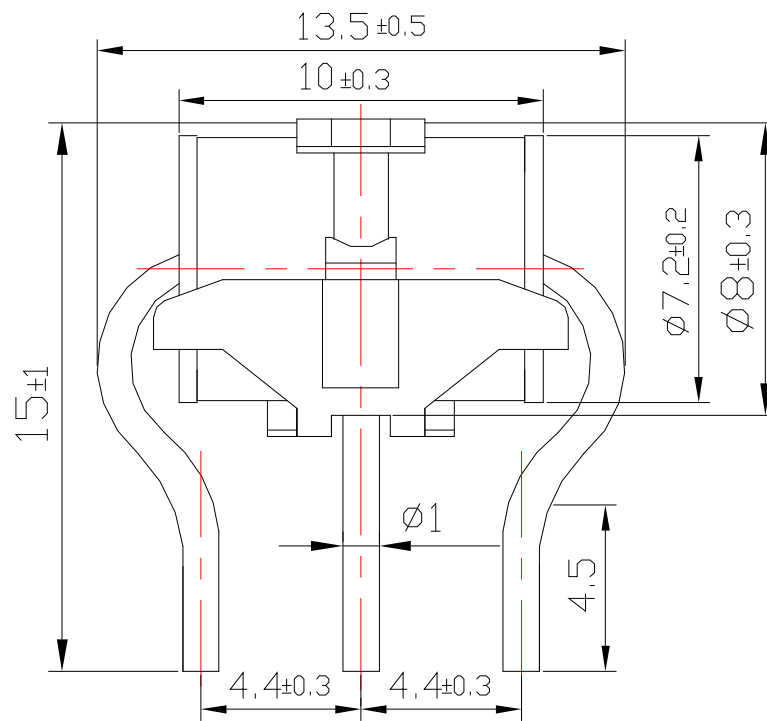
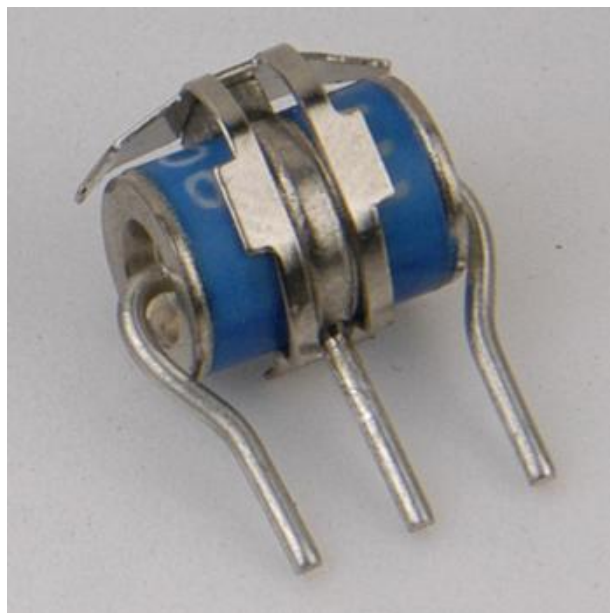


Fig (1)



-The end of Specification-