

## RJ45 with Transformer

KLS12-TL051 100Base 1x1 Tab-down RJ45

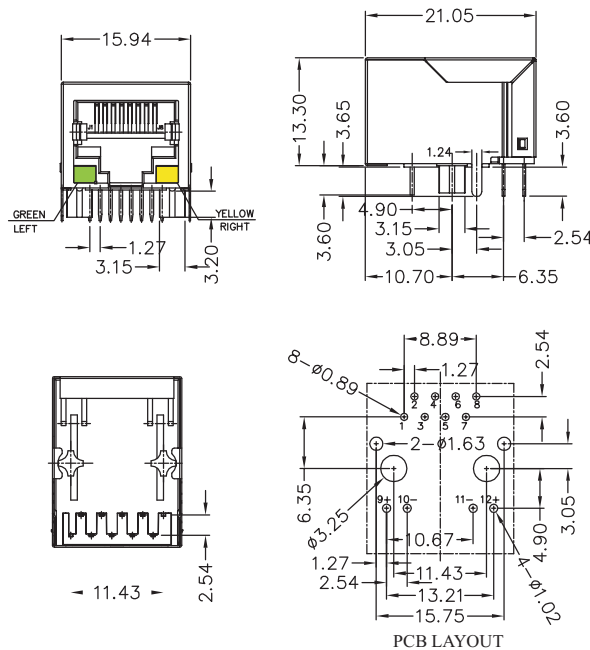
### Electrical Specifications:

#### Specification LED

Standard LED Color	LED Wavelength	Forward (V MAX)	Typical (V TYP)	Luminous Intensity
Green	560-580 nm	2.5V	2.1-2.2V	9-25 MCD
Yellow	580-610 nm	2.5V	2.1-2.2V	9-30 MCD

#### Electrical:

1. Voltage rating: 125V AC.
2. Insulation resistance: 500 megohms MIN @500VDC.
3. Contact resistance: 50 milliohms Max.
4. T/R: TX=1CT:1CT(±2%) & RX=1CT:1CT(±2%).
5. OCL: 350uH Min. at 100KHz 100mV 8mA DC.
6. Insertion Loss: -1.0 dB Max 1MHz to 100MHz.
7. Return loss: -16dB Min From 1MHz to 30MHz;  
-14dB Min From 30MHz to 60MHz;  
-10dB Min From 60MHz to 80MHz.
8. Cross talk: -40dB Min From 1MHz-30MHz;  
-35dB Min From 30MHz-60MHz;  
-30dB Min From 60MHz-100MHz;
9. CMR: -35dB Min From 1MHz-100MHz;
10. Hi-Pot: 1500V AC 6S 1mA



## ORDER INFORMATION

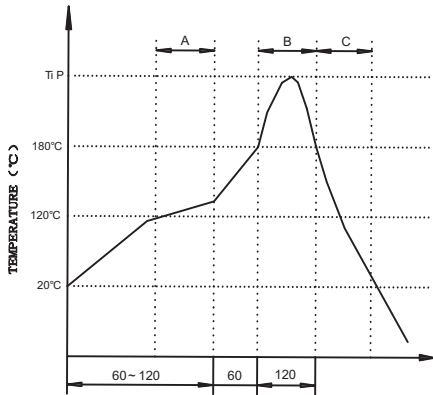
L-KLS12-TL051 -1X1 - G

Part Number	Ports	LED Style
L-KLS12-TL051	1x1 Ports	G/Yellow/Green

## RJ45 with Transformer

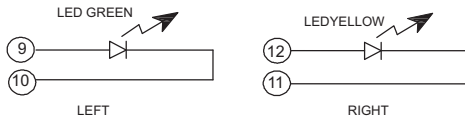
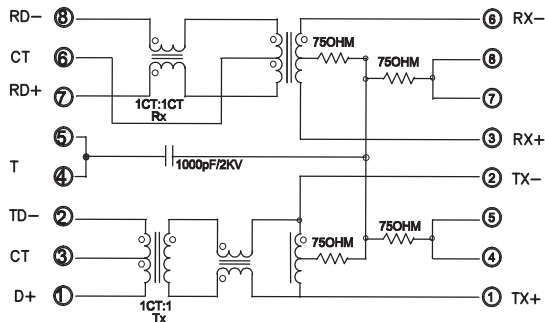
KLS12-TL051 100Base 1x1 Tab-down RJ45

PROFILE OF WAVESOLDER



A. Preheating B. Soldering C. Gradual Cooling  
Tip temperature: 260±5°C.  
Tip temperature time: 5Sec Max.  
Tip melting Point of Sn96.5/Ag3/Cu0.5: 217°C.

After the wave solder, the plastic column of product under the pcb will have a slight plastic melting situation.



**Material:**

Housing :PBT+30%GF,UL94V-0,Black.  
Plastic bracket :PBT+30%GF,UL94V-0,Black.  
Shell: C2680R-H,T=0.20mm,Nickel plated on all area.  
Contact terminal:Phosphor bronze C5210R-EH,T=0.35mm,  
Gold plated 6u" on mating area.  
Solder terminal:Brass,C2680-H,T=0.35mm.Tin plated  
80u"Min. on solder area.

**Mechanical:**

Durability :750 cycles Min.  
Mating force :22N Max.  
Operating temperature:-40°C~+85°C.

## ORDER INFORMATION

L-KLS12-TL051 -1X1 - G

Part Number	Ports	LED Style
	1x1 Ports	G/Yellow/Green