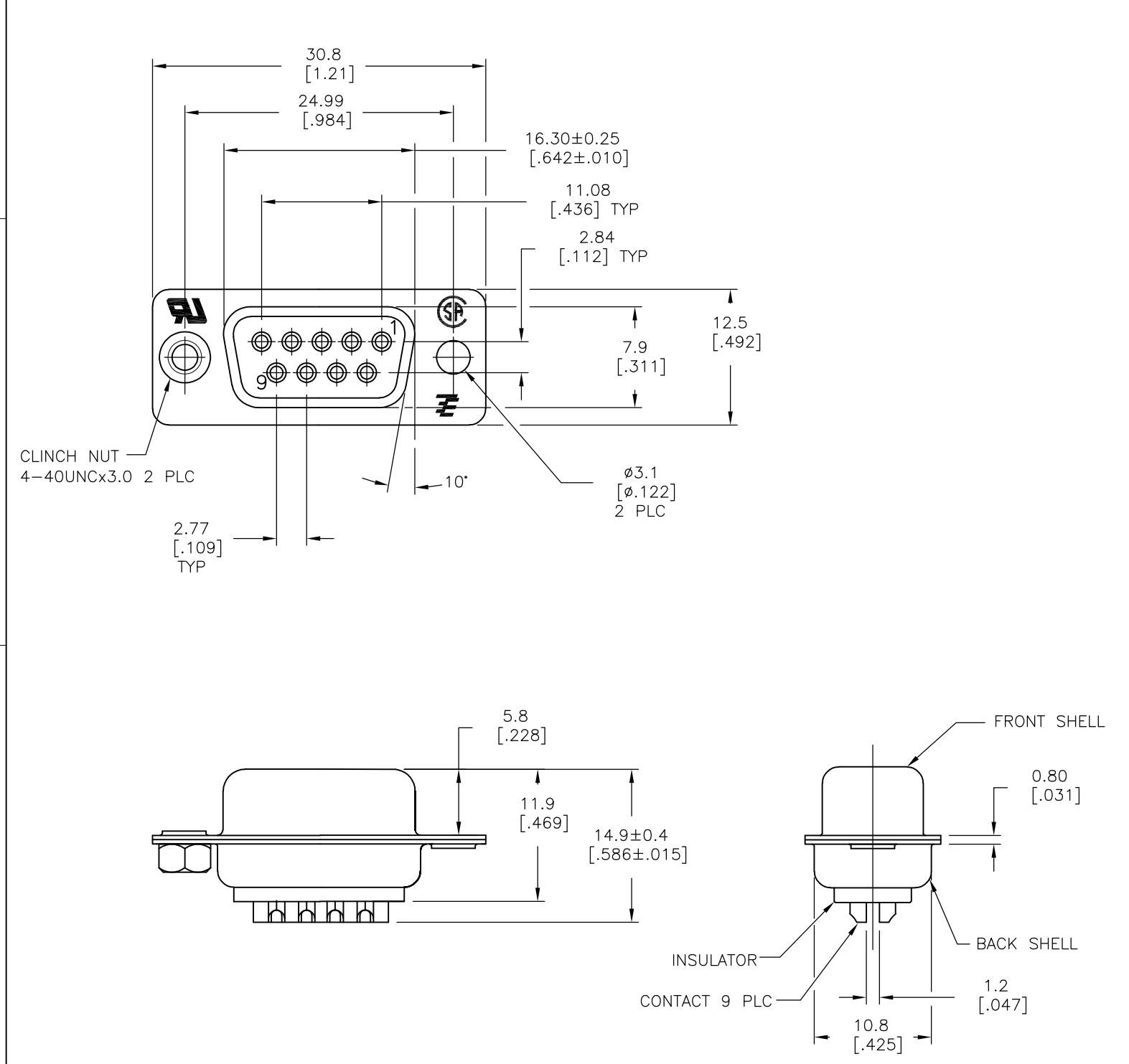


THIS DRAWING IS UNPUBLISHED. RELEASED FOR PUBLICATION
 © COPYRIGHT - By - ALL RIGHTS RESERVED.

LOC	DIST	REVISIONS					
		P	LTR	DESCRIPTION	DATE	DWN	APVD
GP	00		Z	REVISED PER ECO-13-000398	01JUL2013	CJV	CWR



- 1 MATERIAL:
 FRONT INSULATOR: PBT, 30 %GF, UL94V-0, BLACK COLOR
 BACK INSULATOR: PBT, 30 %GF, UL94V-0, BLACK COLOR
 CONTACT: BRASS
 FRONT & BACK SHELL: STEEL
 CLINCH NUTS: BRASS
- 2 FINISH:
 CONTACT: GOLD PLATING 0.00002[.000008] MIN ON CONTACT AREA 0.00229[.000090]
 MIN TIN-LEAD PLATING ALL OVER 0.00127[.000050] MIN NICKEL
- 3 CONTACT: GOLD PLATING 0.00076[.000030] MIN ON CONTACT AREA 0.00229[.000090]
 MIN TIN-LEAD PLATING ALL OVER 0.00127[.000050] MIN NICKEL
- 4 SHELL: BRIGHT TIN 0.0241[.000095] MIN FULL SHELL
- 5 SHELL: BLUE ZINC: 0.00508[.000200] - 0.00762[.000300] OVER ENTIRE SHELL
- 6 CONTACT: GOLD PLATING 0.00002[.000008] MIN ON CONTACT AREA 0.00229[.000090]
 MIN HOT DIPPED TIN-COPPER PLATING ALL OVER 0.00127[.000050] MIN NICKEL
- 7 CLINCH NUTS: NICKEL PLATING .00305-.00508[.000120-.000200]
- 8 SPECIFICATION
 ELECTRICAL CHARACTERISTICS: CURRENT RATING: 3 AMPERES
 DIELECTRIC WITHSTANDING VOLTAGE: AC 1000V r.m.s
 INSULATION RESISTANCE: 5000 MEGOHMS MINIMUM AT DC 500V
 CONTACT RESISTANCE: 10 MILLIOHMS MAXIMUM.
- 9 RECEPTACLE ASSEMBLY MATES WITH ANY 9 POSITION PLUG IN AMPLIMITE SERIES
- 10 SOLDER CUP WILL ACCOMODATE 20 AWG MAX WIRE.
- 11 ROHS 2002/95/EC/COMPLIANT
- 12 CONTACT: GOLD PLATING 0.00076[.000030] MIN ON CONTACT AREA 0.00229[.000090]
 MIN HOT DIPPED TIN-COPPER ALL OVER 0.00127[.000050] MIN NICKEL PLATING

REV	DESCRIPTION	DATE	DWN	APVD	PART NO.
11	OBSELETE				5-747905-4
11	STANDARD				5-747905-7
11	STANDARD				5-747905-5
11	STANDARD				5-747905-2
11	STANDARD				747905-8
	SUPERSEDED TO 5-747905-2				747905-7
	SUPERSEDED TO 5-747905-7				747905-5
	SUPERSEDED TO 5-747905-5				747905-4
	SUPERSEDED TO 5-747905-4				747905-2
	SUPERSEDED TO 5-747905-2				

PACKAGING TYPE	CLINCH NUTS	CONTACTS	SHELLS	PART NO.
----------------	-------------	----------	--------	----------

THIS DRAWING IS A CONTROLLED DOCUMENT. DIMENSIONING AND TOLERANCING PER ASME Y14.5M-2009		DWN M.BINNER 03MAR03	TE Connectivity RECEPTACLE ASSEMBLY, SOLDER CUP, SIZE 1, 9 POSITION, AMPLMITE		
DIMENSIONS: mm		CHK R.BENDORF 05MAR03			
TOLERANCES UNLESS OTHERWISE SPECIFIED:		APVD R.BENDORF 05MAR03	NAME		
0 PLC ± -		PRODUCT SPEC	SIZE		
1 PLC ± 0.25		APPLICATION SPEC	CAGE CODE		
2 PLC ± 0.13		WEIGHT	DRAWING NO		
3 PLC ± 0.05			RESTRICTED TO		
4 PLC ± -			A3 00779 C-747905		
ANGLES ± -			SCALE 2:1		
MATERIAL			SHEET 1 OF 1		
FINISH			REV Z		
SEE TABLE		CUSTOMER DRAWING			