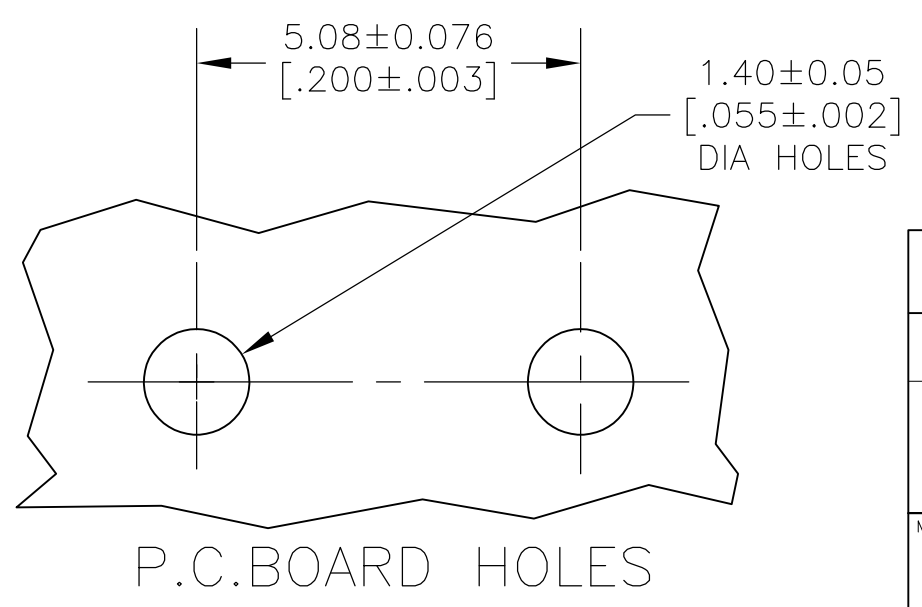
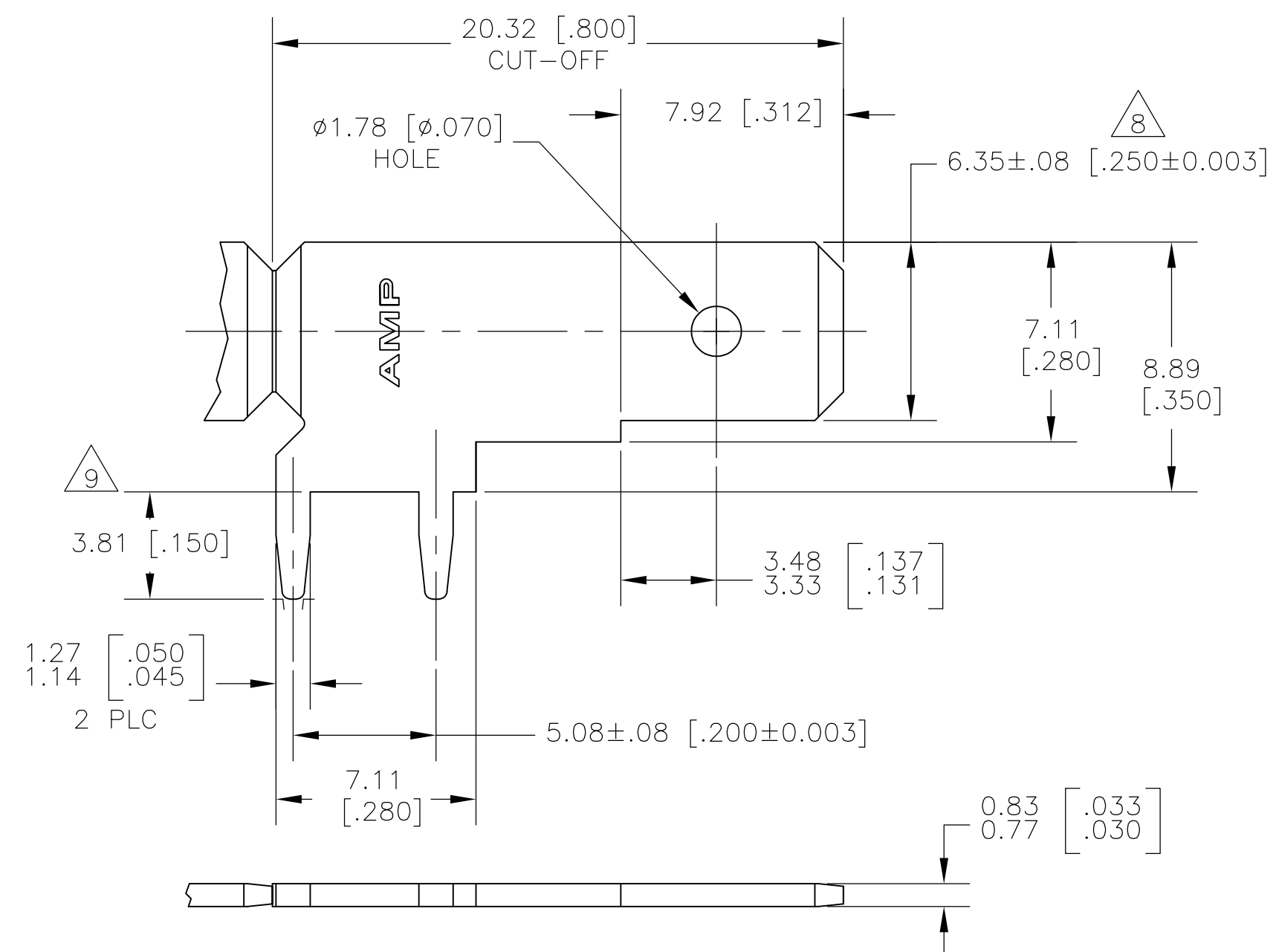


THIS DRAWING IS UNPUBLISHED. RELEASED FOR PUBLICATION  
 © COPYRIGHT - By - ALL RIGHTS RESERVED.

REVISIONS					
P	LTR	DESCRIPTION	DATE	DWN	APVD
	L1	REVISED PER ECR-17-003953	29MAR2017	ST	TD



- 1 CONTINUOUS STRIP ON REELS.
- 2 0.00381 [.000150] MIN TIN OVER 0.00127 [.000050] MIN NICKEL.
- 3 REVERSE REELING OF 63951-1
- 4 0.00254 [.000100] MIN SILVER OVER 0.00127 [.000050] MIN NICKEL
- 5 REELED WITH INTERLEAVING PAPER
- 6 PRELIMINARY - NOT FOR PRODUCTION
- 7 0.00127 [.000050] MIN NICKEL ALL OVER FOR 63951-5 ONLY
- 8 0.00076 [.000030] MIN SELECTIVE GOLD, BOTH SIDES, 63951-5 ONLY.
- 9 0.002032 [.000080] MIN SELECTIVE LEAD FREE TIN, BOTH SIDES, 63951-5 ONLY.
- 10 REVERSE REELED WITH TAB OFF FIRST AND PCB POSTS FACING AWAY.
- 11 REELED WITH NO SPLICE

11	2	1-63951-1			
5	10	2	6	63951-9	
10	2	63951-8			
	7	8	9	6	63951-5
5	2	63951-4			
	4	6	63951-3		
3	2	6	63951-2		
	2	63951-1			
FINISH				PART NO.	

THIS DRAWING IS A CONTROLLED DOCUMENT.		DWN	JR RUTH	11DEC00	<b>STE</b> TE Connectivity		
		CHK	MS FEHER	11DEC00			
DIMENSIONS: INCHES		TOLERANCES UNLESS OTHERWISE SPECIFIED:			NAME		
		0 PLC	± -		TAB, FASTON, 6.35 [.250] SERIES		
		1 PLC	± -		SIZE		
		2 PLC	± 0.25 [.010]		CAGE CODE		
		3 PLC	± -		DRAWING NO		
		4 PLC	± -		RESTRICTED TO		
		ANGLES	± -		A3 00779 C-63951		
MATERIAL		FINISH			SCALE		
BRASS		SEE TABLE			5:1		
CUSTOMER DRAWING				SHEET		1 OF 1	
				REV		L1	

# Mouser Electronics

Authorized Distributor

Click to View Pricing, Inventory, Delivery & Lifecycle Information:

[TE Connectivity:](#)

[63951-1](#)