

## AS85049/128 Shield Band

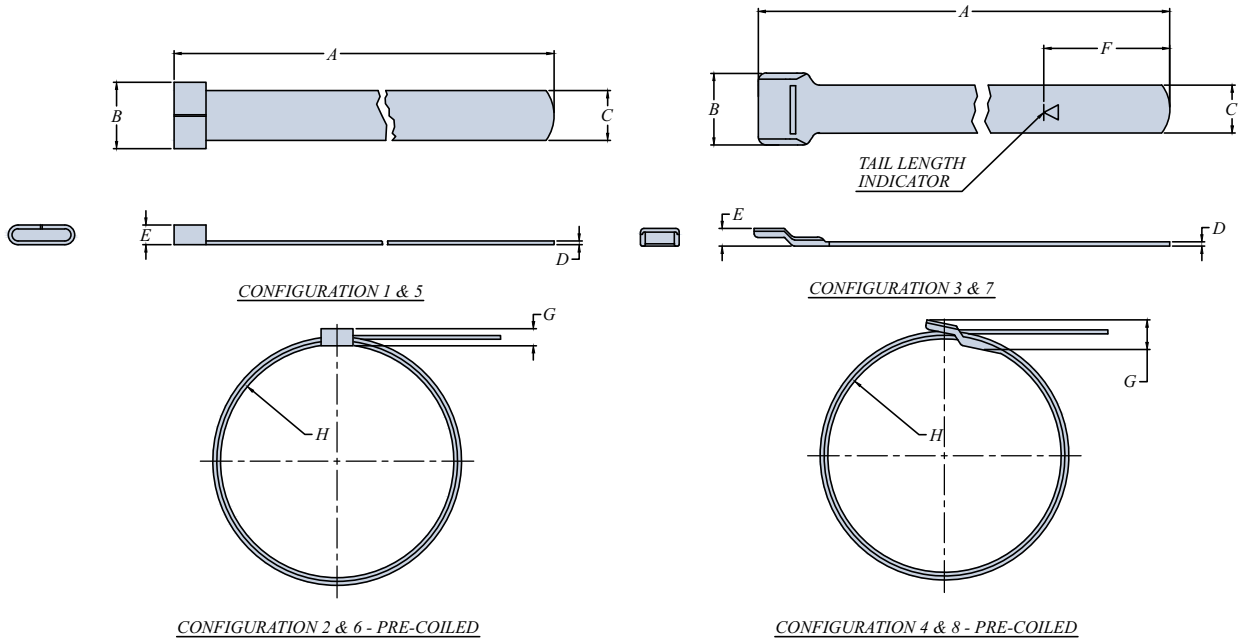


FIGURE-1

FIGURE-2

### REQUIREMENTS

1. All requirements shall consist of this document and the latest issue of AS85049.
2. Interface dimensions: shall conform to AS85049,

| PART NUMBERING    |                         |
|-------------------|-------------------------|
| M85049/128-3      |                         |
| M85049/128        | -3                      |
| BASIC PART NUMBER | Configuration (Table 1) |

TABLE 1 - FIGURE 1 AND 2 CONFIGURATIONS AND DIMENSIONS

| CONFIG | FIGURE | A           |               | B<br>±0.030 (0.76) |      | C<br>±0.010 (0.25) |      | D<br>±0.003 (0.08) |      | E<br>±0.015 (0.38) |      | F REF |       | G MAX |      | H REF |       |
|--------|--------|-------------|---------------|--------------------|------|--------------------|------|--------------------|------|--------------------|------|-------|-------|-------|------|-------|-------|
|        |        | INCH        | MM            | INCH               | MM   | INCH               | MM   | INCH               | MM   | INCH               | MM   | INCH  | MM    | INCH  | MM   | INCH  | MM    |
| 1      | 1      | 13.94/14.31 | 354.08/363.47 | 0.328              | 8.33 | 0.245              | 6.22 | 0.019              | 0.48 | 0.100              | 2.54 | --    | --    | --    | --   | --    | --    |
| 2      | 1      | --          | --            | --                 | --   | --                 | --   | --                 | --   | --                 | --   | --    | --    | 0.14  | 3.56 | 1.75  | 44.45 |
| 3      | 2      | 14.19/14.31 | 360.42/363.47 | 0.35               | 8.89 | 0.245              | 6.22 | 0.019              | 0.48 | 0.074              | 1.88 | 2.031 | 51.59 | --    | --   | --    | --    |
| 4      | 2      | --          | --            | --                 | --   | --                 | --   | --                 | --   | --                 | --   | --    | --    | 0.15  | 3.81 | 1.75  | 44.45 |
| 5      | 1      | 9.44/9.56   | 239.77/242.82 | 0.198              | 5.03 | 0.118              | 3.00 | 0.015              | 0.38 | 0.080              | 2.03 | --    | --    | --    | --   | --    | --    |
| 6      | 1      | --          | --            | --                 | --   | --                 | --   | --                 | --   | --                 | --   | --    | --    | 0.12  | 3.05 | 1.12  | 28.45 |
| 7      | 2      | 8.06/8.18   | 204.72/207.77 | 0.195              | 4.95 | 0.115              | 2.92 | 0.015              | 0.38 | 0.053              | 1.35 | 2.031 | 51.59 | --    | --   | --    | --    |
| 8      | 2      | --          | --            | --                 | --   | --                 | --   | --                 | --   | --                 | --   | --    | --    | 0.073 | 1.85 | 1.12  | 28.45 |