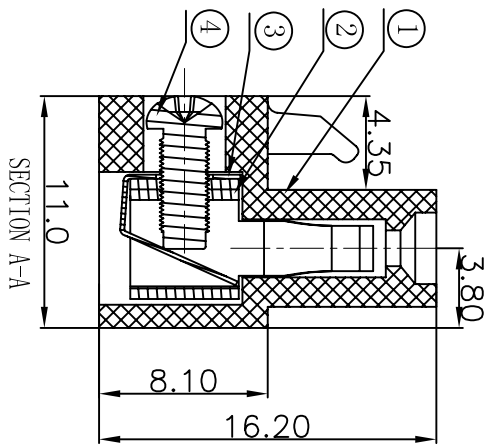
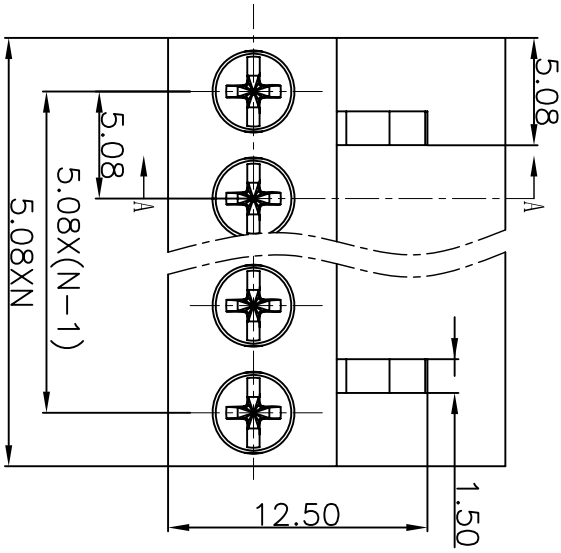
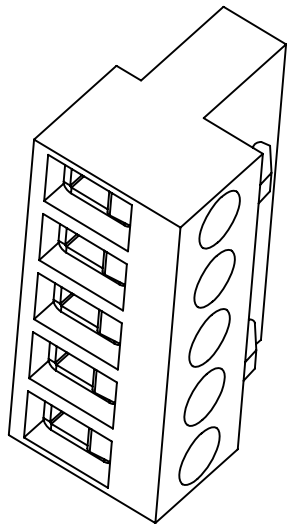
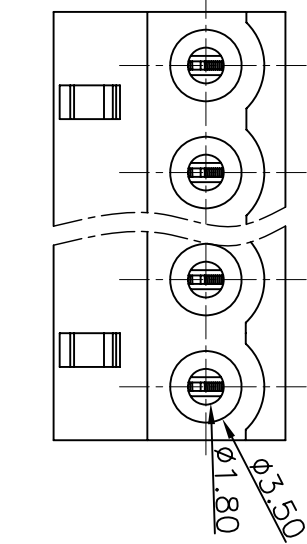


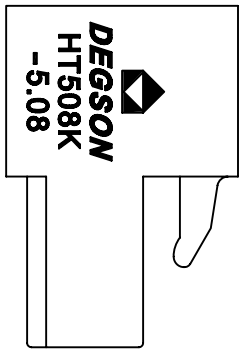
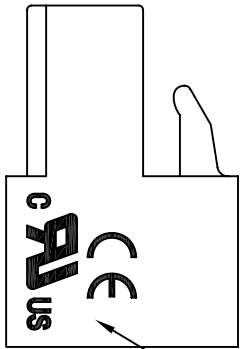
REVISION RECORD

REV	ECO	DESCRIPTION	DRFT	DATE
△		Drawing amend	Home	03/27/06
△		增加环保标示	Ye J	10/30/07
△		增加UL、CE标志	CSX	04/01/08
△		修改夹子料号	CSX	05/09/08



Pitch range in mm	Nominal dimension range in mm	—
over 6	over 30	over 100
to 10	to 60	to 150
to 24	to 100	to 150
to 10	to 60	to 150
to 10	to 30	to 100
to 15	to 25	to 0.2±0.3±0.5±0.7±1.0±0.05mm

- Notes:
- 1. Pitch:5.08mm , Poles:2-24P
- 2. Rated voltage/current:UL 150V/12A IEC 250V/24A
- 3. Operation temperatures:-40℃~+105℃
- 4. Withstanding Voltage:AC2000V/1Min
- 5. Insulation Resistance:5000MΩ/DC1000V
- 6. Wire Range:28~12AWG, 2.5mm²
- 7. Max. Torque Value:M2.5 4.08kgf·cm
- 8. Undimensioned Tolerances:



ITEM	HT508K Housing	NO. OF PART	1025A0VXXA(H)	Q'TY	1	MATERIAL	PA66	NOTES	UL94V-0
1	HT508K Housing	1025A0VXXA(H)	1	PA66					UL94V-0
2	HT508 CLAMP	1025B00030(H)	XX						
3	HT508 CONTACT	X000000400(H)	XX						
4	HT508 "L" SCREWS	S000000670(H)	XX						

ITEM	HT508K Housing	NO. OF PART	1025A0VXXA(H)	Q'TY	1	MATERIAL	PA66	NOTES	UL94V-0
1	HT508K Housing	1025A0VXXA(H)	1	PA66					UL94V-0

ITEM	HT508K Housing	NO. OF PART	1025A0VXXA(H)	Q'TY	1	MATERIAL	PA66	NOTES	UL94V-0
1	HT508K Housing	1025A0VXXA(H)	1	PA66					UL94V-0

ITEM	HT508K Housing	NO. OF PART	1025A0VXXA(H)	Q'TY	1	MATERIAL	PA66	NOTES	UL94V-0
1	HT508K Housing	1025A0VXXA(H)	1	PA66					UL94V-0

ITEM	HT508K Housing	NO. OF PART	1025A0VXXA(H)	Q'TY	1	MATERIAL	PA66	NOTES	UL94V-0
1	HT508K Housing	1025A0VXXA(H)	1	PA66					UL94V-0