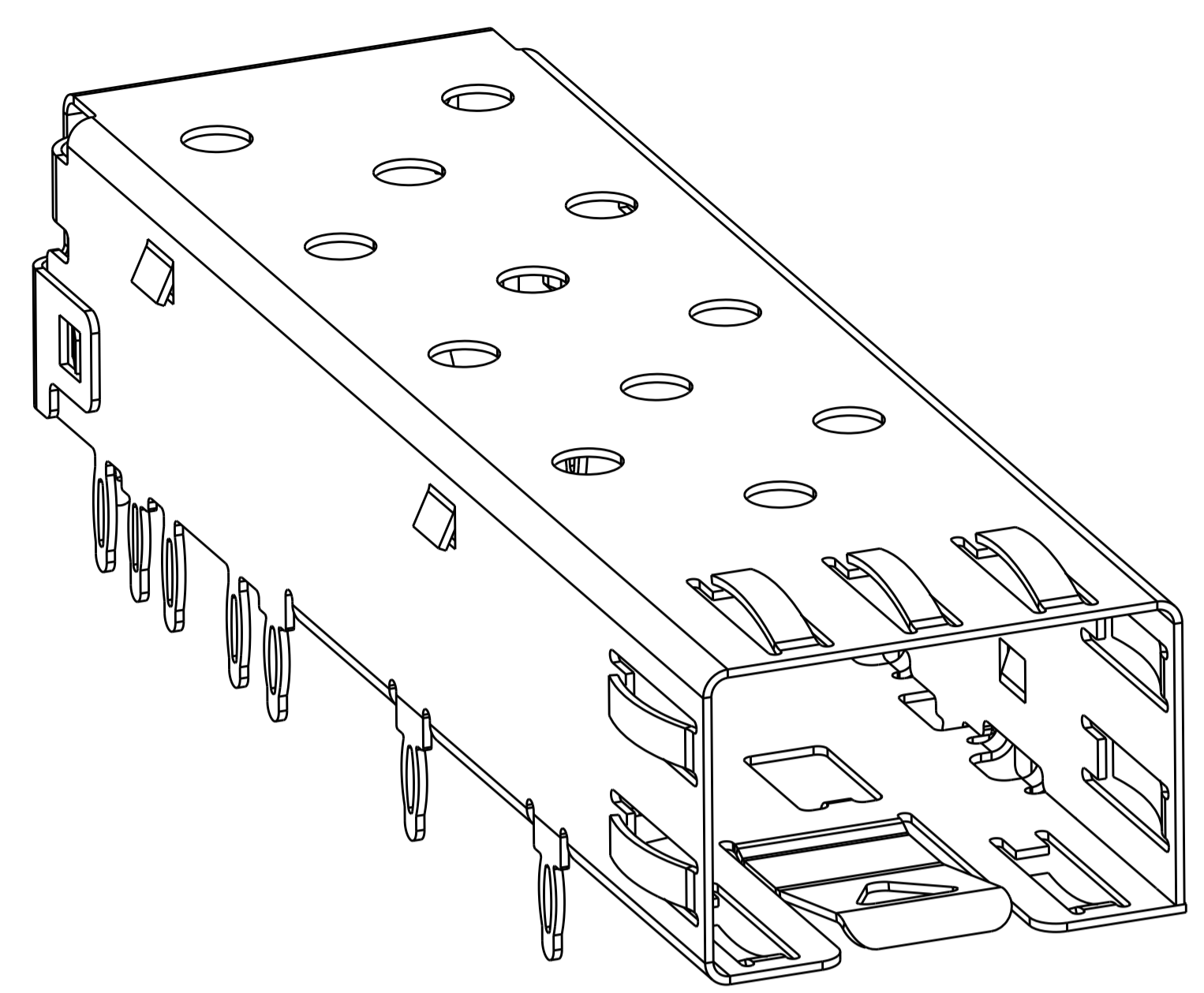
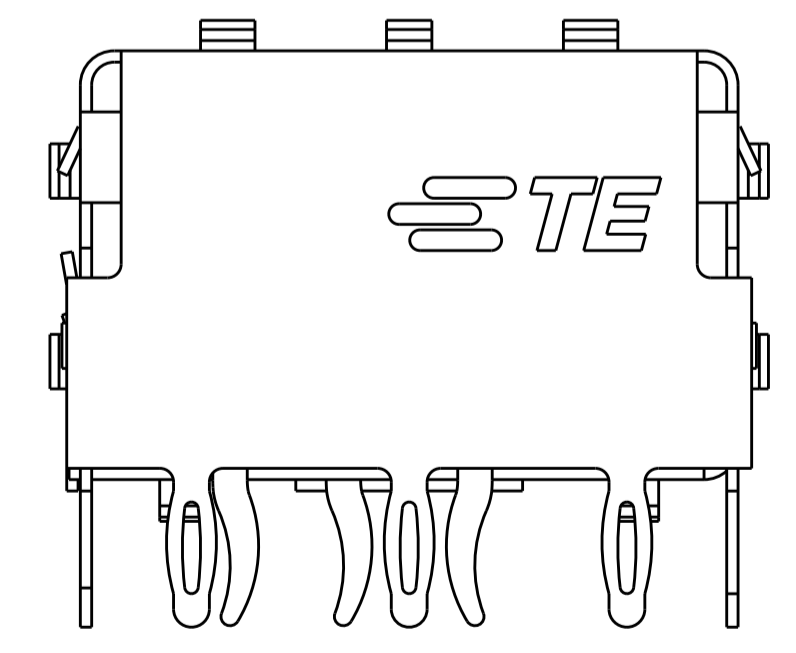
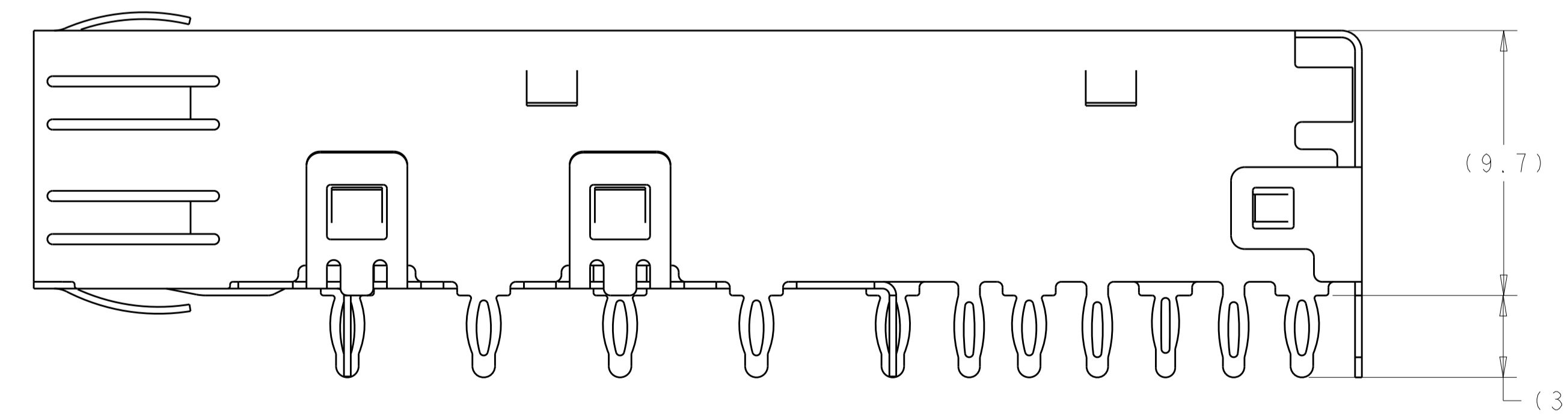
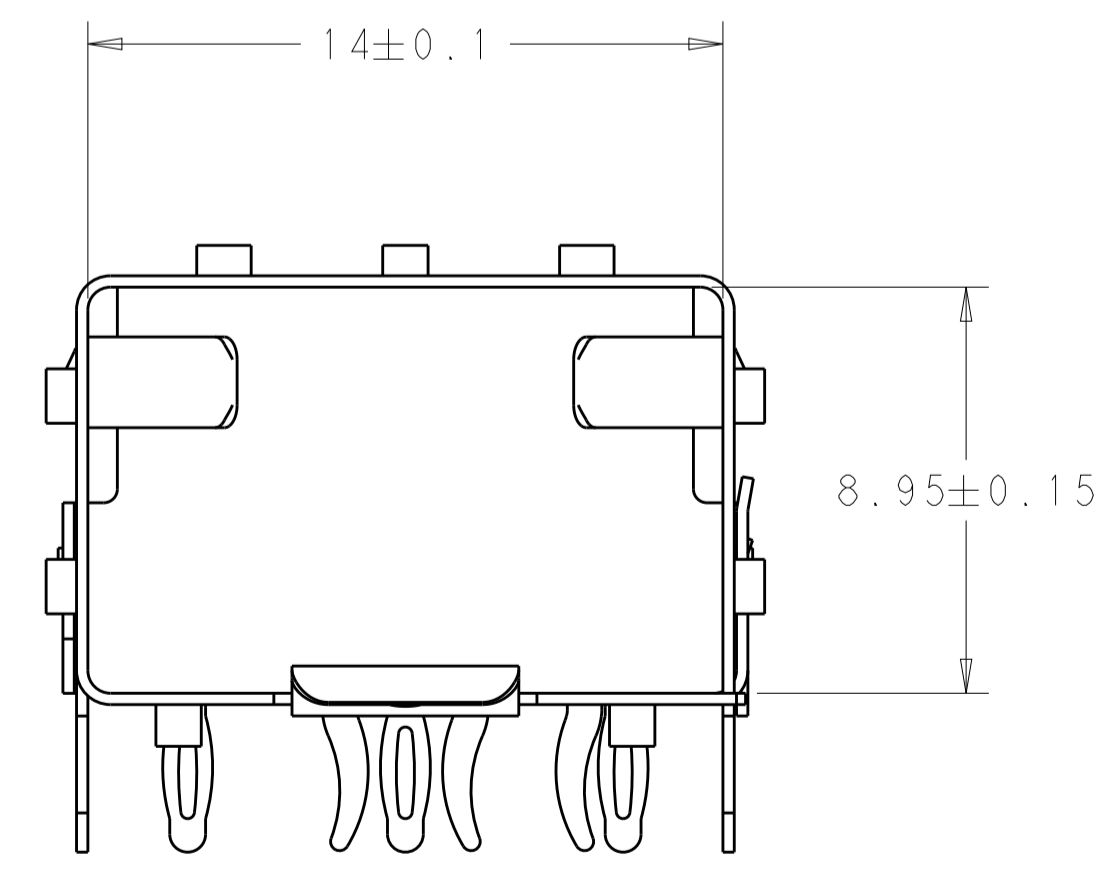
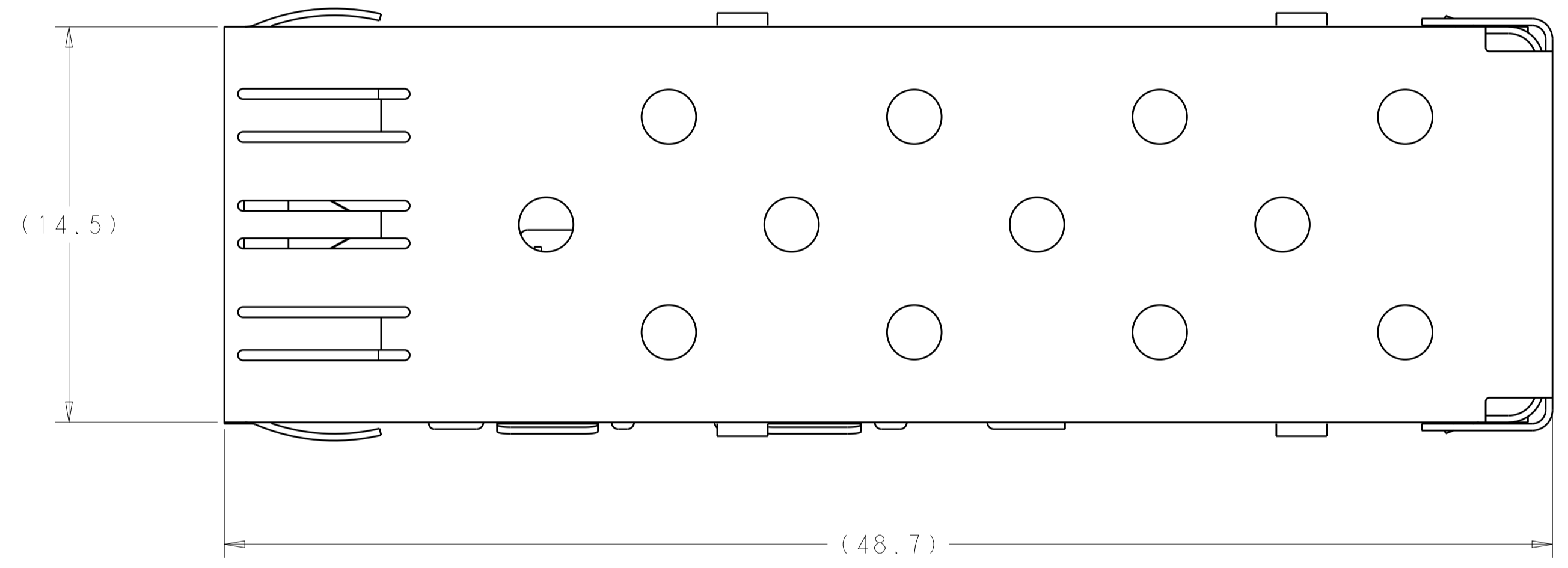


| LOC | DIST | REVISIONS |     |                           |             |     |      |
|-----|------|-----------|-----|---------------------------|-------------|-----|------|
|     |      | P         | LTN | DESCRIPTION               | DATE        | DWN | APVD |
| GP  | 00   | A         |     | INITIAL RELEASE           | 21MAY2014   | CW  | SH   |
|     |      | A1        |     | REVISED PER ECO-15-001812 | 4-FEB-2015  | JW  | SH   |
|     |      | A2        |     | REVISED PER ECO-15-011580 | 10-AUG-2015 | JW  | SH   |



ISOMETRIC VIEW  
 2227317-1  
 SCALE 6:1

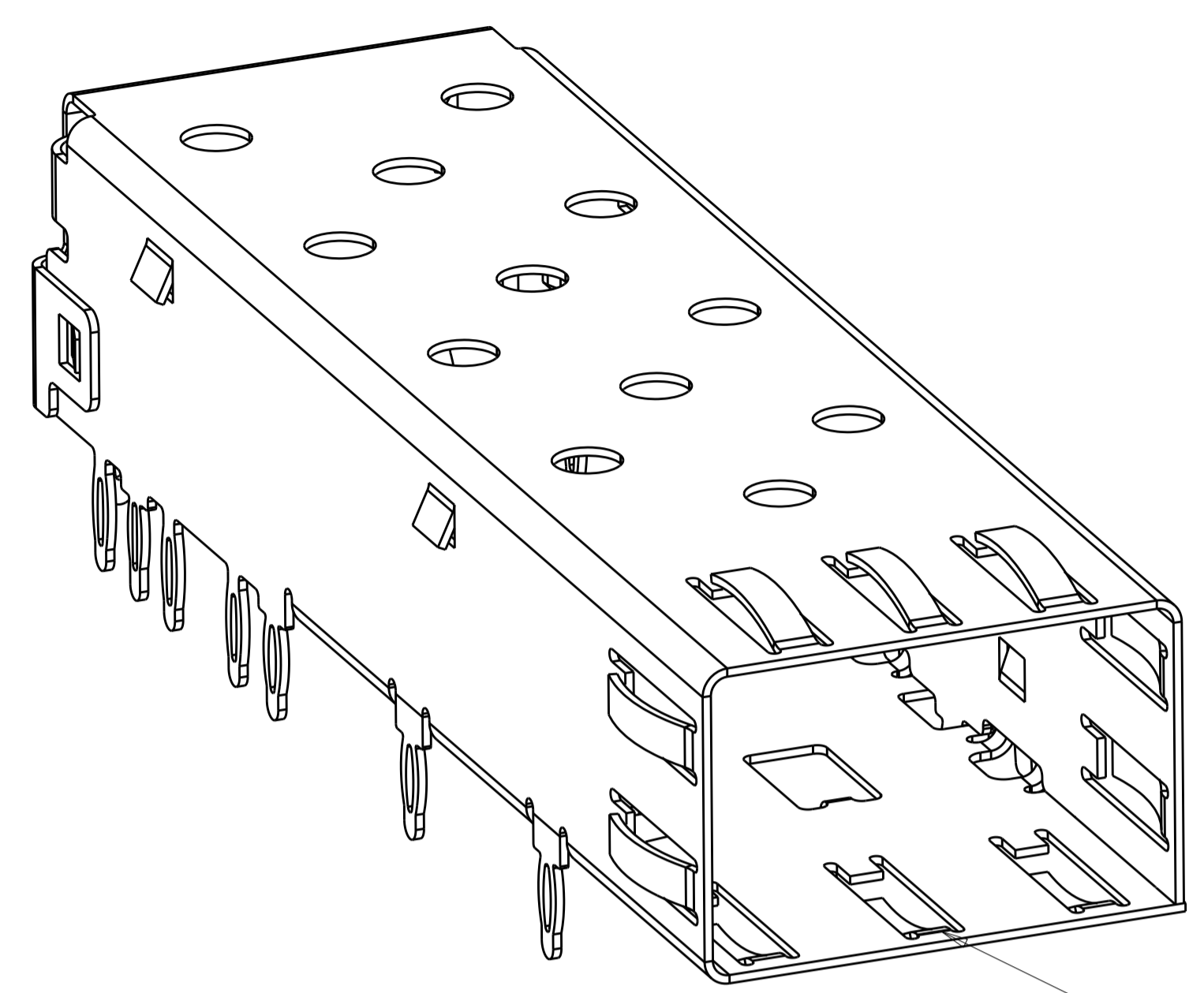
- 1. MATERIAL: 0.25mm THICK STAINLESS STEEL.
- 2. FINISH: NICKEL, NON PLATED EDGES PERMISSIBLE.
- 3. MATES WITH SFP MSA COMPLIANT TRANSCEIVERS.
- 4. PADS AND VIAS CHASSIS GROUND.
- 5. DATUM AND BASIC DIMENSION ESTABLISHED BY CUSTOMER.
- 6. MINIMUM PC BOARD THICKNESS:  
 SINGLE SIDED = 1.50 mm
- 7. REFERENCE APPLICATION SPEC. 114-13120, HOLE A, FOR  
 RECOMMENDED DRILL HOLE DIAMETER AND PLATING THICKNESS(EXCEPT IMMERSION SILVER PLATING).
- 8. REFERENCE APPLICATION SPEC. 114-13120, HOLE C, FOR  
 RECOMMENDED DRILL HOLE DIAMETER AND PLATING THICKNESS(EXCEPT IMMERSION SILVER PLATING).
- 9. THE RECOMMENDED DIMENSIONS FOR HOLES ON PAGE 2/2 ARE NOT COMPATIBLE WITH IMMERSION SILVER PLATING HOLES  
 BECAUSE OF OVERLARGE INSERTION FORCE.



2227317-1  
 PART  
 NUMBER

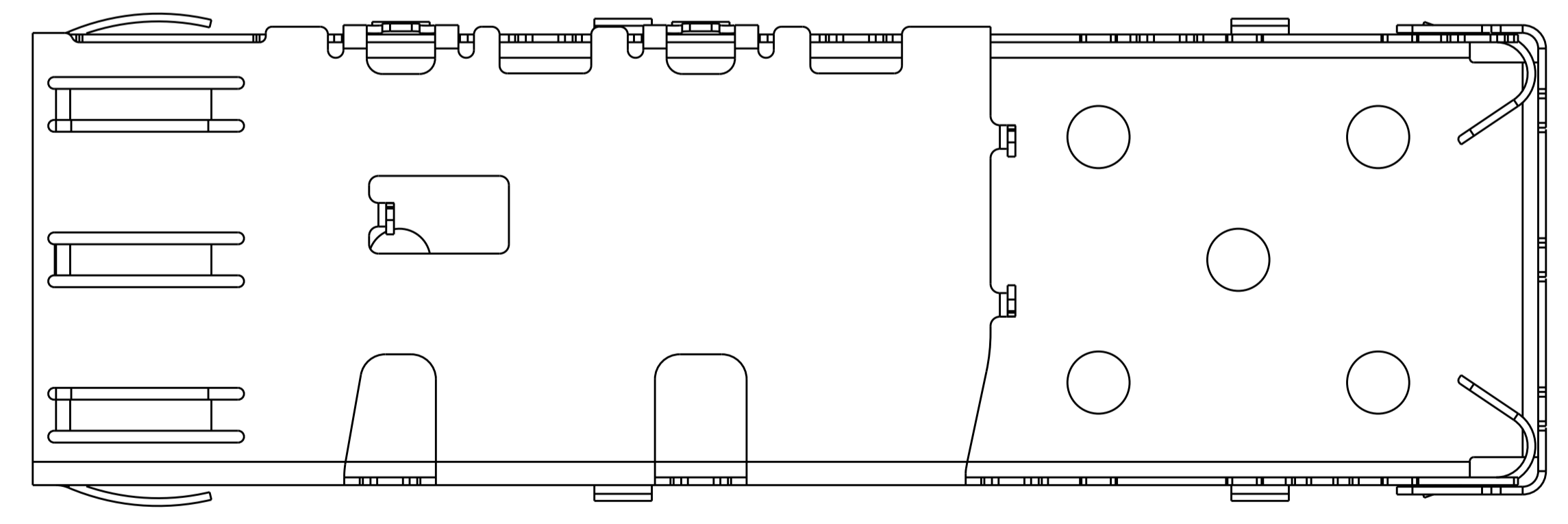
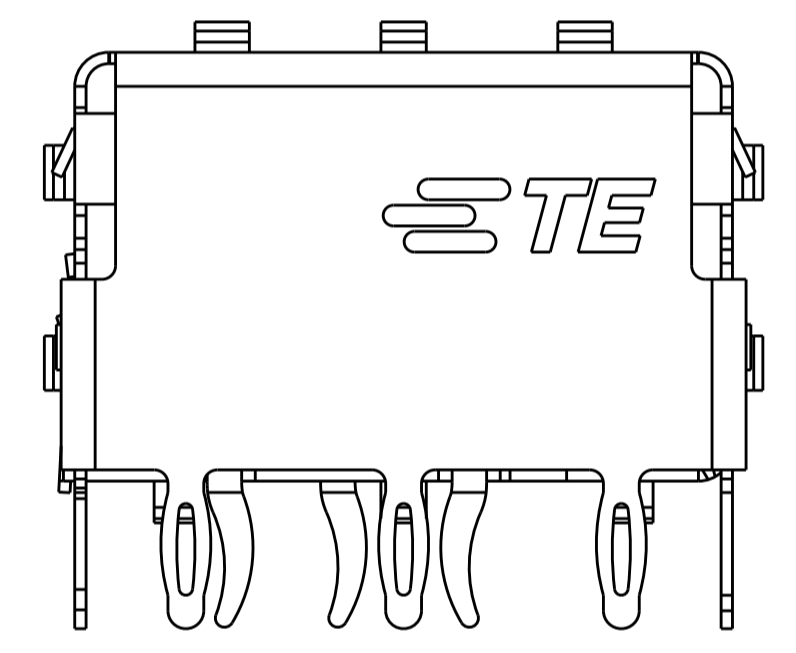
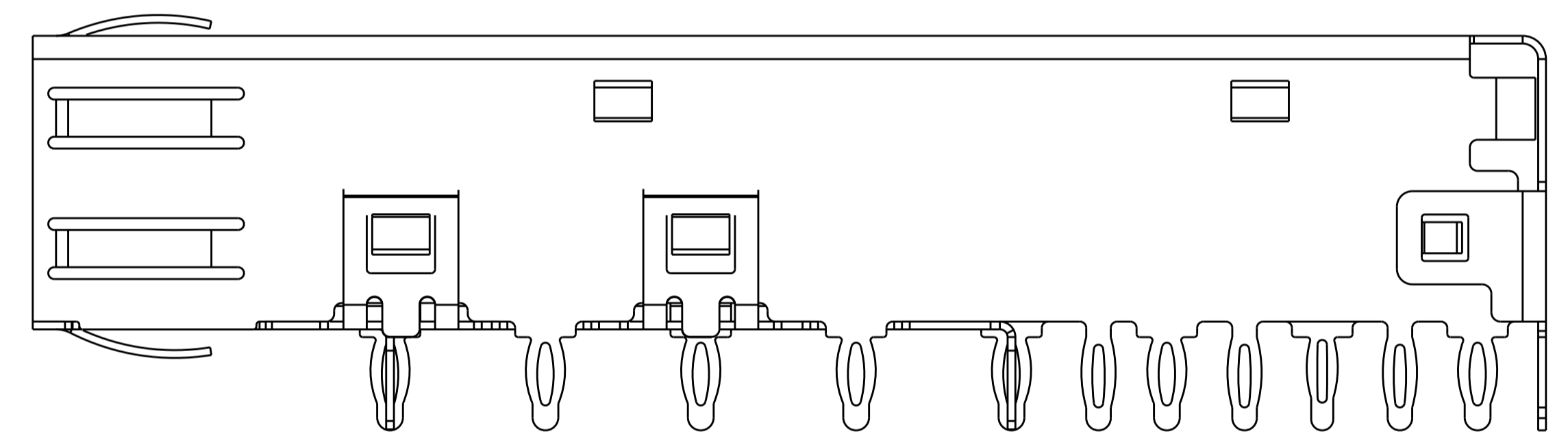
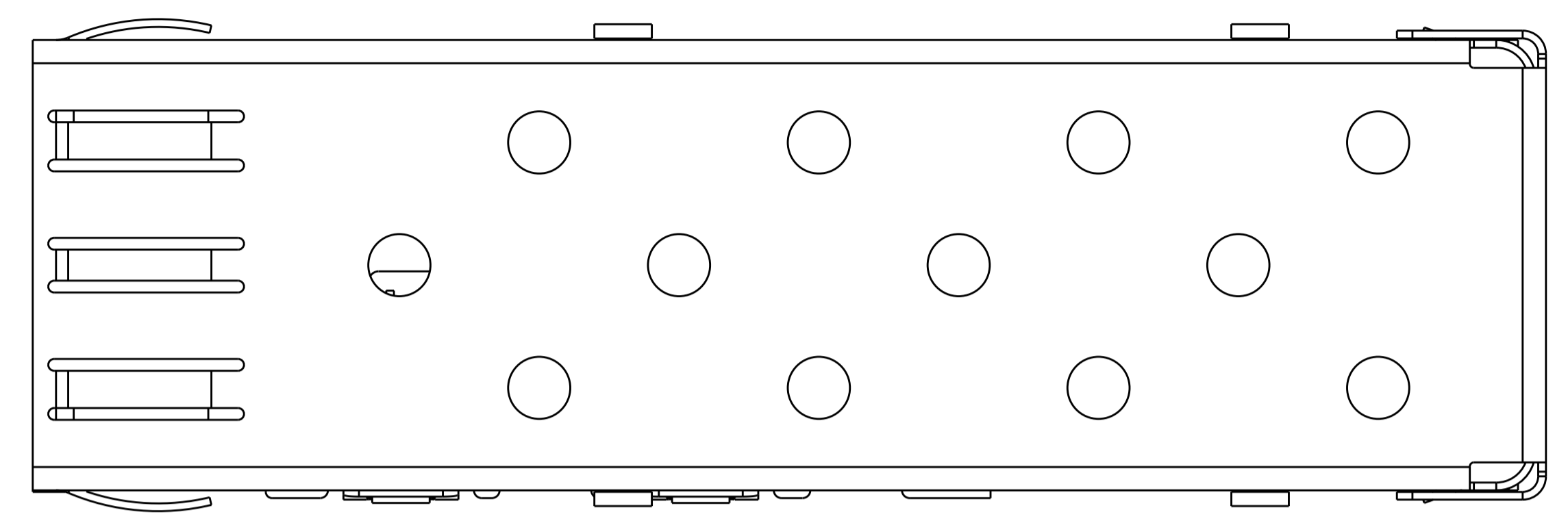
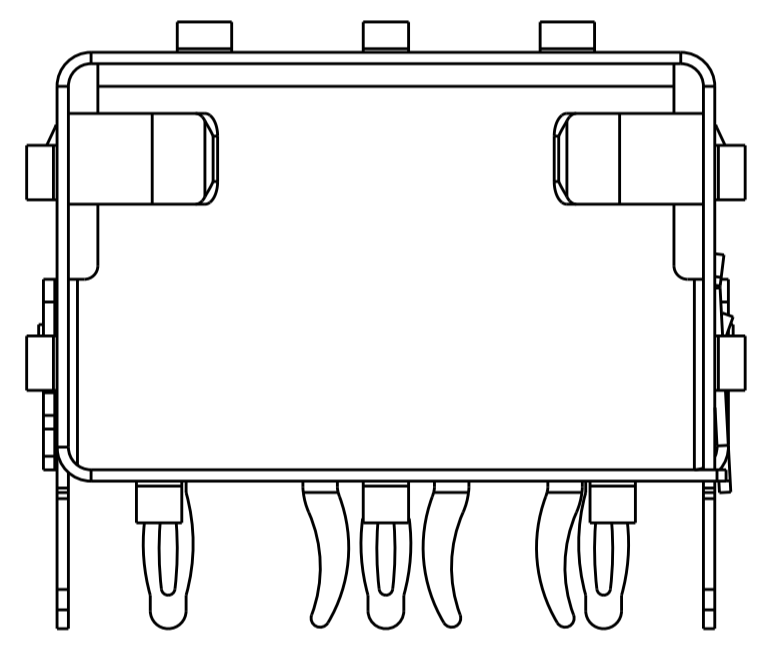
|  |      |                                  |   |
|--|------|----------------------------------|---|
| THIS DRAWING IS A CONTROLLED DOCUMENT. DIMENSIONING AND TOLERANCING PER ASME Y14.5M-2009 |      | DWN<br>C. VALENTINE<br>07NOV2012 | TE Connectivity<br>NAME<br>SFP, 1X1 SINGLE PIECE CAGE,<br>W/ LIGHT PIPES, PRESS FIT |
| DIMENSIONS: mm   |      | CHK<br>M. SCHMITT<br>07NOV2012   |   |
| TOLERANCES UNLESS OTHERWISE SPECIFIED:   |      | APVD<br>M. SCHMITT<br>07NOV2012  | RESTRICTED TO   |
| 0 PLC  | ±    | PRODUCT SPEC                     |   |
| 1 PLC  | ±0.2 | 108-1950                         |   |
| 2 PLC  | ±0.1 | APPLICATION SPEC                 |   |
| 3 PLC  | ±0.1 | 114-13120                        |   |
| 4 PLC  | ±    | WEIGHT                           |   |
| ANGLES   | ±    | Customer Drawing                 |   |
| MATERIAL   |      | SCALE 6:1                        | SHEET 1 OF 4  |
| FINISH   |      | REV A2                           |   |

| LOC |             | DIST |     | REVISIONS |  |  |  |
|-----|-------------|------|-----|-----------|--|--|--|
| P   | LTN         | DATE | DWN | APVD      |  |  |  |
| -   | SEE SHEET 1 | -    | -   | -         |  |  |  |



NO LATCH

ISOMETRIC VIEW  
SCALE 6:1

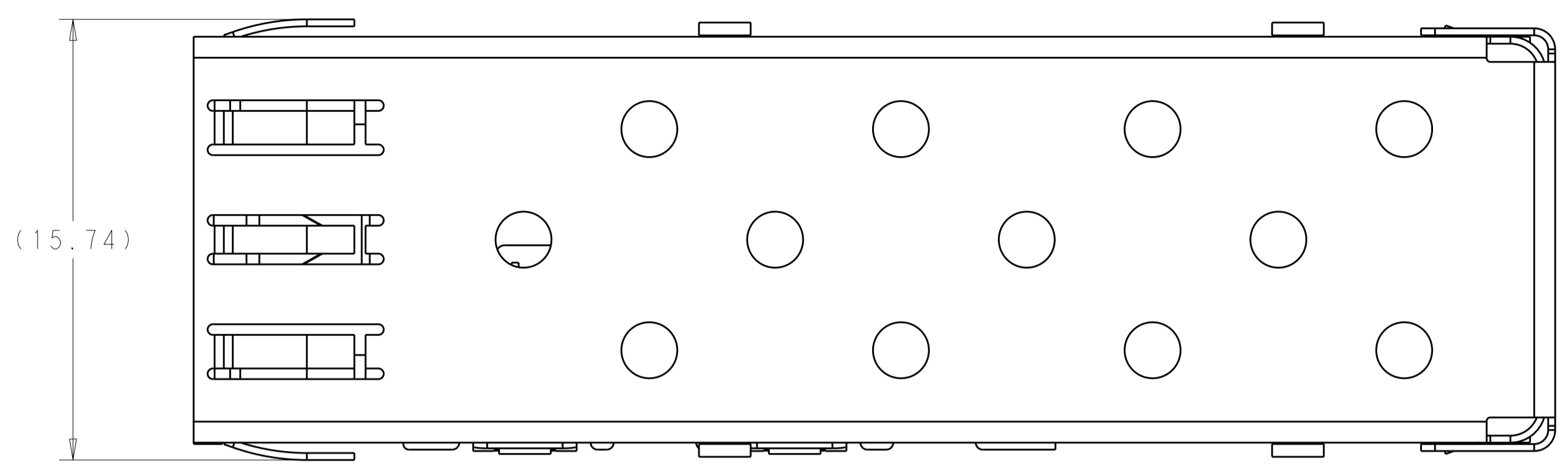
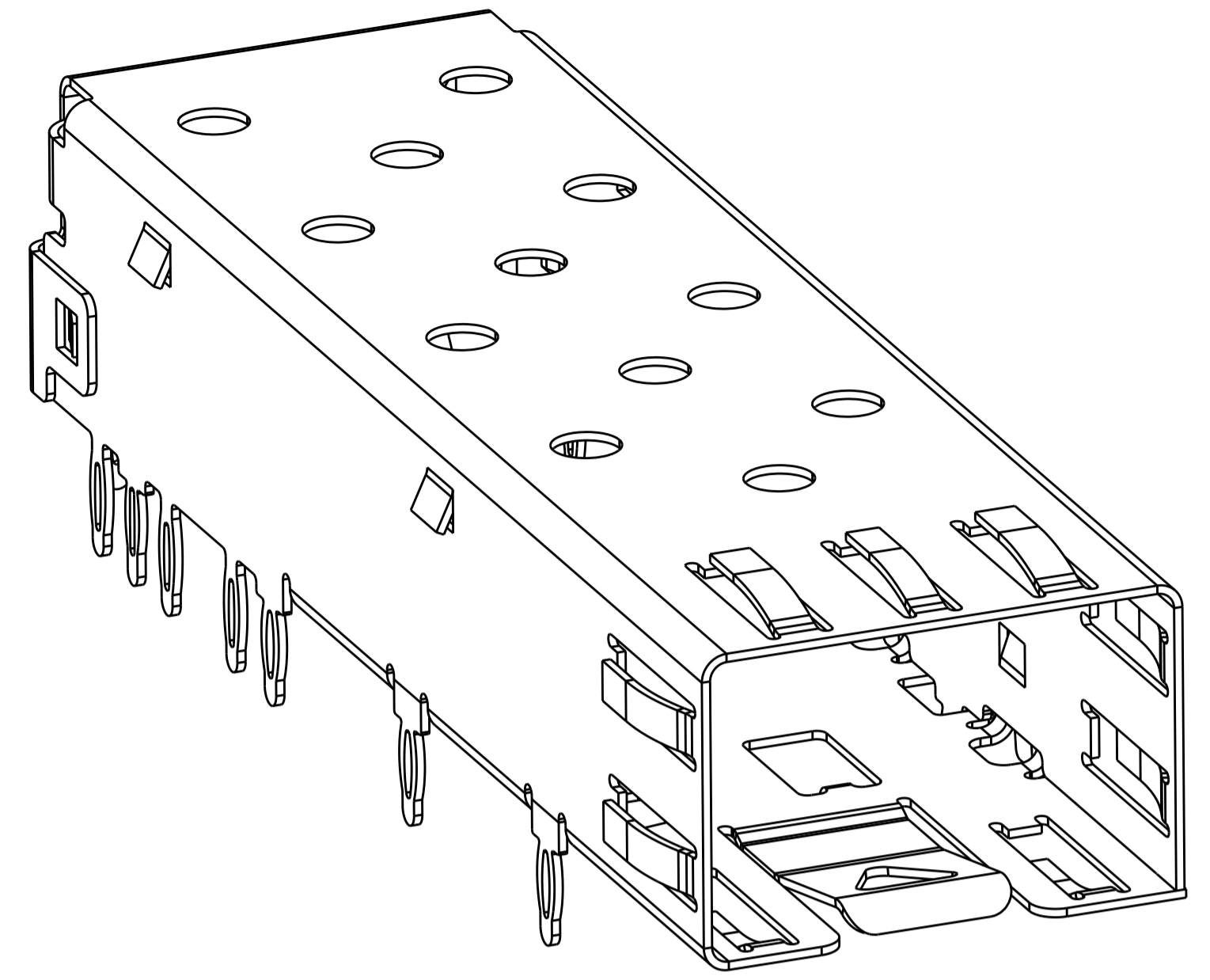


DIMENSIONS SAME AS 2227317-1

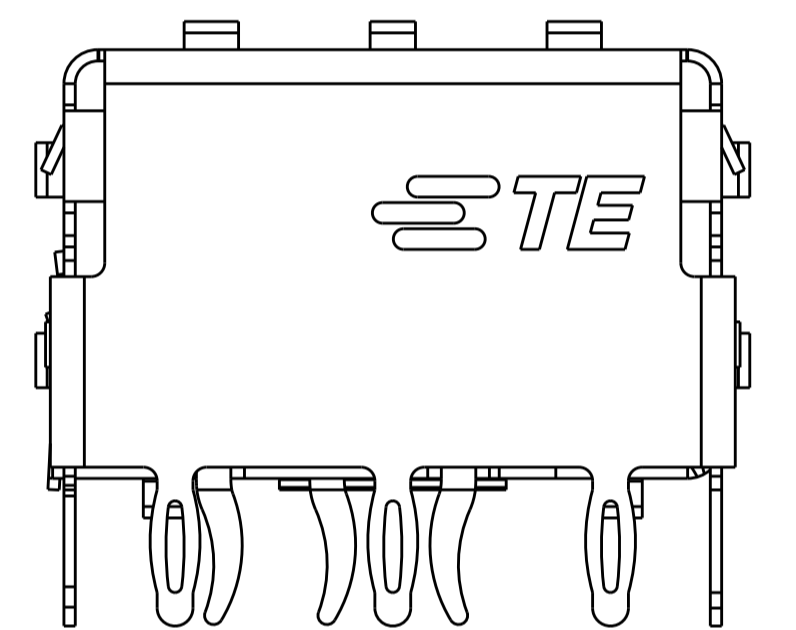
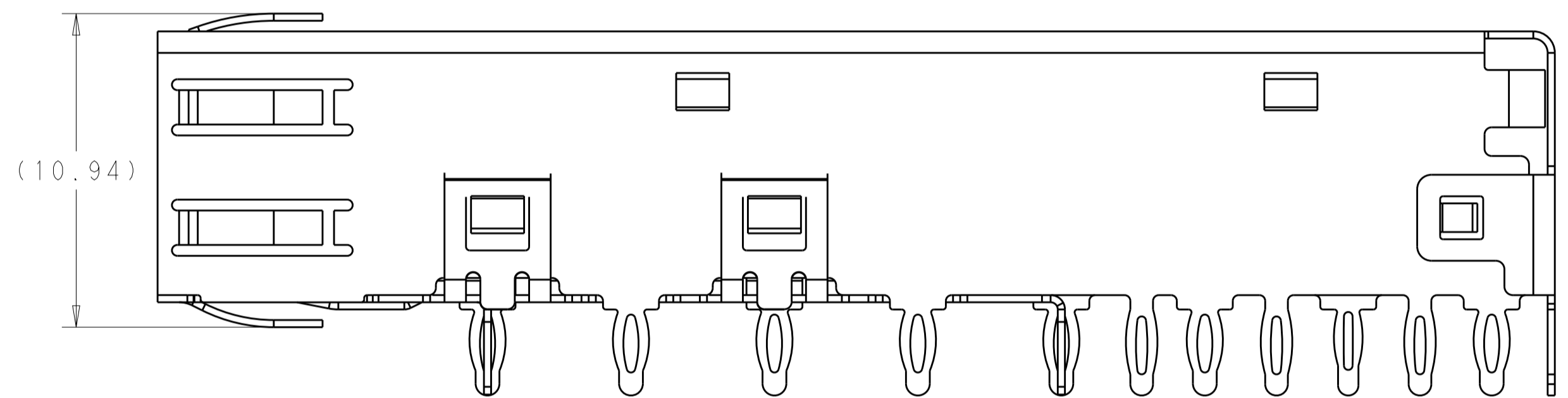
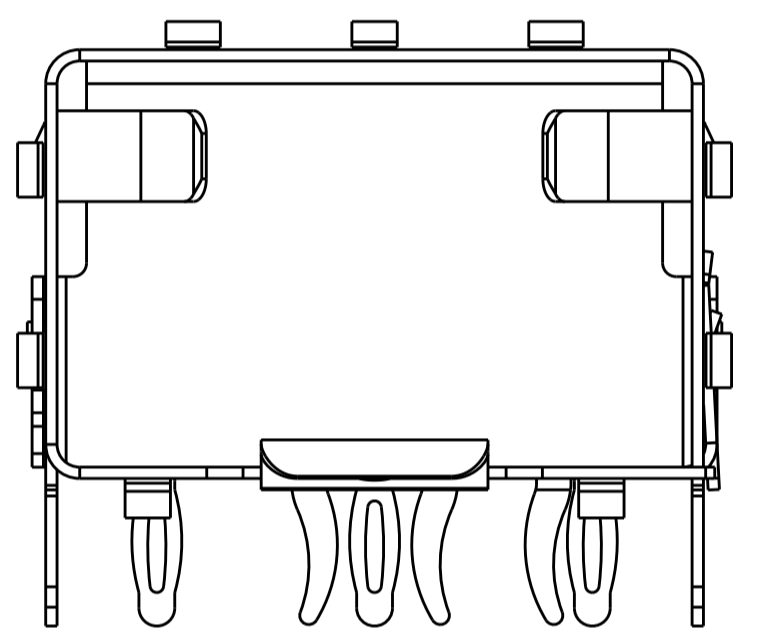
2227317-3  
PART NUMBER

|  |   |  |   |
|--|---|--|---|
| THIS DRAWING IS A CONTROLLED DOCUMENT. DIMENSIONING AND TOLERANCING PER ASME Y14.5M-2009.            |   | DWN: C. VALENTINE<br>CHK: M. SCHMITT<br>APVD: M. SCHMITT                               | DATE: 07NOV2012<br>NAME: SFP, 1X1 SINGLE PIECE CAGE, W/ LIGHT PIPES, PRESS FIT                              |
| DIMENSIONS: mm<br>0 PLC ±<br>1 PLC ±0.2<br>2 PLC ±0.1<br>3 PLC ±0.1<br>4 PLC ±<br>ANGLES ±<br>FINISH | TOLERANCES UNLESS OTHERWISE SPECIFIED:<br>±<br>±0.2<br>±0.1<br>±0.1<br>±<br>± | PRODUCT SPEC: 108-1950<br>APPLICATION SPEC: 114-13120<br>WEIGHT: -<br>Customer Drawing | SIZE: A1<br>CAGE CODE: 00779<br>DRAWING NO: C=2227317<br>RESTRICTED TO: -<br>SCALE: 6:1 SHEET 2 OF 4 REV A2 |

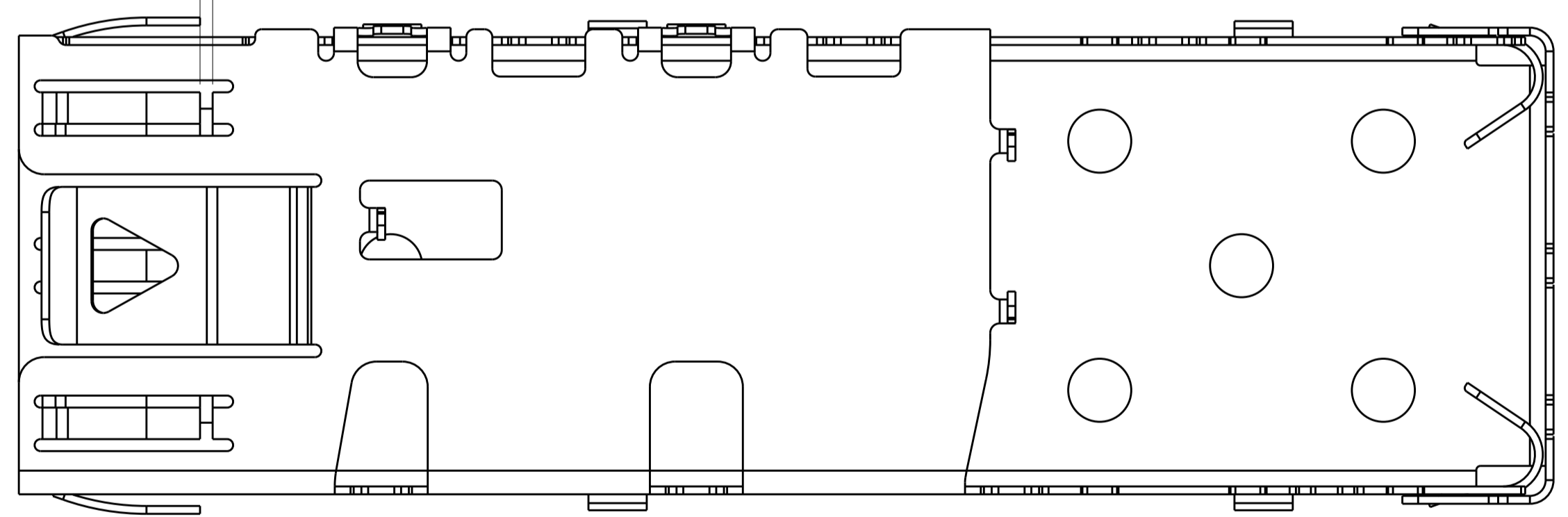
| LOC | DIST | REVISIONS |     |             |      |     |      |
|-----|------|-----------|-----|-------------|------|-----|------|
| GP  | 00   | P         | LTN | DESCRIPTION | DATE | DWN | APVD |
|     |      | -         |     | SEE SHEET 1 |      |     |      |



ISOMETRIC VIEW  
SCALE 6:1



0.1MIN  
(ALL SPRING FINGERS)

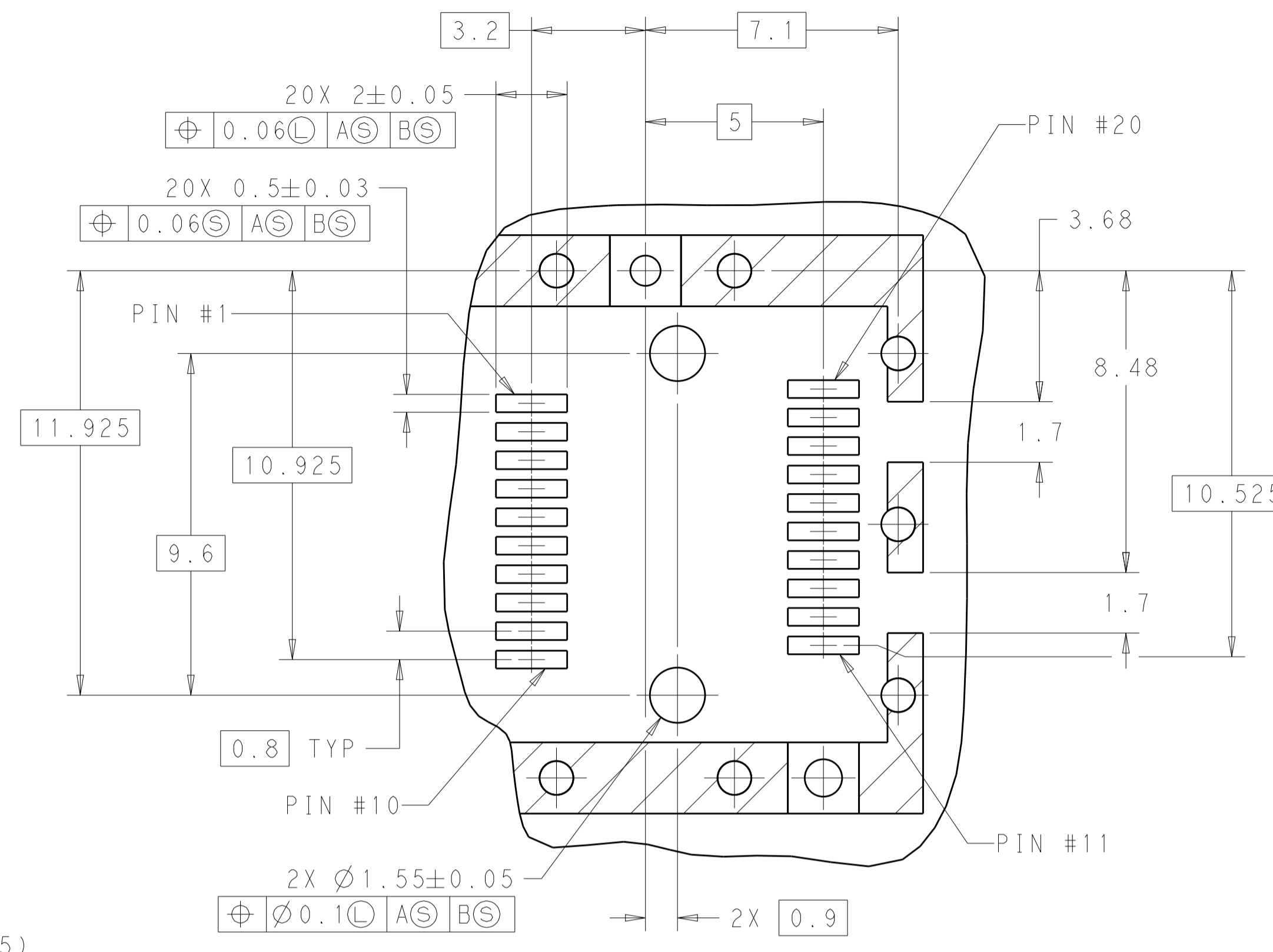
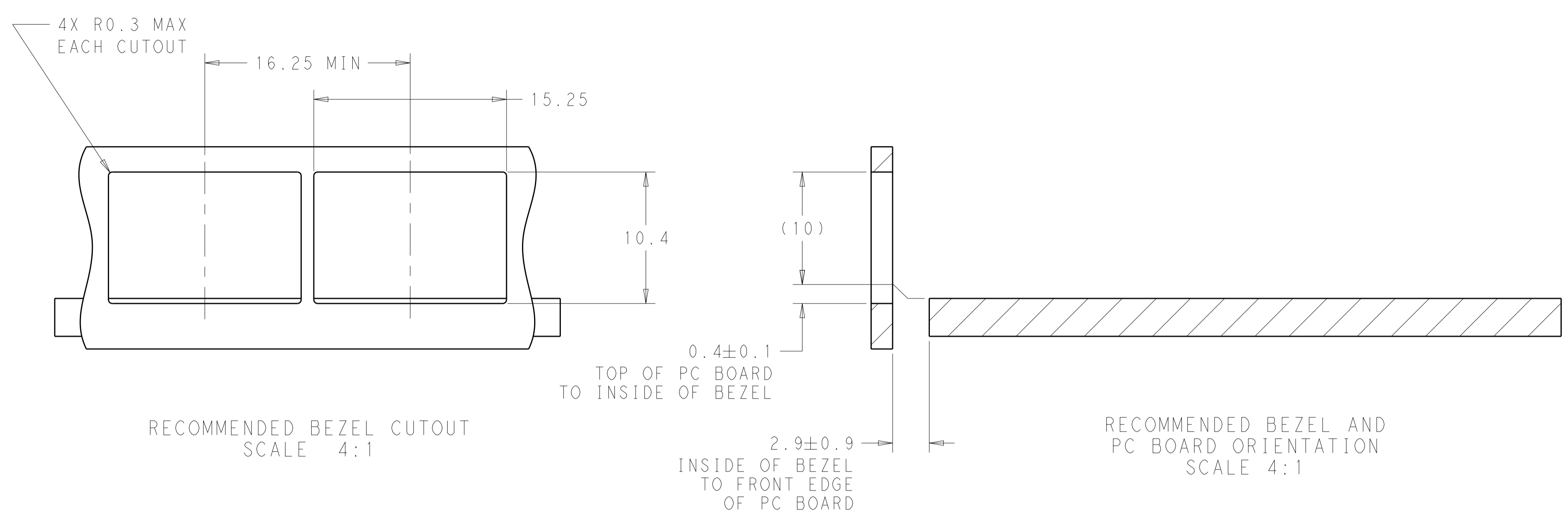


DIMENSIONS SAME AS 2227317-1

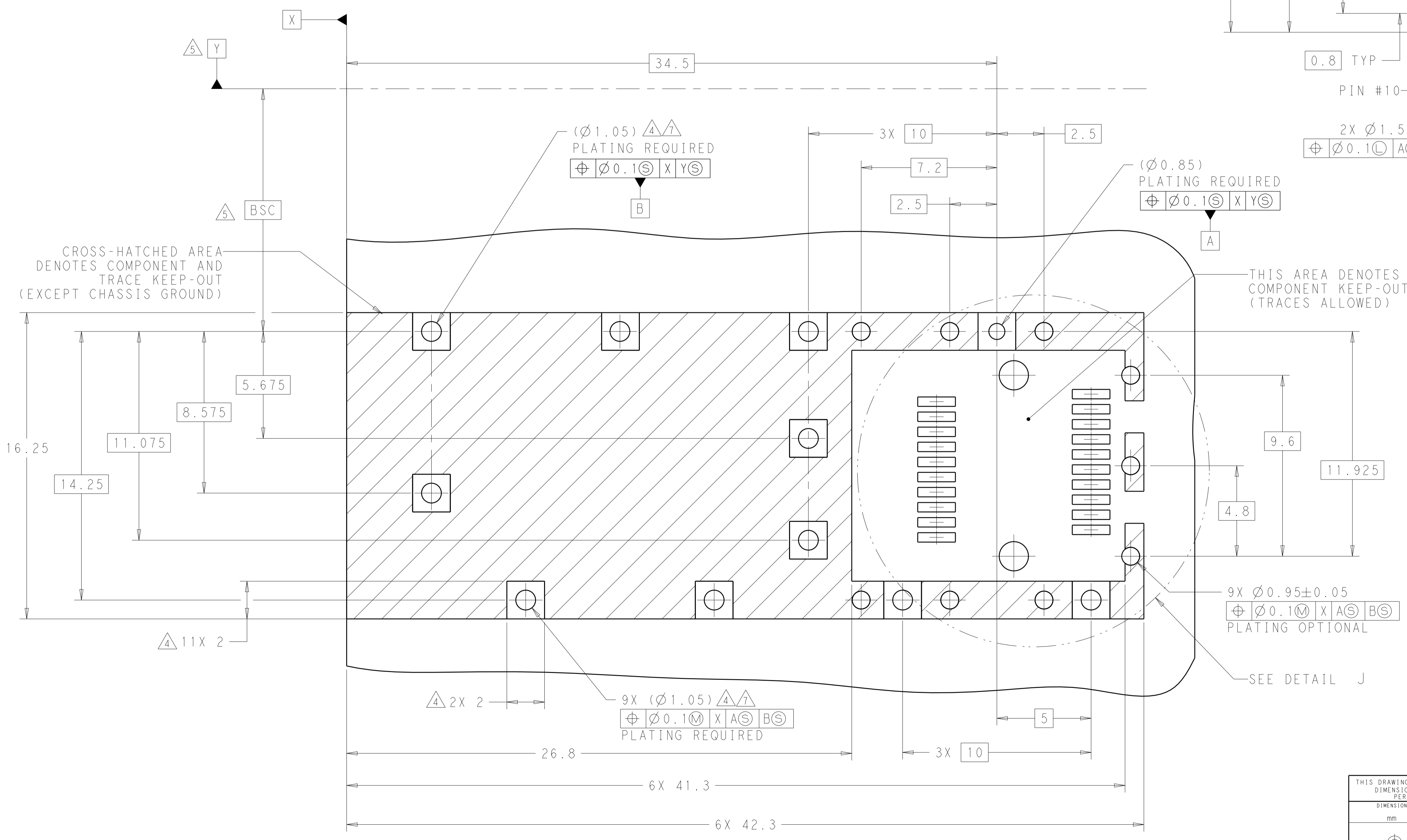
2227317-5  
PART NUMBER

|  |        |                                  |  |
|--|--------|----------------------------------|--|
| THIS DRAWING IS A CONTROLLED DOCUMENT. DIMENSIONING AND TOLERANCING PER ASME Y14.5M-2009 |        | DWN<br>C. VALENTINE<br>07NOV2012 | TE Connectivity<br>NAME<br>SFP, 1X1 SINGLE PIECE CAGE, W/ LIGHT PIPES, PRESS FIT |
| DIMENSIONS: mm   |        | CHK<br>M. SCHMITT<br>07NOV2012   |  |
| TOLERANCES UNLESS OTHERWISE SPECIFIED:   |        | APVD<br>M. SCHMITT<br>07NOV2012  | PRODUCT SPEC   |
| 0 PLC  | ±      | 108-1950                         | APPLICATION SPEC   |
| 1 PLC  | ±0.2   | 114-13120                        | RESTRICTED TO  |
| 2 PLC  | ±0.1   | 114-13120                        | Customer Drawing   |
| 3 PLC  | ±0.1   | 114-13120                        | SCALE 6:1  |
| 4 PLC  | ±      | 114-13120                        | SHEET 3 OF 4   |
| ANGLES   | ±      | 114-13120                        | REV A2   |
| MATERIAL   | FINISH | WEIGHT                           |  |

| LOC | DIST | REV | DATE | DWN | APVD |
|-----|------|-----|------|-----|------|
| GP  | 00   |     |      |     |      |



DETAIL J SCALE 8:1



|  |      |                             |   |
|--|------|-----------------------------|---|
| THIS DRAWING IS A CONTROLLED DOCUMENT. DIMENSIONING AND TOLERANCING PER ASME Y14.5M-2009 |      | DWN: C. VALENTINE 07NOV2012 | TE Connectivity   |
| DIMENSIONS: mm   |      | CHK: M. SCHMITT 07NOV2012   |   |
| TOLERANCES UNLESS OTHERWISE SPECIFIED:   |      | APVD: M. SCHMITT 07NOV2012  | NAME: SFP, 1X1 SINGLE PIECE CAGE, W/ LIGHT PIPES, PRESS FIT |
| 0 PLC  | ±    | PRODUCT SPEC                | SIZE: 108-1950  |
| 1 PLC  | ±0.2 | APPLICATION SPEC            | SCALE: 1:1  |
| 2 PLC  | ±0.1 | 114-13120                   | SHEET 4 OF 4  |
| 3 PLC  | ±0.1 | WEIGHT                      | REV A2  |
| 4 PLC  | ±    | Customer Drawing            |   |
| ANGLES   | ±    |                             |   |

# Mouser Electronics

Authorized Distributor

Click to View Pricing, Inventory, Delivery & Lifecycle Information:

[TE Connectivity:](#)

[2227317-1](#)